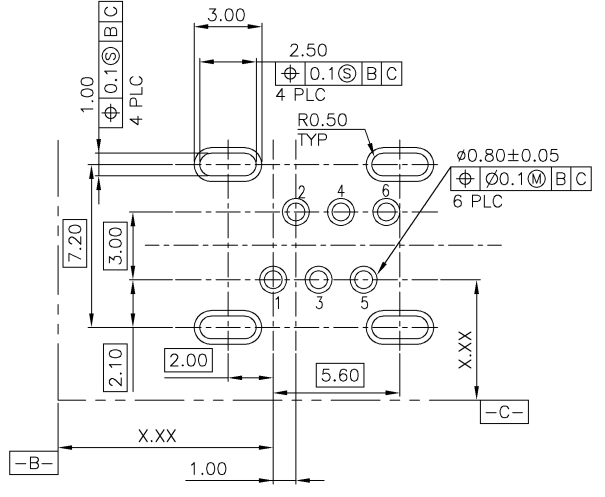
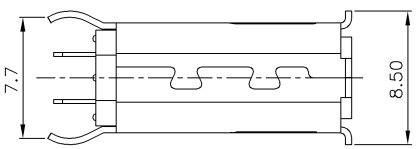
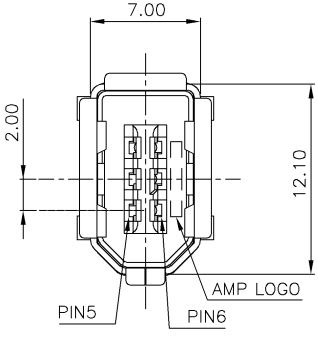
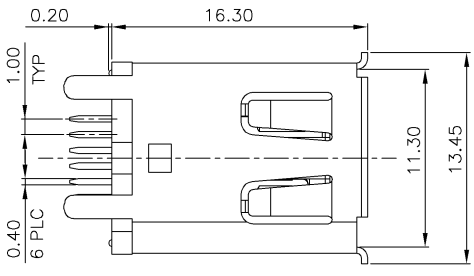
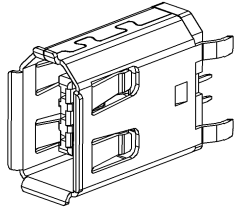
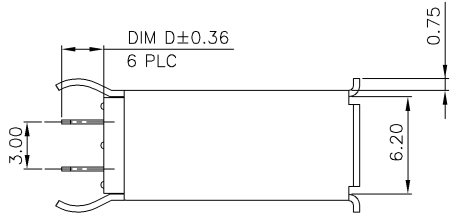


NUMBER C-1734290
METRIC
3RD ANGLE PROJECTION



RECOMMENDED PCB LAYOUT

- NOTES:
- MATERIAL:
HOUSING : THERMOPLASTIC HIGH TEMP., UL94V-0, COLOR: BLACK
CONTACT : BRASS, THICKNESS=0.25mm.
SHELL : PHOSPHOR BRONZE, THECKNESS=0.40mm.
 - FINISH :
CONTACT : 30u" MIN. GOLD PLATED ON CONTACT AREA, 100u" MIN. TIN-Cu PLATING ON SOLDERTAILS, 50u" MIN. NICKEL UNDERPLATED ALL OVER.
SHELL : 120u" MIN NICKEL PLATED ALL OVER 100u" MIN. Cu UNDERPLATED ALL OVER.
 - REFLOW SOLDER CAPABLE TO 260°C PER TYCO SPEC 109-201, CONDITION B.

3.18	1734290-2
2.69	1734290-1
DIM D	PART NUMBER

TOLERANCES UNLESS OTHERWISE SPECIFIED: 0 PLC ± 0.38 1 PLC ± 0.25 2 PLC ± 0.13 3 PLC ± 0.05 ANGLES ± 3°	DWN	O. HU 23-DEC-2005		TYCO HOLDINGS (BERMUDA) VII LTD. TAIWAN BRANCH	
	CHK	S. HOU 23-DEC-2005		NAME	
MATERIAL	APVD	W.J. KE 23-DEC-2005	IEEE 1394, RCPT, 6P VERTICAL, T/H		
SEE NOTE	PRODUCT SPEC	108-57599	LOC	SIZE	DRAWING NO
FINISH	QUALIFICATION TEST REPORT	501-57651	DW	A ₃	C-1734290
SEE NOTE	WEIGHT	2.62 gram	SCALE		SHEET
					1 OF 2

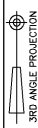
0	FIRST RELEASED		OH	25DEC	
LTR	REVISION RECORD	ECN	DWN	CHK	DATE

THIS INFORMATION IS CONFIDENTIAL AND IS RELEASED TO YOU ON CONDITION THAT NO FURTHER DISCLOSURE IS MADE BY YOU TO OTHER THAN AMP PERSONNEL WITHOUT DIMENSIONS IN MILLIMETERS. DO NOT SCALE PRINT.

PRINT DIST
DW

8 | 7 | 6 | 5 | 4 | 3 | 2 | 1
CUSTOMER DRAWING

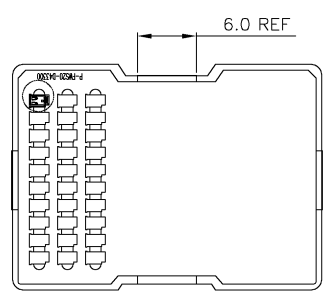
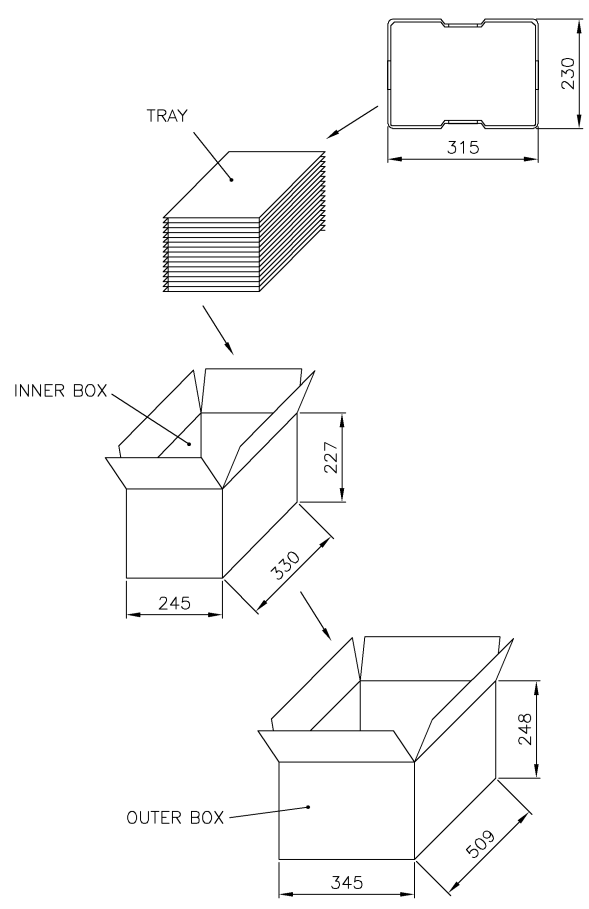
NUMBER C-1734290



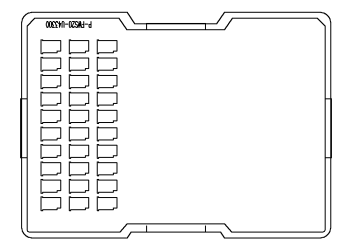
METRIC

THIS INFORMATION IS CONFIDENTIAL AND IS RELEASED TO YOU ON CONDITION THAT NO FURTHER DISCLOSURE IS MADE BY YOU TO OTHER THAN AMP PERSONNEL WITHOUT DIMENSIONS IN MILLIMETERS. DO NOT SCALE PRINT.

PRINT DW



(BOTTOM COVER)



(TOP COVER)

15.0	14.0	4000	20	100
N.W(KGS)	N.W(KGS)	PACKAGING QTY'S/ OUTER BOX	TRAYS/ INNER BOX	PCS/ TRAY
TOLERANCES UNLESS OTHERWISE SPECIFIED:		DWN	O. HU	TYCO HOLDINGS (BERMUDA) VII LTD. TAIWAN BRANCH
0 PLC ±	1 PLC ±	23-DEC-2005	S. HOU	
2 PLC ±	3 PLC ±	23-DEC-2005	W.J. KE	IEEE 1394, RCPT, 6P VERTICAL, T/H
ANGLES ±		23-DEC-2005	23-DEC-2005	
MATERIAL		APVD	PRODUCT SPEC	LOC SIZE DRAWING NO DW A ₃ C-1734290 SCALE SHEET -- 2 OF 2
SEE SHEET 1.		QUALIFICATION TEST REPORT	WEIGHT	
FINISH		SEE SHEET 1.		

SEE SHEET 1.				
LTR	REVISION RECORD	ECN	DWN/CHK	DATE

CUSTOMER DRAWING