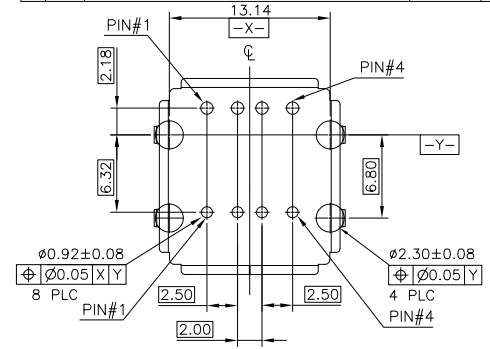
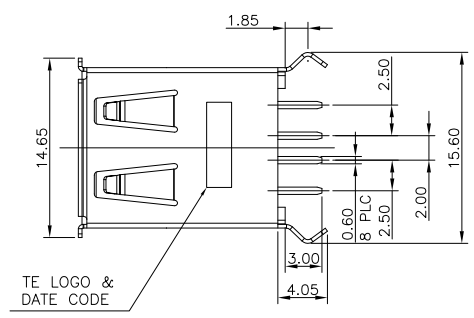
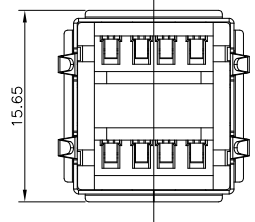
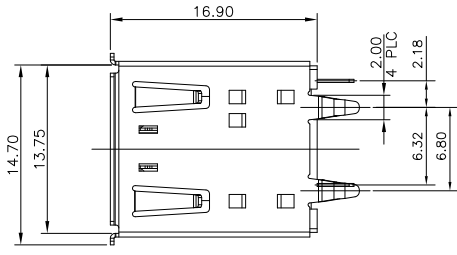
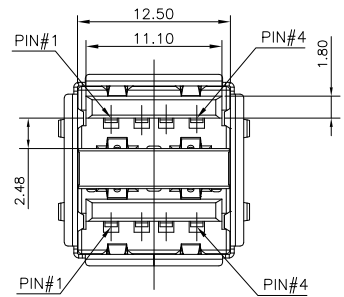


THIS DRAWING IS UNPUBLISHED. RELEASED FOR PUBLICATION AUG 2006
 © COPYRIGHT BY TYCO ELECTRONICS CORPORATION. ALL RIGHTS RESERVED.

LOC	DIST	REVISIONS				
P	LTR	DESCRIPTION	DATE	DWN	APVD	
B		REVISED.(ECR-09-006498)	20MAR09	FY	WK	
B1		REVISED PER ECO-09-024927	03DEC09	KK	AEG	



RECOMMEND P.C.B LAYOUT THICKNESS=1.6mm
 (COMPONENT SIDE) TOLERANCES:0.05mm



- NOTES:
- MATERIAL:
 HOUSING: (SEE TABLE) WITH 30% GF, UL 94V-0, BLACK COLOR
 CONTACT: BRASS, (t=0.25±0.05mm).
 SHIELD: BRASS, (t=0.30±0.05mm).
 GROUNDING STRIP: SUS. (T=0.20±0.05mm).
 - FINISH :
 CONTACT: (SEE TABLE) GOLD PLATING ON CONTACT AREA,
 3.048um [120u"] MIN. BRIGHT TIN PLATING ON SOLDERTAILS
 1.27um [50u"] MIN. NICKEL UNDERPLATING ALL OVER.
 SHIELD: 0.762um [30u"] MIN. NICKEL PLATING OVER
 2.54um [100u"] MIN Cu.
- ⚠ WAVE SOLDER CAPABLE TO 265°C PER TEST SPEC.
 109-202, CONDITION B.
- ⚠ REFLOW SOLDER CAPABLE TO 260°C PER TE TEST SPEC.
 109-201, CONDITION B.

⚠ 5 OBSOLETE PARTS: OBSOLETE CIS STREAMLINING PER D.RENAUD/D.SINISI

PA9T	△ 50u"	1-1775066-3
	△ 30u"	△ 1-1775066-2
	△ G/F	1-1775066-1
PBT	△ 50u"	1775066-3
	△ 30u"	△ 1775066-2
	△ G/F	1775066-1
HSG. MATERIAL	GOLD PLATING	PART NUMBER

THIS DRAWING IS A CONTROLLED DOCUMENT.

DIMENSIONS: MM	TOLERANCES UNLESS OTHERWISE SPECIFIED: 0 PLC ± - 1 PLC ± 0.25 2 PLC ± 0.20 3 PLC ± - 4 PLC ± - ANGLES ± 3'	DWN F. YANG 20MAR2009	CHK S. CHIEN 20MAR2009	APVD W. KODAMA 20MAR2009	NAME 108-57505 QUALIFICATION TEST REPORT 501-57611 WEIGHT 4.57 GRAMS	Tyco Electronics Corporation Taipei, Taiwan		USB CONNECTOR, STACKED, VERTICAL, DIP, A TYPE
MATERIAL SEE NOTE	FINISH SEE NOTE	PRODUCT SPEC 108-57505 QUALIFICATION TEST REPORT 501-57611 WEIGHT 4.57 GRAMS		SIZE A3 00779		DRAWING NO C=1775066		RESTRICTED TO 1 of 2 REV B1

CUSTOMER DRAWING SCALE SHEET 1 of 2 REV B1