

4

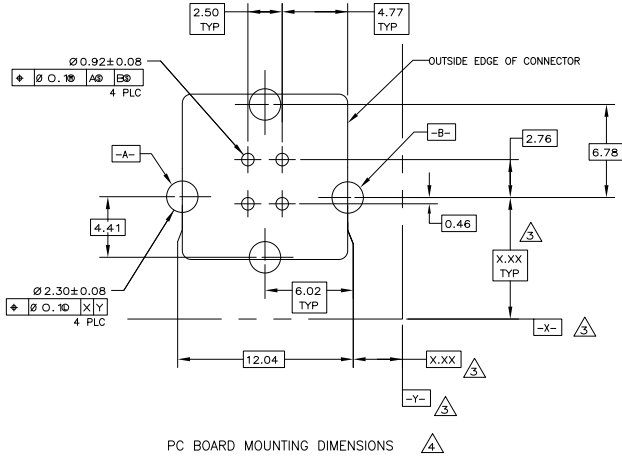
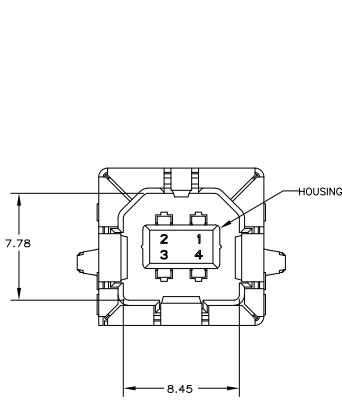
3

2

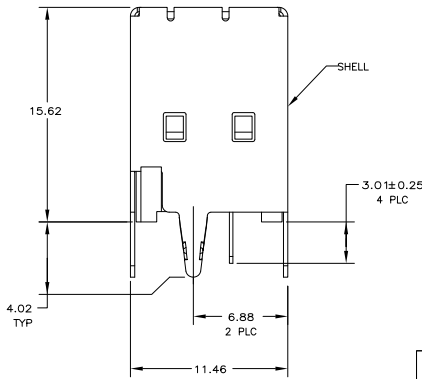
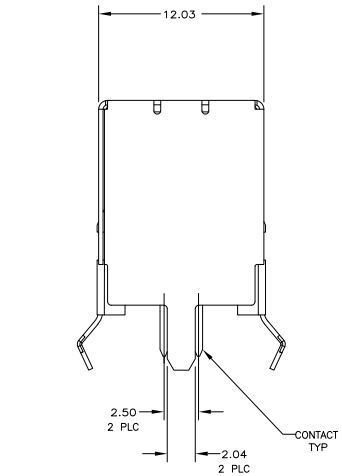
1

THIS DRAWING IS UNPUBLISHED. RELEASED FOR PUBLICATION. ALL RIGHTS RESERVED.

LOC	DIST	REVISIONS					
ES	00	F	LR	DESCRIPTION	DATE	BY	APPD
		P		REVISED PER ECO-11-005033	26MAR11	RK	HMR



LEAD FREE



- 1 SHELL & CONTACTS - PHOSPHOR BRONZE.  
HOUSING - POLYESTER, UL 94V-0 RATED, BLACK.
- 2 CONTACTS - 0.076µm MINIMUM GOLD OVER 0.76µm MINIMUM PALLADIUM-NICKEL ON MATING AREA, 3.8µm MINIMUM TIN ON SOLDER TAILS, BOTH OVER 1.27µm MINIMUM NICKEL.  
CONTACT ALTERNATE PLATING: 0.76µm MINIMUM GOLD ON MATING AREA, 3.80µm MINIMUM TIN ON SOLDER TAILS, BOTH OVER 1.27µm MINIMUM NICKEL.  
SHELL - 2~5µm TIN.
- 3 DATUM AND BASIC DIMENSIONS ESTABLISHED BY CUSTOMER.
- 4 RECOMMENDED PC BOARD THICKNESS OF 1.57.
- 5 CONTACTS - 0.38µm MINIMUM GOLD ON MATING AREA, 3.8µm MINIMUM TIN ON SOLDER TAILS, BOTH OVER 1.27µm MINIMUM NICKEL.  
SHELL - 2~5µm TIN.

5788336	5788336-2
5788336	5788336-1
FINISH	PART NO.

THIS DRAWING IS A CONTROLLED DOCUMENT.		DRN	LEO_ZHOU	OSNOV4	TE Connectivity
		CHK	STEVEN_YAO	OSNOV4	
		APPD	JIENOMOTO	OSNOV4	RECEPTACLE ASSY, 4 POSN, VERTICAL, THRU-HOLE, TYPE B, UNIVERSAL SERIAL BUS
		PRODUCT SPEC			
		APPLICATION SPEC			RESTRICTED TO
		WEIGHT			SIZE
		MATERIAL	FINISH		QAGE CODE
					DRAWING NO.
					A200779
					C=5788336
					SCALE
					5:1
					SHEET
					1 of 1
					REV
					P