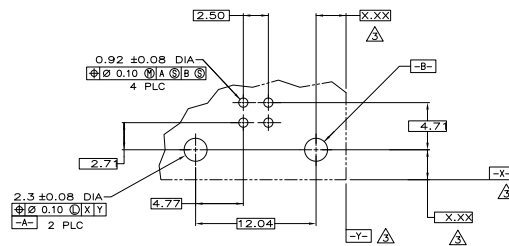
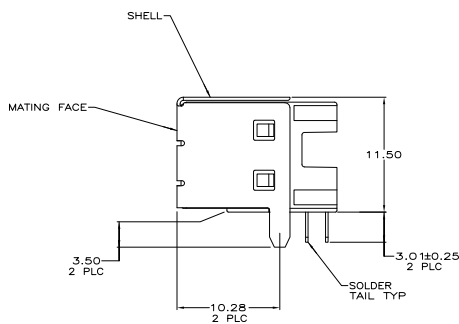
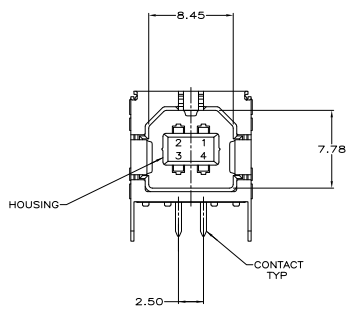
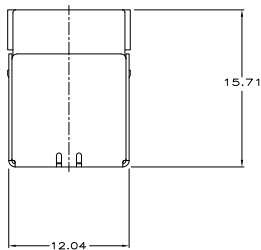


| REV | DATE | DESCRIPTION                 | BY      | CHK | APP |
|-----|------|-----------------------------|---------|-----|-----|
| J   | 00   |                             |         |     |     |
| H   |      | REVISED PER EC DS13-0489-03 | OSLANKA | JG  | JG  |
| H1  |      | REVISED PER ECO-10-000443   | RAMRHO  | KK  | JMR |

- △ CONTACTS: COPPER ALLOY.
- △ SHELL: COPPER ALLOY.
- △ HOUSING: UL 94V-0 RATED THERMOPLASTIC, COLOR: SEE TABLE.
- △ CONTACTS: 0.076µm MINIMUM GOLD OVER 0.76µm MINIMUM PALLADIUM NICKEL ON MATING AREA.
- △ 3.80µm MINIMUM TIN-LEAD ON SOLDER TAILS
- △ ALL OVER 1.27µm MINIMUM NICKEL.
- △ SHELL: 5.10µm MINIMUM BRIGHT TIN.
- △ DATUM AND BASIC DIMENSIONS ESTABLISHED BY CUSTOMER.
- △ RECOMMENDED PC BOARD THICKNESS 1.57.
- △ CONTACTS: 0.076µm MINIMUM GOLD OVER 0.76µm MINIMUM PALLADIUM NICKEL ON MATING AREA.
- △ 3.80µm MINIMUM TIN-LEAD ON SOLDER TAILS
- △ ALL OVER 1.27µm MINIMUM NICKEL.
- △ SHELL: 1.27µm MINIMUM NICKEL ALL OVER, MATTE TIN DIPPED ON TAILS.
- △ OBSOLETE PARTS: OBSOLETE CIS STREAMLINING PER D.RENAUD/D.SINISI



RECOMMENDED PC BOARD MOUNTING DIMENSIONS

|          |     |   |         |          |
|----------|-----|---|---------|----------|
| OBSOLETE | YES | △ | BLACK   | 787924-4 |
|          | NO  | △ | BLACK   | 787924-3 |
| OBSOLETE | YES | △ | NATURAL | 787924-2 |
|          | YES | △ | BLACK   | 787924-1 |

|                             |        |               |             |
|-----------------------------|--------|---------------|-------------|
| HIGH TEMPERATURE COMPATIBLE | FINISH | HOUSING COLOR | PART NUMBER |
|-----------------------------|--------|---------------|-------------|

|  |                  |   |                |
|--|------------------|---|----------------|
| AMP INCORPORATED<br>1000 W. STATE ST. BROOKLYN, NY 11201   |                  | AMP INCORPORATED<br>Harrisburg, PA 17105-3608 |                |
| DATE: 12 10 80   | BY: J. HAMPTON   | DATE: 12 10 80                                | BY: J. HAMPTON |
| DESCRIPTION: RECEPTACLE ASSEMBLY, RIGHT ANGLE, 4 POSITION, THRU-HOLE, TYPE B, UNIVERSAL SERIAL BUS | SIZE: A1         | QTY: 00779                                    | REV: 787924    |
| OTHER: SEE TABLE   | CUSTOMER DRAWING | SCALE: 5:1                                    | SHEET: 1 OF 1  |