

RECOMMENDED PCB LAYOUT
PCB THICKNESS=1.57mm

NOTES:

- MATERIAL:
HOUSING: THERMOPLASTIC HIGH TEMP, GLASS FIBER FILLED.
UL 94V-0 RATED, COLOR: SEE TABLE.
CONTACT: BRASS, THICKNESS=0.25mm.
SHELL: PHOSPHOR BRONZE, THICKNESS=0.40mm.
BACK SHELL: STEEL, THICKNESS=0.30mm.
- FINISH :
CONTACT: 30 μ" MIN. GOLD PLATING ON CONTACT AREA,
120 μ" MIN. TIN-Cu PLATING ON SOLDER TAILS,
50 μ" MIN. NICKEL UNDERPLATING OVERALL.
SHELL: 100 μ" MIN. NICKEL PLATING OVER 100 μ" MIN. Cu UNDERPLATED.
BACK SHELL: 100 μ" MIN. NICKEL PLATING OVER 100 μ" MIN. Cu UNDERPLATED.
- REFLOW SOLDER CAPABLE TO 260°C PER TYCO SPEC 109-201, CONDITION B.

REEL	NATURAL	1-1734368-2
	BLACK	1-1734368-1
TUBE	NATURAL	1734368-2
	BLACK	1734368-1
PACKAGE	HSG. COLOR	PART NUMBER

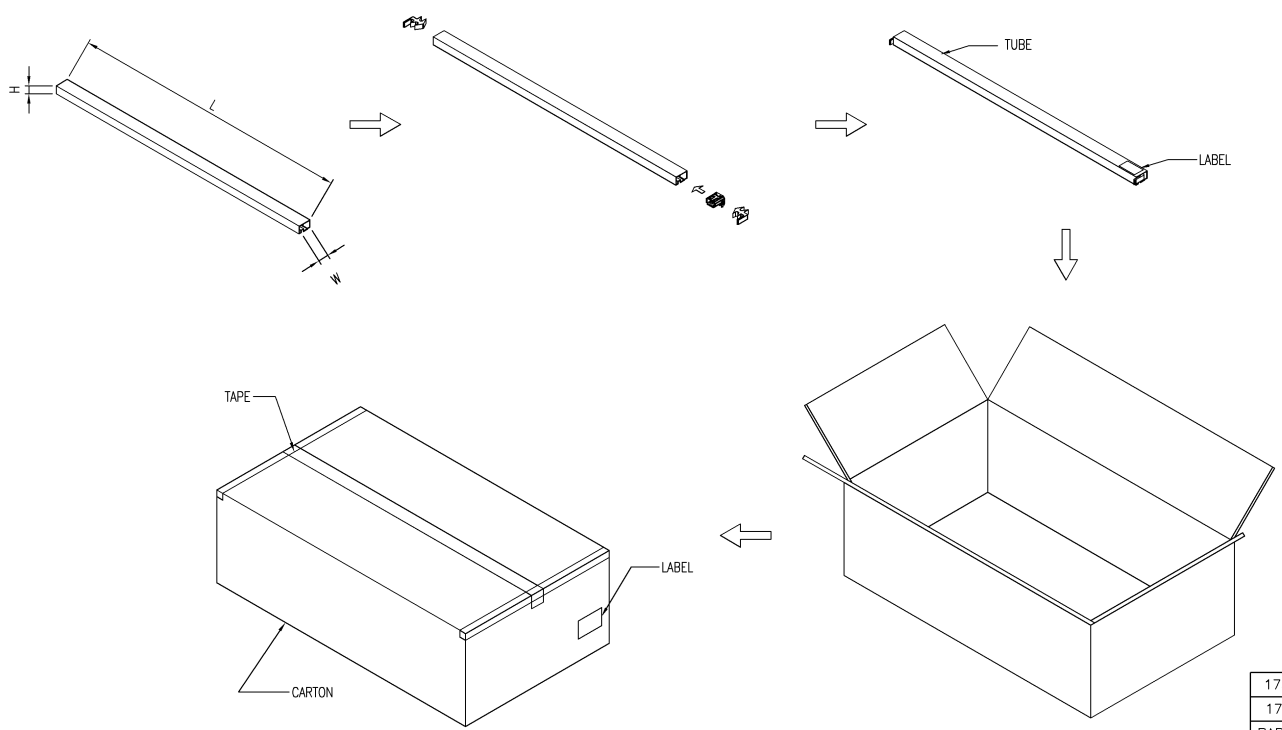
TOLERANCES UNLESS OTHERWISE SPECIFIED: 0 PLC ± 0.50 1 PLC ± 0.38 2 PLC ± 0.25 3 PLC ± 0.05 ANGLES ± 3°	DWN	O. HU 25-MAY-2005	 TYCO HOLDINGS (BERMUDA) VII LTD. TAIWAN BRANCH NAME
	CHK	S. HOU 25-MAY-2005	
MATERIAL	APVD	W.J. KE 25-MAY-2005	SOCKET ASSEMBLY, RIGHT ANGLE 6 POS. FLAT SMT, IEEE 1394
SEE NOTE	PRODUCT SPEC	108-57559	
FINISH	QUALIFICATION TEST REPORT	501-57651	LOC DW
SEE NOTE	WEIGHT	2.25g	SCALE
			SIZE A ₃
			DRAWING NO C-1734368
			REV O
			SHEET 1 OF 3

0	FIRST RELEASED	OH	27MAY
LTR	REVISION RECORD	DWN	2005
		CHK	DATE

THIS INFORMATION IS CONFIDENTIAL AND IS RELEASED TO YOU ON CONDITION THAT NO FURTHER DISCLOSURE IS MADE BY YOU TO OTHER THAN AMP PERSONNEL WITHOUT DIMENSIONS IN MILLIMETERS. DO NOT SCALE PRINT.

PRINT DIST
DW

NUMBER C-1734368
 3RD ANGLE PROJECTION
 METRIC



THIS INFORMATION IS CONFIDENTIAL AND IS RELEASED TO YOU ON CONDITION THAT NO FURTHER DISCLOSURE IS MADE BY YOU TO OTHER THAN AMP PERSONNEL WITHOUT DIMENSIONS IN MILLIMETERS. DO NOT SCALE PRINT.

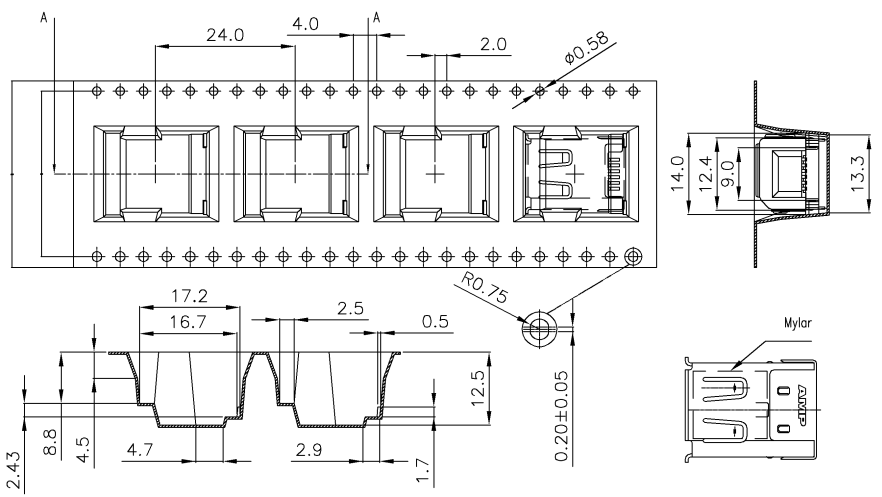
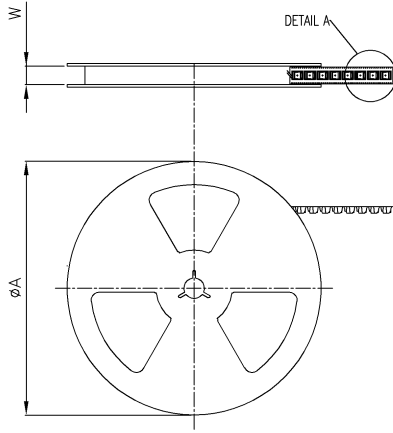
- NOTE:
- MATERIAL:
 TUBE : PS.
 SHIPPING CARTON : CORRUGATED FIBERBOARD.
 - DIMENSION:
 TUBE : L=400, W=19.9, H=16.5mm.
 SHIPPING CARTON : L=419.1, W=162.4, H=162.4mm.
 - QUANTITY:
 PRIMARY PACKING : 29 PCS/TUBES
 SECONDARY PACKING : 40 TUBES/CARTON(1160PCS).
 - WEIGHT:
 NET WEIGHT : 2.6kg.
 GROSS WEIGHT : 3.8kg.

1734368-2
 1734368-1
 PART NUMBER

TOLERANCES UNLESS OTHERWISE SPECIFIED: 0 PLC ± 1 PLC ± 2 PLC ± 3 PLC ± ANGLES ±	DWN	O. HU 25-MAY-2005	tyco Electronics TYCO HOLDINGS (BERMUDA) VII LTD. TAIWAN BRANCH			
	CHK	S. HOU 25-MAY-2005				
MATERIAL SEE SHEET 1.	APVD	W.J. KE 25-MAY-2005	NAME SOCKET ASSEMBLY, RIGHT ANGLE 6 POS. FLAT SMT, IEEE 1394			
	PRODUCT SPEC					
FINISH SEE SHEET 1.	QUALIFICATION TEST REPORT		LOC	SIZE	DRAWING NO	REV
	WEIGHT		DW	A ₃	C-1734368	O
			SCALE	SHEET		
			--	2 OF 3		

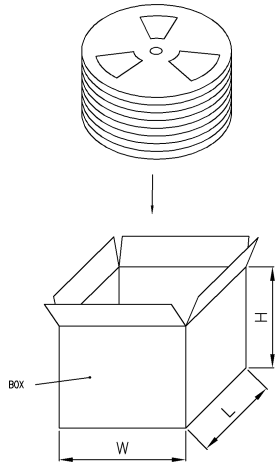
SEE SHEET 1.				
LTR	REVISION RECORD	ECN	DWN/CHK	DATE

CUSTOMER DRAWING 1

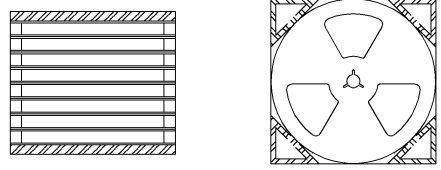


SECTION A-A

- NOTE:
- MATERIAL:
EMBOSSED CARRIER :PS .
COVER TAPE : PET.
SHIPPING CARTON : CORRUGATED FIBERBOARD.
 - DIMENSION:
REEL : W=32, φA=330mm.
SHIPPING CARTON : L=348, W=348, H=340mm.
 - QUANTITY:
PRIMARY PACKING : 200 PCS/REEL.
SECONDARY PACKING : 8 REEL/CARTON(1,600PCS).
 - WEIGHT:
NET WEIGHT : 9.5kg.
GROSS WEIGHT : 10.5kg.
 - PEELING RESISTANCE :10gf ~130gf
 - PEELING SPEED : 300 mm/minutes.



PACKING BOX



1-1734368-2
1-1734368-1
PART NUMBER

TOLERANCES UNLESS OTHERWISE SPECIFIED: 0 PLC ± 1 PLC ± 2 PLC ± 3 PLC ± ANGLES ±	DWN	O. HU 25-MAY-2005	tyco Electronics NAME	TYCO HOLDINGS (BERMUDA) VII LTD. TAIWAN BRANCH		
	CHK	S. HOU 25-MAY-2005				
MATERIAL	SEE SHEET 1.	APVD	W.J. KE 25-MAY-2005	SOCKET ASSEMBLY, RIGHT ANGLE 6 POS. FLAT SMT, IEEE 1394		
FINISH	SEE SHEET 1.	QUALIFICATION TEST REPORT	LOC	SIZE	DRAWING NO	REV
		WEIGHT	DW	A ₃	C-1734368	O
			SCALE	--	SHEET	3 OF 3

LTR	SEE SHEET 1.	ECN	DWN/CHK	DATE
	REVISION RECORD			

THIS INFORMATION IS CONFIDENTIAL AND IS RELEASED TO YOU ON THE CONDITION THAT NO FURTHER DISCLOSURE WILL BE MADE BY YOU TO OTHER THAN AMP PERSONNEL WITHOUT DIMENSIONS IN MILLIMETERS. DO NOT SCALE PRINT.