

4

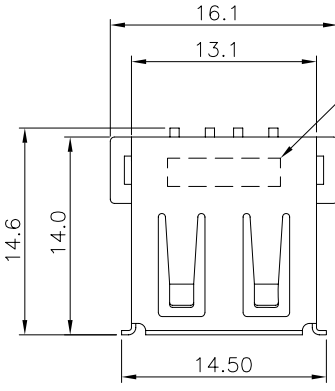
3

2

1

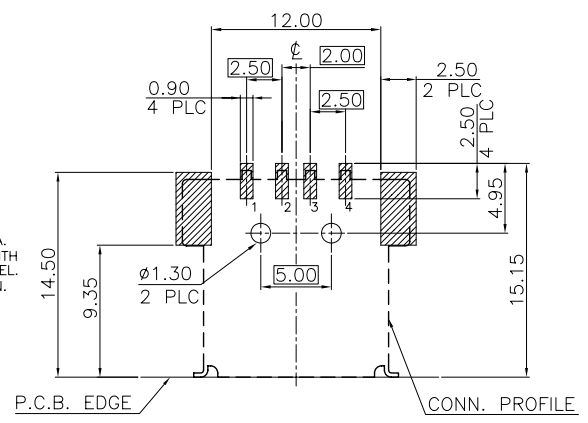
THIS DRAWING IS UNPUBLISHED. RELEASED FOR PUBLICATION AUG. 2006.
 © COPYRIGHT 2009 BY TYCO ELECTRONICS CORPORATION. ALL RIGHTS RESERVED.

LOC	DIST	REVISIONS			
P	LTR	DESCRIPTION	DATE	DWN	APVD
B		REVISED. (ECR-10-001494)	21JAN10	FY	WK

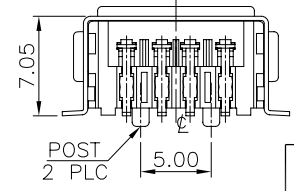
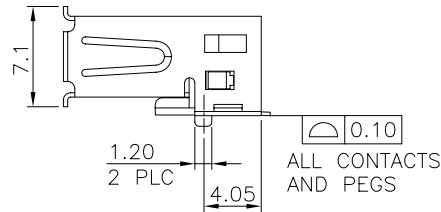
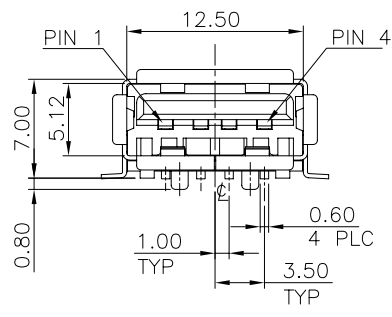


LOGO &
DATE CODE

- NOTES:
- MATERIAL:
HOUSING: THERMOPLASTIC WITH 30% GF, UL 94V-0, COLOR: (SEE TABLE).
CONTACTS: PHOSPHOR BRONZE, THICKNESS=0.25mm..
SHIELD: BRASS, THICKNESS=0.30mm.
 - FINISH:
CONTACT: 0.762µm [30µ"] MIN. GOLD PLATED ON CONTACT AREA.
3.048µm [120µ"] MIN. BRIGHT-TIN ON SOLDER TAIL, WITH ENTIRE CONTACT UNDERPLATED 1.27µm [50µ"] MIN. NICKEL.
SHIELD: 0.762µm [30µ"] MIN. NICKEL OVER 0.762µm [30µ"] MIN.
 - REFLOW SOLDER CAPABLE TO 260°C PER TE TEST SPEC. 109-201, CONDITION B.



RECOMMENDED P.C.B. LAYOUT (THICKNESS=1.6mm)
(TOP VIEW) TOLERANCES: ±0.05



W/	BLACK	1-1734082-2
	WHITE	1-1734082-1
W/O	BLACK	1734082-2
	WHITE	1734082-1
POST	COLOR	PART NUMBER

THIS DRAWING IS A CONTROLLED DOCUMENT.		DWN O. HU 20OCT2005	Tyco Electronics Corporation Taipei, Taiwan													
DIMENSIONS: MM		CHK S. HSU 20OCT2005														
TOLERANCES UNLESS OTHERWISE SPECIFIED:		APVD W.J. KE 20OCT2005	NAME													
<table border="1"> <tr><td>0 PLC</td><td>± -</td></tr> <tr><td>1 PLC</td><td>± 0.35</td></tr> <tr><td>2 PLC</td><td>± 0.25</td></tr> <tr><td>3 PLC</td><td>± 0.15</td></tr> <tr><td>4 PLC</td><td>± -</td></tr> <tr><td>ANGLES</td><td>± 3°</td></tr> </table>		0 PLC	± -	1 PLC	± 0.35	2 PLC	± 0.25	3 PLC	± 0.15	4 PLC	± -	ANGLES	± 3°	PRODUCT SPEC		USB CON, RCPT, ASS'Y, R/A SMT, A TYPE
0 PLC	± -															
1 PLC	± 0.35															
2 PLC	± 0.25															
3 PLC	± 0.15															
4 PLC	± -															
ANGLES	± 3°															
MATERIAL SEE NOTE		APPLICATION SPEC														
FINISH SEE NOTE		WEIGHT 1.82 GRAMS		RESTRICTED TO												
		CUSTOMER DRAWING		SIZE CAGE CODE DRAWING NO												
		A3 00779 C-1734082		SCALE SHEET 1 of 4 REV B												

4

3

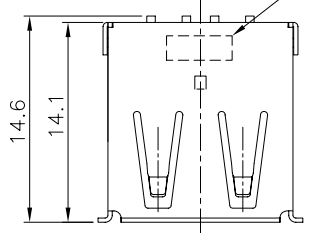
2

1

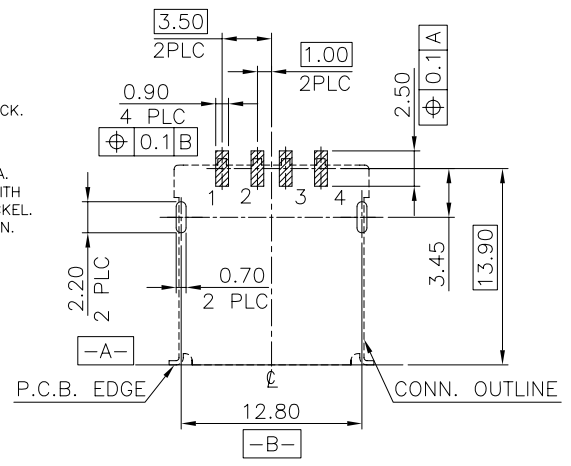
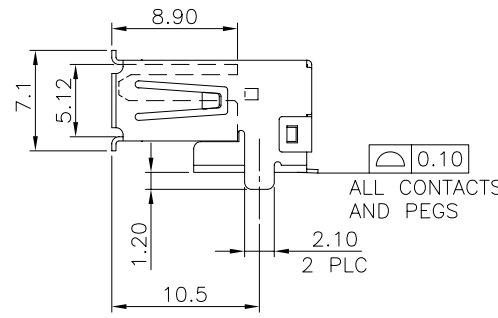
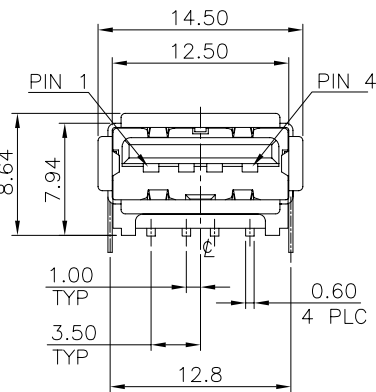
THIS DRAWING IS UNPUBLISHED. RELEASED FOR PUBLICATION AUG. 2006.
 ALL RIGHTS RESERVED.
 COPYRIGHT 2009 BY TYCO ELECTRONICS CORPORATION.

LOC	DIST	REVISIONS			
P	LTR	DESCRIPTION	DATE	DWN	APVD
SEE SHEET 1.					

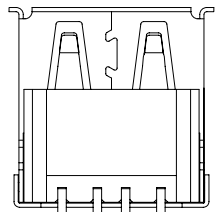
LOGO &
DATE CODE



- NOTES:
- MATERIAL:
HOUSING: THERMOPLASTIC WITH 30% GF, UL 94V-0, COLOR: BLACK.
CONTACTS: PHOSPHOR BRONZE, THICKNESS=0.25mm.
SHIELD: BRASS, THICKNESS=0.30mm.
 - FINISH:
CONTACT: 0.762 μ m [30 μ "] MIN. GOLD PLATED ON CONTACT AREA.
3.048 μ m [120 μ "] MIN. BRIGHT-TIN ON SOLDER TAIL, WITH ENTIRE CONTACT UNDERPLATED 1.27 μ m [50 μ "] MIN. NICKEL.
SHIELD: 0.762 μ m [30 μ "] MIN. NICKEL OVER 0.762 μ m [30 μ "] MIN.
3. REFLOW SOLDER CAPABLE TO 260°C PER TE TEST SPEC. 109-201, CONDITION B.



RECOMMEND P.C.B LAYOUT (THICKNESS=1.6mm)
(COMPONENT SIDE) TOLERANCE \pm 0.05



2-1734082-1
PART NUMBER

THIS DRAWING IS A CONTROLLED DOCUMENT.		DWN	Tyco Electronics Corporation Taipei, Taiwan													
DIMENSIONS: MM		CHK	NAME													
TOLERANCES UNLESS OTHERWISE SPECIFIED:		APVD	USB CON, RCPT, ASS'Y, R/A SMT, A TYPE													
<table border="1"> <tr><td>0 PLC</td><td>\pm -</td></tr> <tr><td>1 PLC</td><td>\pm 0.35</td></tr> <tr><td>2 PLC</td><td>\pm 0.25</td></tr> <tr><td>3 PLC</td><td>\pm 0.15</td></tr> <tr><td>4 PLC</td><td>\pm -</td></tr> <tr><td>ANGLES</td><td>\pm 3°</td></tr> </table>		0 PLC	\pm -	1 PLC	\pm 0.35	2 PLC	\pm 0.25	3 PLC	\pm 0.15	4 PLC	\pm -	ANGLES	\pm 3°	PRODUCT SPEC	SIZE CAGE CODE DRAWING NO	
0 PLC	\pm -															
1 PLC	\pm 0.35															
2 PLC	\pm 0.25															
3 PLC	\pm 0.15															
4 PLC	\pm -															
ANGLES	\pm 3°															
MATERIAL SEE NOTE		APPLICATION SPEC	A3 00779 C-1734082													
FINISH SEE NOTE		WEIGHT	RESTRICTED TO													
		CUSTOMER DRAWING	SCALE	SHEET 2 of 4 REV B												

4

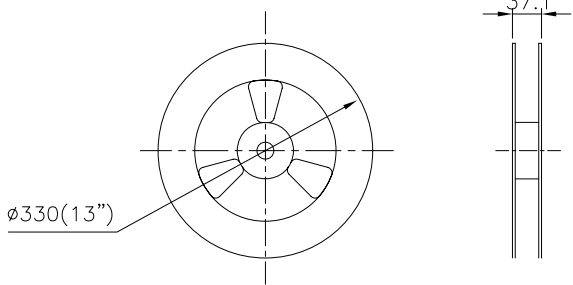
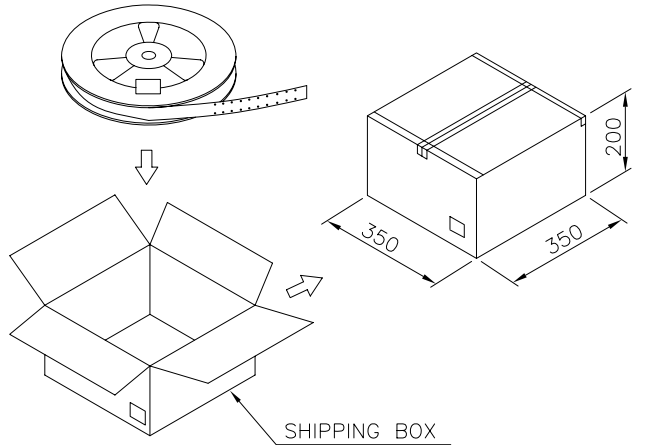
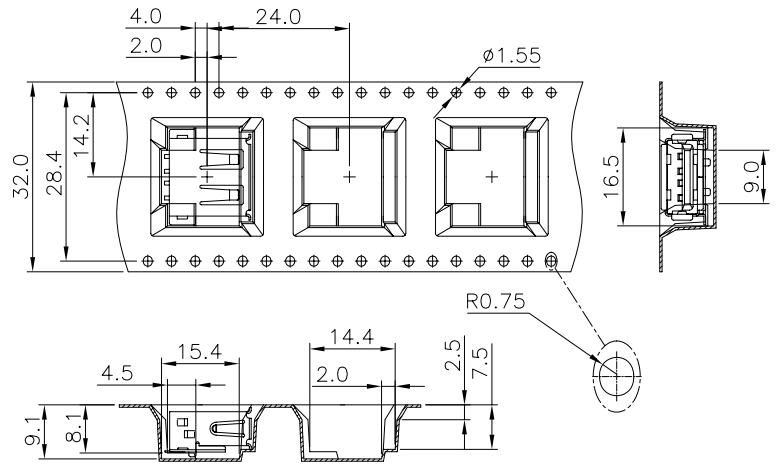
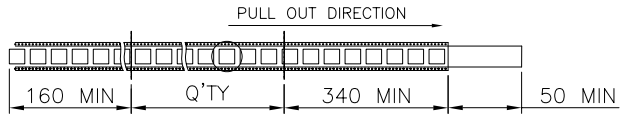
3

2

1

THIS DRAWING IS UNPUBLISHED. RELEASED FOR PUBLICATION AUG. 2006.
 © COPYRIGHT 2009 BY TYCO ELECTRONICS CORPORATION. ALL RIGHTS RESERVED.

LOC	DIST	REVISIONS			
P	LTR	DESCRIPTION	DATE	DWN	APVD
SEE SHEET 1.					



300	5	1500	5.36	2.73	1-1734082-2
					1-1734082-1
					1734082-2
					1734082-1
PCS/REEL	REELS/BOX	QUANTITY (PCS)	G/W (Kg)	N/W (Kg)	PART NUMBER

THIS DRAWING IS A CONTROLLED DOCUMENT.

DIMENSIONS: MM	TOLERANCES UNLESS OTHERWISE SPECIFIED:	0 PLC ± -	1 PLC ± -	2 PLC ± -	3 PLC ± -	4 PLC ± -	ANGLES ± -
MATERIAL	FINISH	<p>CHK _____</p> <p>APVD _____</p> <p>PRODUCT SPEC _____</p> <p>APPLICATION SPEC _____</p> <p>WEIGHT _____</p>					

Tyco Electronics Tyco Electronics Corporation
Taipei, Taiwan

NAME: USB CON, RCPT, ASS'Y, R/A SMT, A TYPE

SIZE: A3 CAGE CODE: 00779 DRAWING NO: 1734082 RESTRICTED TO: _____

CUSTOMER DRAWING SCALE: _____ SHEET: 3 of 4 REV: B

AMP 1470-19 REV 31MAR2000

4

3

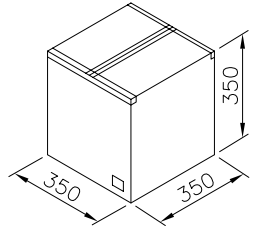
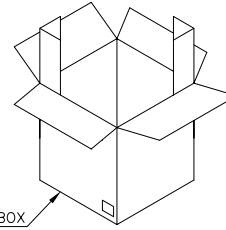
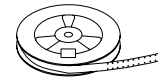
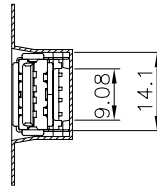
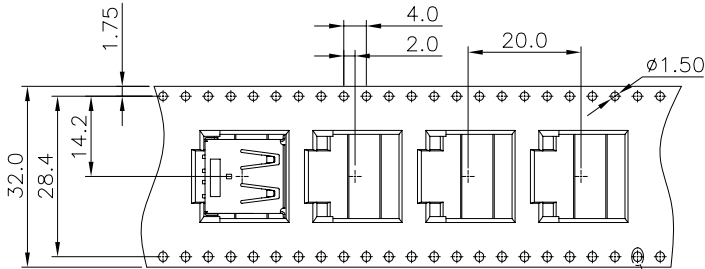
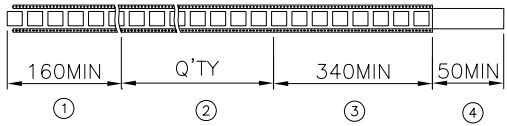
2

1

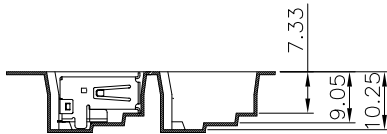
THIS DRAWING IS UNPUBLISHED. RELEASED FOR PUBLICATION AUG. 2006.
 © COPYRIGHT 2009 BY TYCO ELECTRONICS CORPORATION. ALL RIGHTS RESERVED.

LOC	DIST	REVISIONS			
P	LTR	DESCRIPTION	DATE	DWN	APVD
SEE SHEET 1.					

PULL OUT DIRECTION →



SHIPPING BOX



R0.75

37.1

$\phi 330(13")$

300	9	2700	12	5.94	2-1734082-1
PCS/REEL	REELS/CARTON	QUANTITY (PCS)	G/W (Kg)	N/W (Kg)	PART NUMBER

THIS DRAWING IS A CONTROLLED DOCUMENT.

DIMENSIONS:	TOLERANCES UNLESS OTHERWISE SPECIFIED:
MM	0 PLC ± -
	1 PLC ± -
	2 PLC ± -
	3 PLC ± -
	4 PLC ± -
MATERIAL	FINISH ± -

DWN	CHK
APVD	APVD
PRODUCT SPEC	PRODUCT SPEC
APPLICATION SPEC	APPLICATION SPEC
WEIGHT	WEIGHT
CUSTOMER DRAWING	CUSTOMER DRAWING

Tyco Electronics		Tyco Electronics Corporation Taipei, Taiwan	
NAME: USB CON, RCPT, ASS'Y, R/A SMT, A TYPE			
SIZE: A3	CAGE CODE: 00779	DRAWING NO: C-1734082	RESTRICTED TO: -
SCALE: -		SHEET: 4 of 4	REV: B