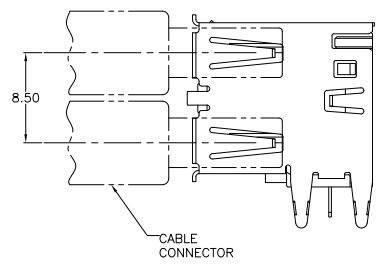
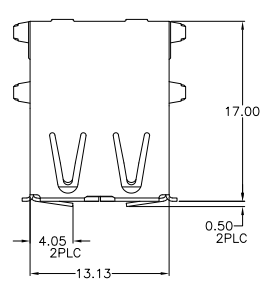
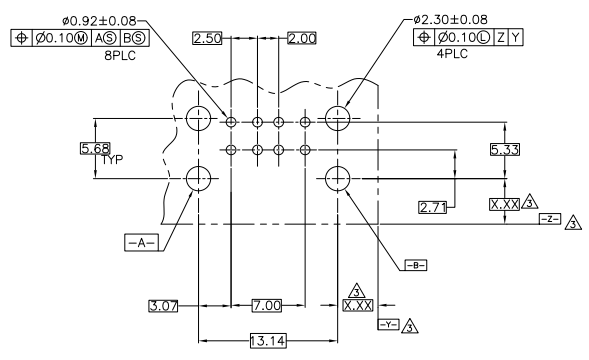
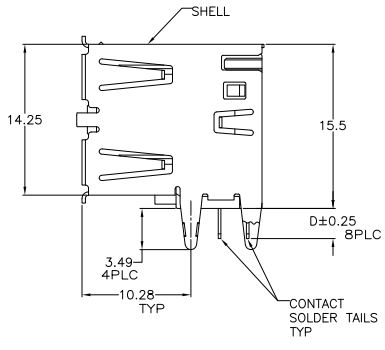
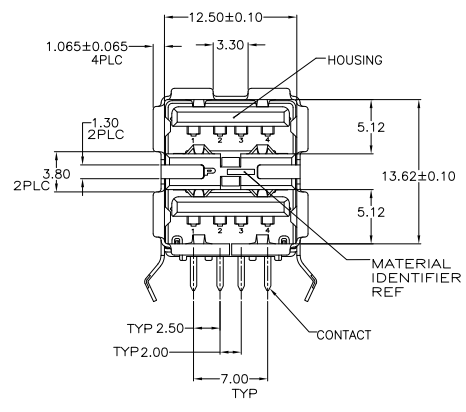


REV	DATE	DESCRIPTION	BY	CHK	APP
ES 00					
E		REVISED PER EDR-08-014128	DAKANG	A.L.	S.Y



- ⚠ MATERIAL:
SHELL & CONTACT—COPPER ALLOY
HOUSING—UL 94V-0 RATED, THERMOPLASTIC, SEE TABLE
- ⚠ PLATING:
CONTACT—0.076um MIN. GOLD OVER 0.76um MIN. PALLADIUM-NICKEL ON MATING AREA, OR CONTACT ALTERNATE PLATING 0.76um MIN. GOLD ON MATING AREA. 3.8um MIN. MATTE TIN ON SOLDER TAILS.
SHELL: 2~6.5um MIN. BRIGHT TIN.
- ⚠ DATUM AND BASIC DIMENSIONS ESTABLISHED BY CUSTOMER.
RECOMMENDED PC BOARD THICKNESS 1.57.



RECOMMENDED PC BOARD MOUNTING DIMENSIONS

NO	3.24	BLACK	292323-6
YES	2.29	BLACK	292323-5
YES	2.84	BLACK	292323-4
NO	2.84	NATURAL	292323-3
NO	2.29	BLACK	292323-2
NO	2.84	BLACK	292323-1

HIGH TEMPERATURE COMPATIBLE	D	HOUSING COLOR	PART NUMBER

THIS DRAWING IS A CONTROLLED DOCUMENT.		DESIGNED BY: CHENYI ZHANG	APPROVED BY: TIANWANG	DATE: 14-40054	REV: A1
DRAWING NO: 08-1586	ISSUE NO: 1	TYPED BY: CHENYI ZHANG		DATE: 14-40054	REV: A1
CUSTOMER DRAWING		DATE: 14-40054	REV: A1	00779	0-292323