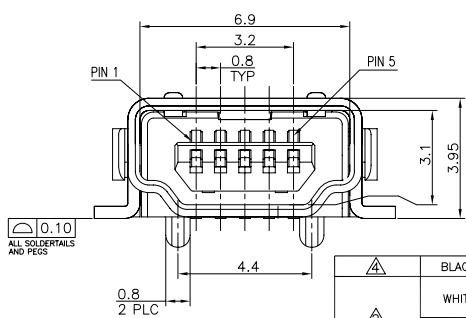
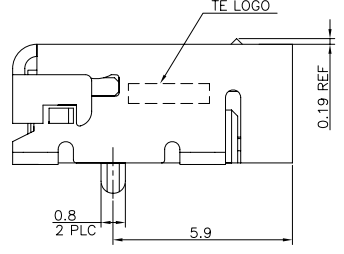
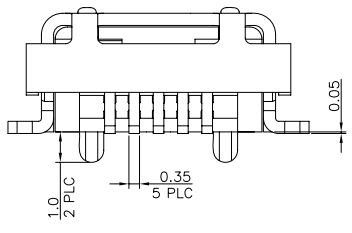
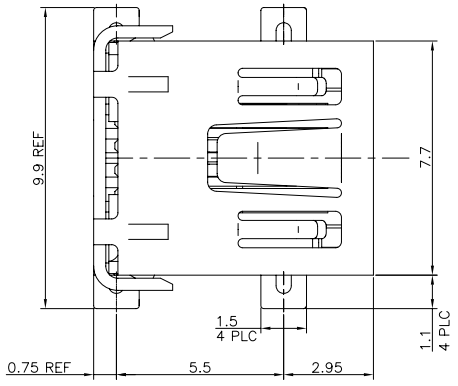


THIS DRAWING IS UNPUBLISHED. RELEASED FOR PUBLICATION AUG. 2006.  
 © COPYRIGHT BY TYCO ELECTRONICS CORPORATION. ALL RIGHTS RESERVED.

LOC	DIST	REVISIONS			
P	LTR	DESCRIPTION	DATE	DWN	APVD
C		ECR-08-030929 ; CHANGE MATERIAL FROM PA6T TO PA9T.	16DEC08	FY	WK

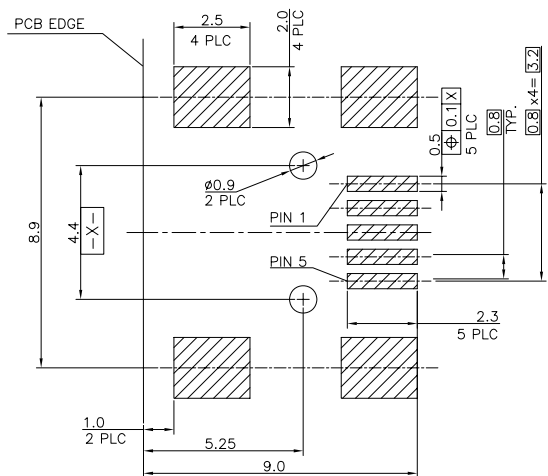


FINISH (SEE SHEET 2)	HSG. COLOR	PACKAGE	PART NUMBER
⚠	BLACK	REEL	2-1734327-2
	WHITE	REEL	1-1734327-2
	BLACK	TRAY	1-1734327-1
	BLACK	REEL	1734327-2
	BLACK	TRAY	1734327-1

THIS DRAWING IS A CONTROLLED DOCUMENT.		DWN F. YANG 16DEC2008	Tyco Electronics Corporation Taipei, Taiwan													
DIMENSIONS: MM		CHK S. CHIEN 16DEC2008	NAME													
TOLERANCES UNLESS OTHERWISE SPECIFIED:		APVD W. KODAMA 16DEC2008	PRODUCT SPEC													
<table border="1"> <tr><td>0 PLC</td><td>± 0.38</td></tr> <tr><td>1 PLC</td><td>± 0.25</td></tr> <tr><td>2 PLC</td><td>± 0.13</td></tr> <tr><td>3 PLC</td><td>± 0.05</td></tr> <tr><td>4 PLC</td><td>±</td></tr> <tr><td>ANGLES</td><td>± 3°</td></tr> </table>		0 PLC	± 0.38	1 PLC	± 0.25	2 PLC	± 0.13	3 PLC	± 0.05	4 PLC	±	ANGLES	± 3°	QUALIFICATION TEST REPORT		RESTRICTED TO
0 PLC	± 0.38															
1 PLC	± 0.25															
2 PLC	± 0.13															
3 PLC	± 0.05															
4 PLC	±															
ANGLES	± 3°															
MATERIAL: SEE SHEET 2		FINISH: SEE SHEET 2		SIZE: A3												
		WEIGHT: 0.76 GRAMS		CAGE CODE: 00779												
		CUSTOMER DRAWING		DRAWING NO: 1734327												
		SCALE: 1		SHEET 1 OF 4												
				REV C												

THIS DRAWING IS UNPUBLISHED. RELEASED FOR PUBLICATION AUG. 2006.  
 © COPYRIGHT BY TYCO ELECTRONICS CORPORATION. ALL RIGHTS RESERVED.

LOC		DIST		REVISIONS			
P	LTR	DESCRIPTION		DATE	DWN	APVD	
		SEE SHEET 1.					



RECOMMENDED PCB LAYOUT (MOUNTING SIDE)  
 (THICKNESS=1.57mm) (TOLERANCE=±0.05mm)

- NOTES:
- MATERIAL:  
 HOUSING: PA9T ,WITH 30% GF, UL 94V-0, COLOR: SEE TABLE.  
 CONTACT: PHOSPHOR BRONZE, THICKNESS:0.25±0.05mm.  
 SHELL: PHOSPHOR BRONZE, THICKNESS:0.40±0.05mm.
  - FINISH:  
 CONTACTS: 0.76μm [30μ'] MIN. GOLD PLATED ON CONTACT AREA,  
 2.54μm [100μ'] MIN. TIN-CU PLATED ON OLDER TAILS:  
 1.27μm [50μ'] MIN. NICKEL UNDERPLATED ALL OVER.  
 SHELL : 2.032μm [80μ'] MIN. NICKEL PLATED ALL OVER
  - REFLOW SOLDER CAPABLE TO 260°C PER TE SPEC 109-201  
 CONDITION B.
  - FINISH:  
 CONTACTS: 0.76μm [30μ'] MIN GOLD PLATED ON CONTACT AREA,  
 3.0μm [118μ'] MIN. MATTE-TIN PLATED ON SOLDER TAILS :  
 1.27μm [50μ'] MIN. NICKEL UNDERPLATED OVERALL.  
 SHELL : 0.76~2.28μm[30~90μ'] MATTE TIN  
 1.27μm[50μ'] NICKEL UNDERPLATED

THIS DRAWING IS A CONTROLLED DOCUMENT.		DWN	Tyco Electronics Corporation Taipei, Taiwan	
DIMENSIONS: MM		CHK	NAME	
TOLERANCES UNLESS OTHERWISE SPECIFIED:		APVD	MINI USB CONNECTOR A SERIES, RCPT, R/A, SMT TYPE	
0 PLC ±	1 PLC ±	PRODUCT SPEC	SIZE	CAGE CODE
2 PLC ±	3 PLC ±	APPLICATION SPEC	A3	00779
4 SDC ±	ANGLES ±	WEIGHT	DRAWING NO. ©=1734327	
MATERIAL	FINISH	CUSTOMER DRAWING	SCALE	SHEET 2 of 4
			RESTRICTED TO	REV C

4

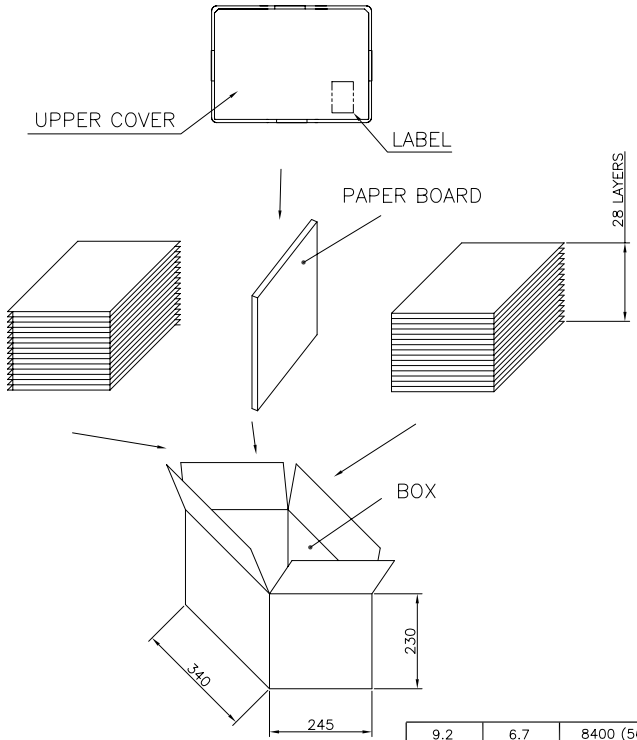
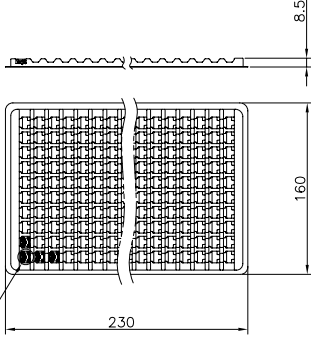
3

2

1

THIS DRAWING IS UNPUBLISHED. RELEASED FOR PUBLICATION AUG. 2006.  
 © COPYRIGHT BY TYCO ELECTRONICS CORPORATION. ALL RIGHTS RESERVED.

LOC	DIST	REVISIONS			
P	LTR	DESCRIPTION	DATE	DWN	APVD
		SEE SHEET 1.			

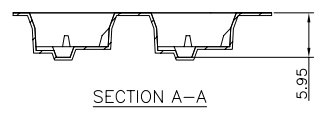
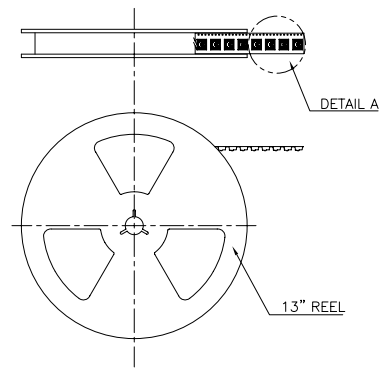
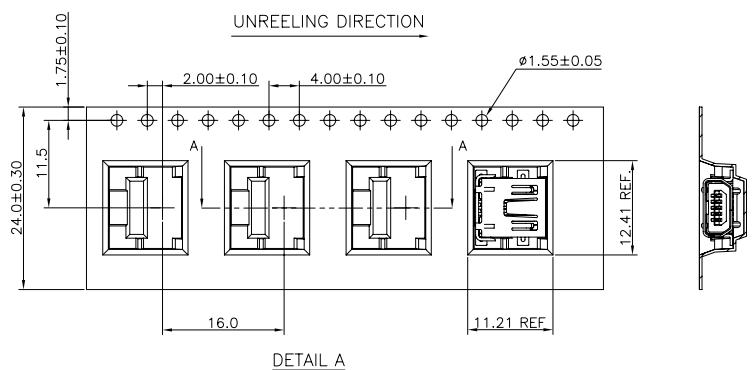


9.2	6.7	8400 (56 TRAYS)	150
G.W(KGS)	N.W(KGS)	QUANTITY/ BOX	PCS/ TRAY

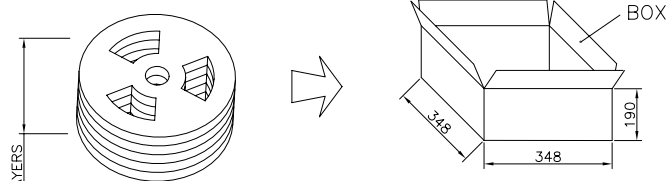
THIS DRAWING IS A CONTROLLED DOCUMENT.		DWN	Tyco Electronics Corporation Taipei, Taiwan	
DIMENSIONS:	TOLERANCES UNLESS OTHERWISE SPECIFIED:	CHK	NAME	
MM	0 PLC ±	APVD	MINI USB CONNECTOR A SERIES, RCPT, R/A, SMT TYPE	
	1 PLC ±	PRODUCT SPEC	SIZE	CAGE CODE
	2 PLC ±	APPLICATION SPEC	A3	00779
	3 PLC ±	WEIGHT	DRAWING NO. ©=1734327	
	4 SDC ±	CUSTOMER DRAWING	SCALE	SHEET
MATERIAL	FINISH			3 of 4
				REV C

THIS DRAWING IS UNPUBLISHED. RELEASED FOR PUBLICATION AUG. 2006.  
 © COPYRIGHT BY TYCO ELECTRONICS CORPORATION. ALL RIGHTS RESERVED.

LOC	DIST	REVISIONS			
P	LTR	DESCRIPTION	DATE	DWN	APVD
		SEE SHEET 1.			



- NOTES:  
 1. APPLICABLE DOCUMENT: EIA-481-2  
 2. PACKAGE: 700 PCS/REEL, 5 REELS/BOX  
 W.G.: 6.5Kg, N.G.: 5.5Kg  
 3. QUANTITY: 3500 PCS.



6.5	5.5	3500	700
G.W(KGS)	N.W(KGS)	QUANTITY/ BOX	PCS/ REEL

THIS DRAWING IS A CONTROLLED DOCUMENT.		DWN	Tyco Electronics Corporation Taipei, Taiwan	
DIMENSIONS: MM		CHK	NAME	
TOLERANCES UNLESS OTHERWISE SPECIFIED:		APVD	MINI USB CONNECTOR A SERIES, RCPT, R/A, SMT TYPE	
0 PLC	±	PRODUCT SPEC	SIZE CAGE CODE DRAWING NO	
1 PLC	±	APPLICATION SPEC	A3 00779 ©=1734327	
2 PLC	±	WEIGHT	RESTRICTED TO	
3 PLC	±	CUSTOMER DRAWING	SCALE SHEET 4 OF 4 REV C	
4 SDC	±			
ANGLES	±			
FINISH				