

4

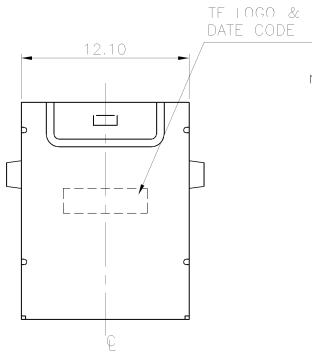
3

2

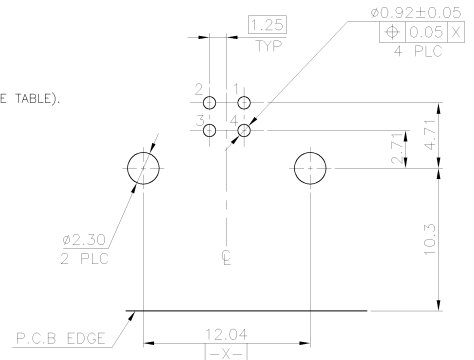
1

THIS DRAWING IS UNPUBLISHED. RELEASED FOR PUBLICATION AUG. 2006.  
 © COPYRIGHT 2009 BY TYCO ELECTRONICS CORPORATION. ALL RIGHTS RESERVED.

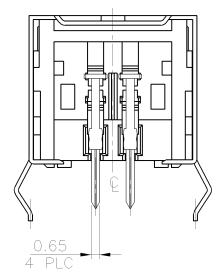
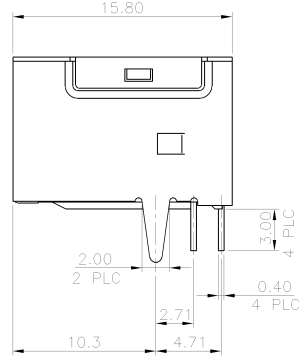
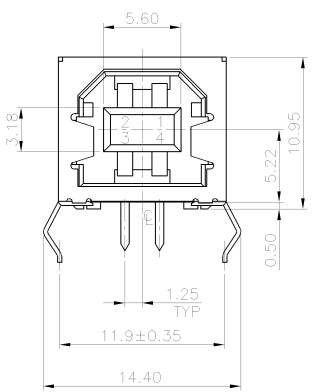
LOC	DIST	REVISIONS			
P	LTR	DESCRIPTION	DATE	DWN	APVD
	A	REVISED. (ECR-09-016224)	15JUL09	FY	WK



- NOTES:
- MATERIAL:**  
 HOUSING: THERMOPLASTIC (SEE TABLE), WITH 30% GF, UL 94V-0 RATED, COLOR: (SEE TABLE).  
 CONTACTS: PHOSPHOR BRONZE.  
 SHIELD: BRASS.
  - FINISH:**  
 CONTACT: 0.762μm [30μ"] MIN. GOLD PLATING ON CONTACT AREA.  
 3.048μm [120μ"] MIN. BRIGHT TIN PLATING ON SOLDER TAILS,  
 WITH ENTIRE CONTACT UNDERPLATED 1.27μm [50μ"] MIN. NICKEL.  
 SHIELD: 0.762μm [30μ"] MIN. NICKEL PLATING WITH 0.762μm [30μ"] MIN.  
 Cu UNDERPLATING OVERALL.
- ⚠️ REFLOW SOLDER CAPABLE TO 260°C PER TE SPEC 109-201, CONDITION B.  
 ⚠️ WAVE SOLDER CAPABLE TO 240°C PER TE SPEC 109-202, CONDITION A.



RECOMMEND P.C.B. LAYOUT (THICKNESS=1.6mm)  
 (COMPONENT SIDE) TOLERANCE±0.05



COLOR	HSG. MATERIAL	PART NUMBER
BLUE PANTONE (285C)	⚠️ PA46	1734086-4
WHITE	⚠️ PA46	1734086-3
BLACK	⚠️ PA46	1734086-2
WHITE	⚠️ PBT	1734086-1

THIS DRAWING IS A CONTROLLED DOCUMENT.		DWN F. YANG 15JUL2009	Tyco Electronics Corporation Taipei, Taiwan	
		CHK S. CHIEN 15JUL2009		
		APVD W. KODAMA 15JUL2009	NAME	
DIMENSIONS: MM 		PRODUCT SPEC <b>108-57549</b> APPLICATION SPEC		USB CONNECTOR, B TYPE, RIGHT ANGLE
TOLERANCES UNLESS OTHERWISE SPECIFIED: 0 PLC ± - 1 PLC ± 0.3 2 PLC ± 0.2 3 PLC ± 0.15 4 PLC ± - ANGLES ± °		WEIGHT 3.62 GRAMS CUSTOMER DRAWING		
MATERIAL SEE NOTE		FINISH SEE NOTE		RESTRICTED TO
		SIZE A3	CAGE CODE 00779	DRAWING NO C-1734086
		SCALE	SHEET 1 of 4	REV A

4

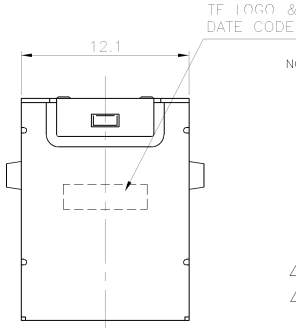
3

2

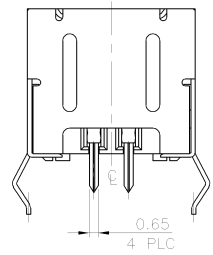
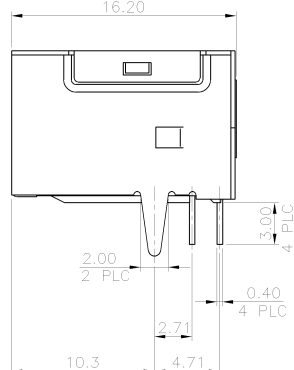
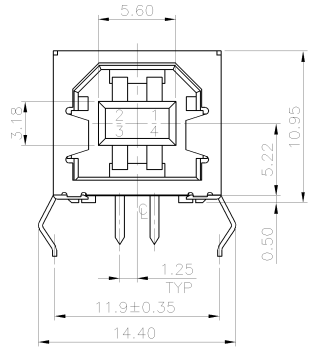
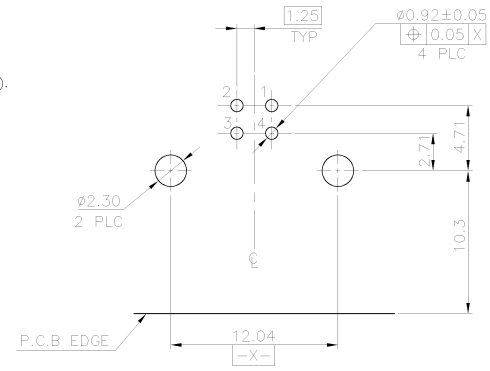
1

THIS DRAWING IS UNPUBLISHED. RELEASED FOR PUBLICATION AUG. 2006.  
 © COPYRIGHT 2009 BY TYCO ELECTRONICS CORPORATION. ALL RIGHTS RESERVED.

LOC	DIST	REVISIONS			
P	LTR	DESCRIPTION	DATE	DWN	APVD
SEE SHEET 1.					



NOTES:  
 1. MATERIAL:  
 HOUSING: THERMOPLASTIC (SEE TABLE), WITH 30% GF, UL 94V-0 RATED, COLOR: (SEE TABLE).  
 CONTACTS: PHOSPHOR BRONZE.  
 FRONT SHIELD: BRASS.  
 REAR SHIELD: SPCC.  
 2. FINISH:  
 CONTACT: 0.762µm [30µ"] MIN. GOLD PLATING ON CONTACT AREA.  
 3.048µm [120µ"] MIN. BRIGHT TIN PLATING ON SOLDER TAILS.  
 WITH ENTIRE CONTACT UNDERPLATED 1.27µm [50µ"] MIN. NICKEL.  
 FRONT SHIELD: 0.762µm [30µ"] MIN. NICKEL PLATING WITH 0.762µm [30µ"] MIN. Cu UNDERPLATING OVERALL.  
 REAR SHIELD: 0.762µm [30µ"] MIN. NICKEL PLATING WITH 0.762µm [30µ"] MIN. Cu UNDERPLATING OVERALL.  
 ⚠ REFLOW SOLDER CAPABLE TO 260°C PER TE SPEC 109-201, CONDITION B.  
 ⚠ WAVE SOLDER CAPABLE TO 240°C PER TE SPEC 109-202, CONDITION A.



BLACK	△ PA46	1-1734086-2
WHITE	△ PBT	1-1734086-1
COLOR	HSG. MATERIAL	PART NUMBER

THIS DRAWING IS A CONTROLLED DOCUMENT.		OWN	Tyco Electronics Corporation Taipei, Taiwan	
DIMENSIONS:	TOLERANCES UNLESS OTHERWISE SPECIFIED:	CHK	NAME	
MM	0 PLC ± - 1 PLC ± 0.3 2 PLC ± 0.2 3 PLC ± 0.15 4 PLC ± - ANGLES ± 3°	APVD	USB CONNECTOR, B TYPE, RIGHT ANGLE	
MATERIAL	FINISH	PRODUCT SPEC	SIZE	CAGE CODE
SEE NOTE	SEE NOTE	APPLICATION SPEC	A3	00779
		WEIGHT	DRAWING NO	
		3.62 GRAMS	C-1734086	
		CUSTOMER DRAWING	RESTRICTED TO	
		SCALE	SHEET	REV
			2 of 4	A

4

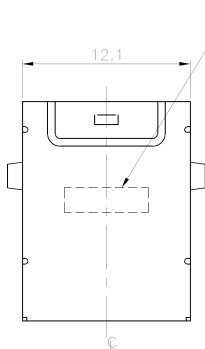
3

2

1

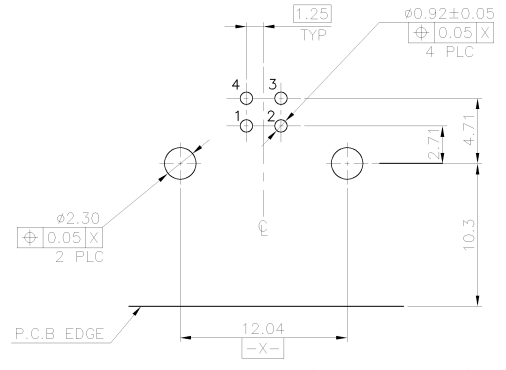
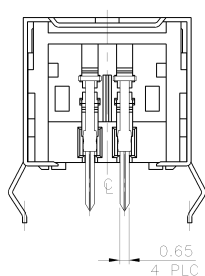
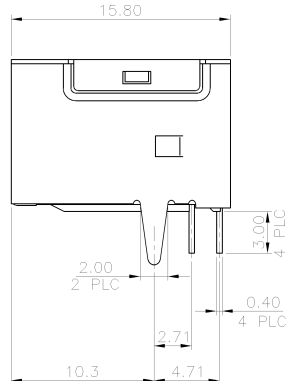
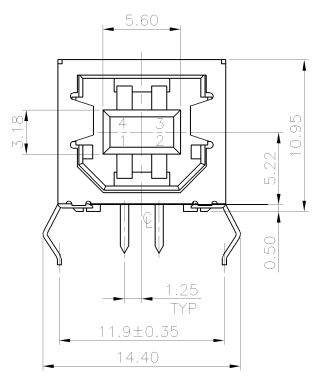
THIS DRAWING IS UNPUBLISHED. RELEASED FOR PUBLICATION AUG. 2006.  
 © COPYRIGHT 2009 BY TYCO ELECTRONICS CORPORATION. ALL RIGHTS RESERVED.

LOC	DIST	REVISIONS			
P	LTR	DESCRIPTION	DATE	DWN	APVD
SEE SHEET 1.					



TF LOGO &  
DATE CODE

- NOTES:
- MATERIAL:  
HOUSING: THERMOPLASTIC (SEE TABLE), WITH 30% GF, UL 94V-0 RATED,  
COLOR: (SEE TABLE).  
CONTACTS: PHOSPHOR BRONZE.  
SHIELD: BRASS.
  - FINISH:  
CONTACT: 0.762μm [30μ"] MIN. GOLD PLATING ON CONTACT AREA.  
3.048μm [120μ"] MIN. BRIGHT TIN PLATING ON SOLDER TAILS,  
WITH ENTIRE CONTACT UNDERPLATED 1.27μm [50μ"] MIN. NICKEL.  
SHIELD: 0.762μm [30μ"] MIN. NICKEL PLATING WITH  
0.762μm [30μ"] MIN. Cu UNDER PLATING OVERALL.
- ⚠ REFLOW SOLDER CAPABLE TO 260°C PER TE SPEC. 109-201, CONDITION B.  
 ⚠ WAVE SOLDER CAPABLE TO 240°C PER TE SPEC. 109-202, CONDITION A.



RECOMMEND P.C.B LAYOUT (THICKNESS=1.6mm)  
(COMPONENT SIDE) TOLERANCE±0.05

BLACK	△ PA46	2-1734086-2
WHITE	△ PBT	2-1734086-1
COLOR	HSG. MATERIAL	PART NUMBER

THIS DRAWING IS A CONTROLLED DOCUMENT.		DWN	Tyco Electronics Corporation Taipei, Taiwan	
DIMENSIONS:	TOLERANCES UNLESS OTHERWISE SPECIFIED:	CHK	NAME	
MM	0 PLC ± - 1 PLC ± 0.3 2 PLC ± 0.2 3 PLC ± 0.15 4 PLC ± - ANGLES ± 3°	APVD	USB CONNECTOR, B TYPE, RIGHT ANGLE	
MATERIAL	FINISH	PRODUCT SPEC	SIZE	CAGE CODE
SEE NOTE	SEE NOTE	APPLICATION SPEC	A3	00779
		WEIGHT	DRAWING NO	RESTRICTED TO
		3.62 GRAMS	C-1734086	-
		CUSTOMER DRAWING	SCALE	SHEET
			-	3 of 4
				REV A

4

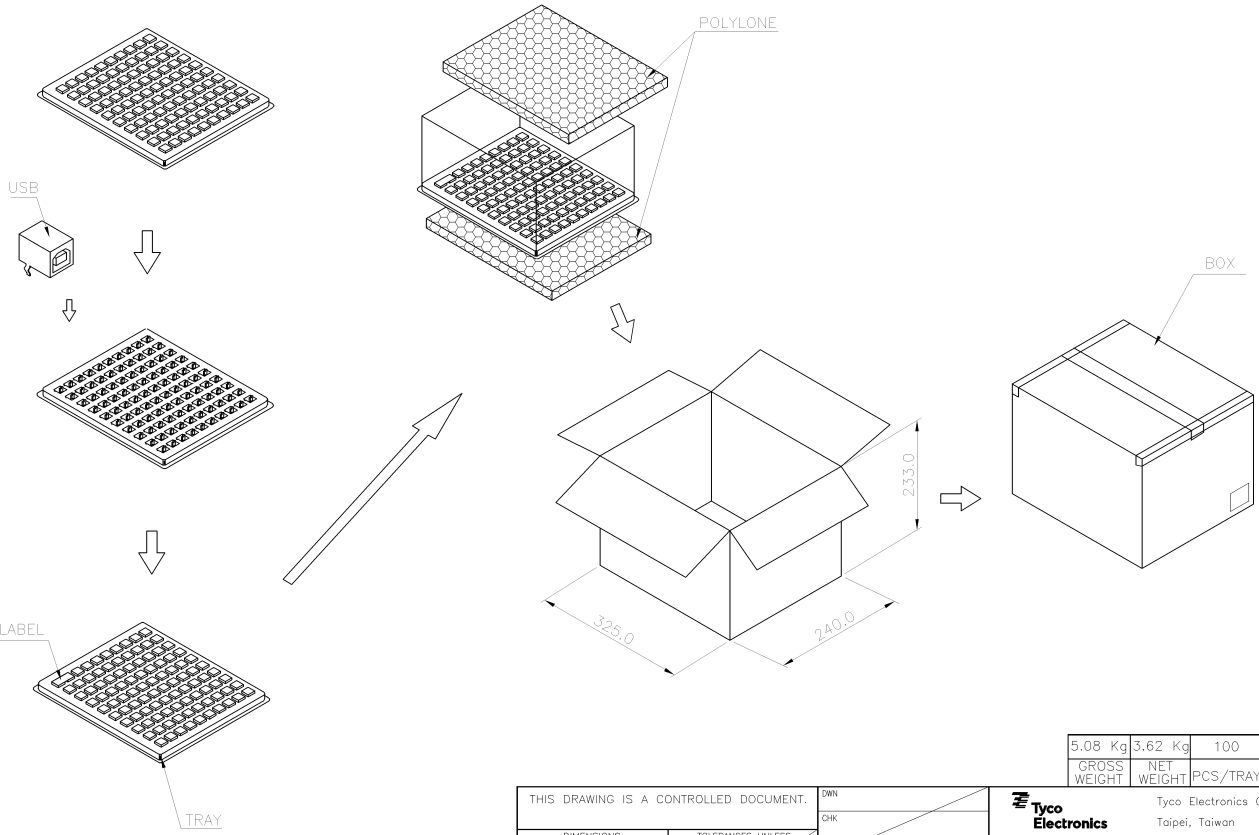
3

2

1

THIS DRAWING IS UNPUBLISHED. RELEASED FOR PUBLICATION AUG. 2006.  
 © COPYRIGHT 2009 BY TYCO ELECTRONICS CORPORATION. ALL RIGHTS RESERVED.

LOC		DIST		REVISIONS				
P	LTR	DESCRIPTION			DATE	DWN	APVD	
		SEE SHEET 1.						



5.08 Kg	3.62 Kg	100	10	1000 PCS
GROSS WEIGHT	NET WEIGHT	PCS/TRAY	TRAYS/BOX	QUANTITY

THIS DRAWING IS A CONTROLLED DOCUMENT.		OWN	Tyco Electronics Corporation Taipei, Taiwan		
DIMENSIONS: MM		CHK	NAME		
		APVD	PRODUCT SPEC		
0 PLC ± - 1 PLC ± - 2 PLC ± - 3 PLC ± - 4 PLC ± - ANGLES ± -		APPLICATION SPEC	SIZE CAGE CODE DRAWING NO		
MATERIAL		WEIGHT	A3	00779	C-1734086
FINISH		CUSTOMER DRAWING	SCALE	SHEET 4 of 4	REV A

AMP 1470-19 REV 31MAR2000