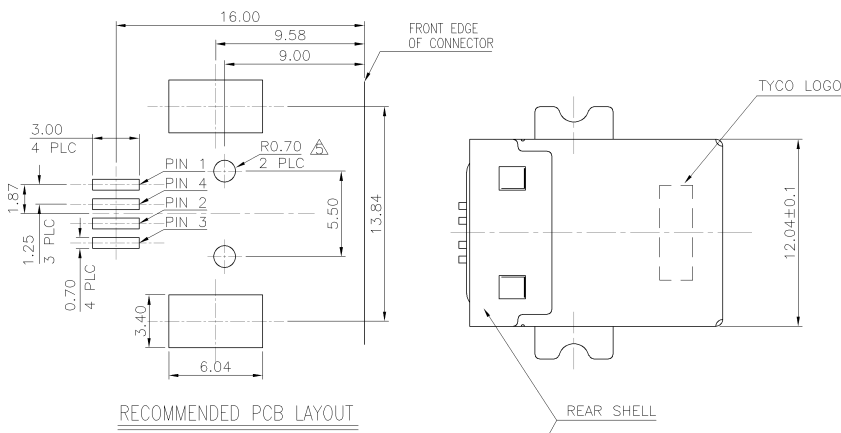
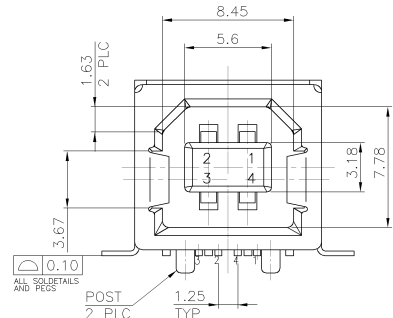
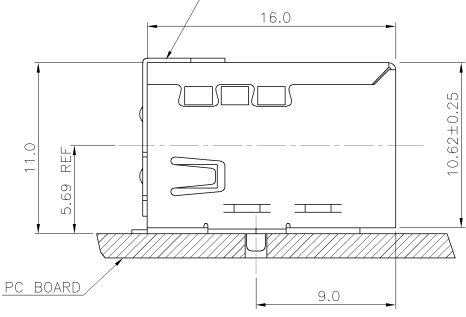
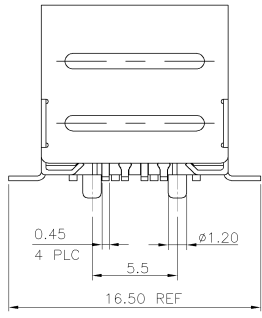


NUMBER C-1734346
METRIC
3RD ANGLE PROJECTION



RECOMMENDED PCB LAYOUT

- NOTE:
- MATERIAL:
HOUSING: NYLON 6T, WITH 30%GF, UL 94V-0, COLOR: BLACK.
CONTACT: PHOSPHOR BRONZE, THICKNESS=0.25mm.
SHELL: PHOSPHOR BRONZE, THICKNESS=0.30mm.
REAR SHELL: STAINLESS, THICKNESS=0.30mm.
 - FINISH:
CONTACT: Δ 30u" MIN. GOLD PLATED IN CONTACT AREA, Δ GOLD FLASH IN CONTACT AREA, 100u" MIN. TIN-Cu PLATED ON SOLDER TAILS, 50u" MIN. NICKEL UNDERPLATED ALL OVER. SHELL: 30u"~90u" NICKEL PLATED OVER ALL.
 - PANEL THICKNESS OF 2.67 mm MAXIMUM IF RECEPTACLE CONNECTOR IS MOUNTED BEHIND A PANEL.
 - REFLOW SOLDER CAPABLE TO 260°C PER TE SPEC 109-201, CONDITION B.
 Δ PLEASE REMOVE POST HOLE ON PCB.
 Δ NO EMBOSSED ON TOP SURFACE OF SHELL.
 Δ OBSOLETE PARTS: OBSOLETE CIS STREAMLINING PER D.RENAUD/D.SINISI



| REAR SHELL | PACKAGE | POST | FINISH | HS'S COLOR | PART NUMBER |
|------------|---------|----------|--------|------------|-------------|
| Δ | W/O | Δ | WHITE | Δ | 1734346-10 |
| Δ | W/O | Δ | BLACK | Δ | 1734346-7 |
| Δ | W/O | Δ | WHITE | Δ | 1734346-9 |
| Δ | W/O | Δ | BLACK | Δ | 1734346-4 |
| Δ | W/O | Δ | BLACK | Δ | 1734346-5 |
| Δ | W/O | Δ | WHITE | Δ | 1734346-6 |
| Δ | W/O | Δ | BLACK | Δ | 1734346-1 |
| Δ | W/O | Δ | WHITE | Δ | 1734346-3 |
| Δ | W/O | Δ | BLACK | Δ | 1734346-2 |
| Δ | W/O | Δ | WHITE | Δ | 1734346-8 |
| Δ | W/O | Δ | BLACK | Δ | 1734346-9 |
| Δ | W/O | Δ | WHITE | Δ | 1734346-4 |
| Δ | W/O | Δ | BLACK | Δ | 1734346-3 |
| Δ | W/O | Δ | WHITE | Δ | 1734346-8 |
| Δ | W/O | Δ | BLACK | Δ | 1734346-9 |
| Δ | W/O | Δ | WHITE | Δ | 1734346-4 |
| Δ | W/O | Δ | BLACK | Δ | 1734346-3 |
| Δ | W/O | Δ | WHITE | Δ | 1734346-8 |
| Δ | W/O | Δ | BLACK | Δ | 1734346-9 |

THIS INFORMATION IS CONFIDENTIAL AND IS DECIDED TO YOU ON CONDITION THAT NO FURTHER DISCLOSURE IS MADE BY YOU TO OTHER THAN AMP PERSONNEL WITHOUT DIMENSION IN MILLIMETERS. DO NOT SCALE PRINT.

| B2 | REVISED PER | ECN | DATE | CHK | DATE |
|-----|--------------------------------|---------------|------------|-----|------|
| B2 | REVISED PER ECC-10-000445 | | JAN10 | KK | |
| B1 | ADD PULL OUT DIRECTION ON REEL | ECR-07-018988 | 10AUG 2007 | OH | |
| B | CHANGE PLATING SPEC | ECR-05-014060 | 28OCT 2005 | OH | |
| LTR | REVISION RECORD | ECN | | DWN | |

| | | | |
|--|----------|---------------------------|-------------|
| TOLERANCES UNLESS OTHERWISE SPECIFIED: | DWN | O. HU | 10-AUG-2007 |
| 0 PLC | ±0.50 | CHK | S. HOU |
| 1 PLC | ±0.25 | | 10-AUG-2007 |
| 2 PLC | ±0.15 | | |
| 3 PLC | ±0.05 | | |
| ANGLES | ±3° | | |
| MATERIAL | SEE NOTE | APVD | W.J. KE |
| FINISH | SEE NOTE | PRODUCT SPEC | 10-AUG-2007 |
| | | QUALIFICATION TEST REPORT | 108-57538 |
| | | WEIGHT | 501-57618 |
| | | LOC | A3 |
| | | SIZE | DW |
| | | DRAWING NO | C-1734346 |
| | | REV | B2 |
| | | SCALE | 1 OF 3 |

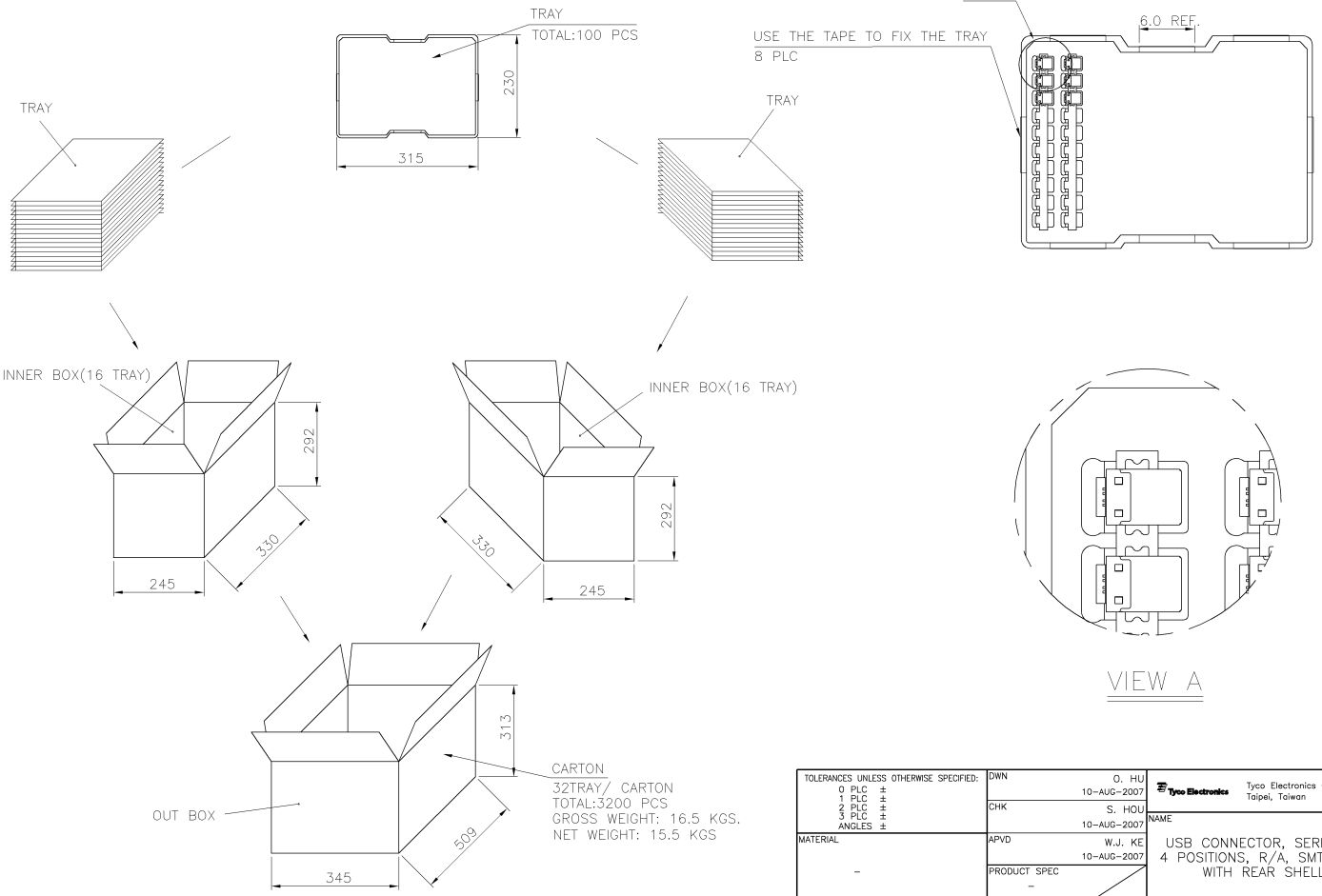
NUMBER C-1734346



METRIC

THIS INFORMATION IS CONFIDENTIAL AND IS DECLASSIFIED TO YOU ON CONDITION THAT NO FURTHER DISCLOSURE IS MADE BY YOU TO OTHER THAN AMP PERSONNEL WITHOUT DIMENSION IN MILLIMETERS. DO NOT SCALE PRINT.

PRINT DIST DW



| | | | | |
|--------------|-----------------|-----|---------|------|
| SEE SHEET 1. | | ECN | DWN_CHK | DATE |
| LTR | REVISION RECORD | | | |

| | | | | |
|--|------------------|---------|--|--------|
| TOLERANCES UNLESS OTHERWISE SPECIFIED: | DWN | O. HU | Tyco Electronics Corporation Taipai, Taiwan | |
| 0 PLC | 10-AUG-2007 | S. HOU | NAME | |
| 1 PLC | 10-AUG-2007 | W.J. KE | USB CONNECTOR, SERIES B, 4 POSITIONS, R/A, SMT TYPE, WITH REAR SHELL | |
| 2 PLC | 10-AUG-2007 | | LOC | SIZE |
| 3 PLC | 10-AUG-2007 | | DW | A3 |
| ANGLES | | | DRAWING NO | REV |
| | | | C-1734346 | B2 |
| MATERIAL | APVD | | SCALE | SHEET |
| - | | | -- | 2 OF 3 |
| FINISH | APPLICATION SPEC | | | |
| - | | | | |
| WEIGHT | | | | |

CUSTOMER DRAWING

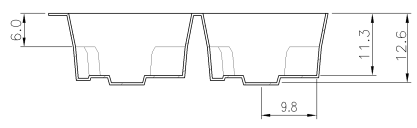
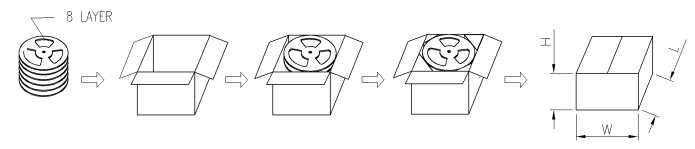
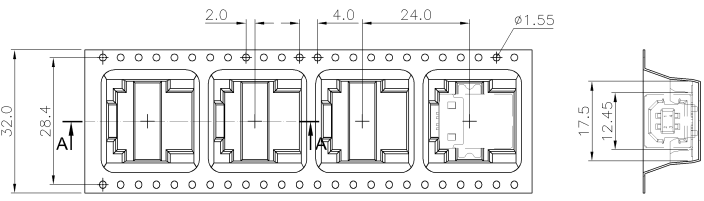
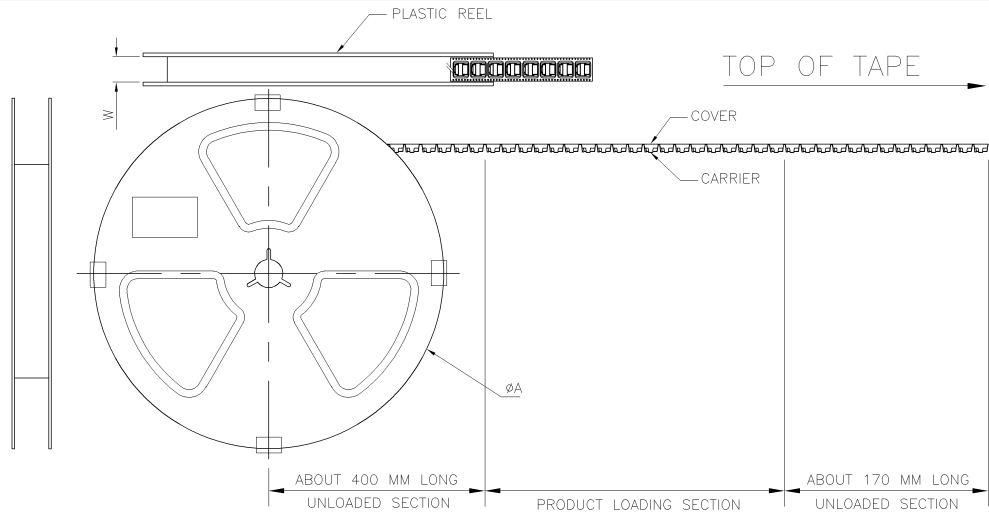
NUMBER C-1734346

3RD ANGLE PROJECTION

METRIC

PRINT DIST DW

THIS INFORMATION IS CONFIDENTIAL AND IS DECLASSIFIED TO YOU ON CONDITION THAT NO FURTHER DISCLOSURE IS MADE BY YOU TO OTHER THAN AMP PERSONNEL WITHOUT THE WRITTEN PERMISSION OF AMP. DO NOT SCALE PRINT.



SECTION A-A

| | | | | | |
|----------------------|----------|-----------|----------------|----------|----------|
| 348(L)X348(W)X340(H) | 200 | 8 | 1600 | 10.5 | 9.5 |
| BOX SIZE | PCS/TAPE | REELS/BOX | QUANTITY (PCS) | G/W (Kg) | N/W (Kg) |

| | | | | | |
|--|-------------|-------------|--|----------------|------------|
| TOLERANCES UNLESS OTHERWISE SPECIFIED: | DWN | O. HU | Tyco Electronics Corporation Taipei, Taiwan | | |
| 0 PL ± | 10-AUG-2007 | S. HOU | NAME | | |
| 1 PL ± | | 10-AUG-2007 | APVD | | |
| 2 PL ± | | 10-AUG-2007 | W.J. KE | | |
| 3 PL ± | | 10-AUG-2007 | PRODUCT SPEC | | |
| 4 PL ± | | | - | | |
| ANGLES ± | | | APPLICATION SPEC | | |
| | | | - | | |
| MATERIAL | | | WEIGHT | | |
| | | | - | | |
| FINISH | | | LOC | SIZE | DRAWING NO |
| | | | | A ₃ | C-1734346 |
| | | | SCALE | | REV |
| | | | | | B2 |
| | | | | | SHEET |
| | | | | | 3 OF 3 |

| | | | |
|--------------|-----------------|---------|------|
| SEE SHEET 1. | ECN | DWN_CHK | DATE |
| LTR | REVISION RECORD | | |

CUSTOMER DRAWING