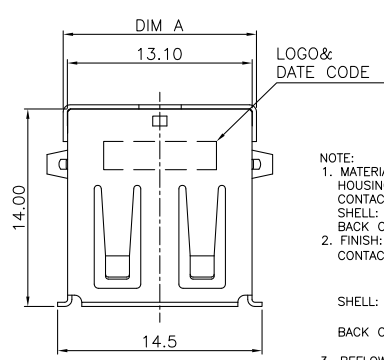
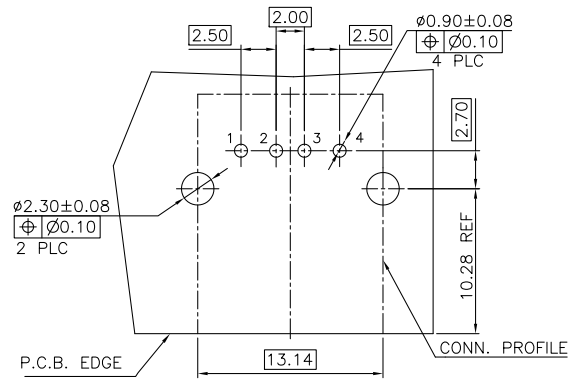


THIS DRAWING IS UNPUBLISHED. RELEASED FOR PUBLICATION AUG. 2006.
 © COPYRIGHT 2009 BY TYCO ELECTRONICS CORPORATION. ALL RIGHTS RESERVED.

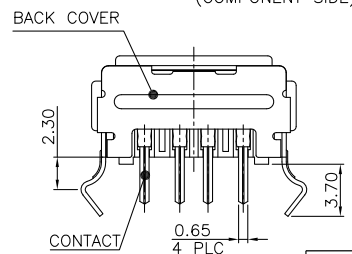
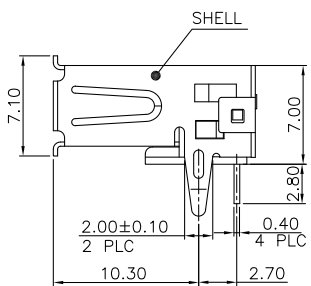
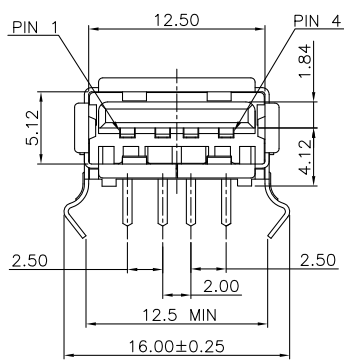
LOC	DIST	REVISIONS			
P	LTR	DESCRIPTION	DATE	DWN	APVD
E		REVISED. (ECR-10-001345)	20JAN10	FY	WK



NOTE:
 1. MATERIAL:
 HOUSING: PA9T WITH 30%GF, UL94V-0, BLACK COLOR.
 CONTACT: PHOSPHOR BRONZE.
 SHELL: BRASS.
 BACK COVER: BRASS.
 2. FINISH:
 CONTACT: 0.762μm [30μ"] MIN. GOLD PLATING ON CONTACT AREA.
 3.048μm [120μ"] MIN. BRIGHT TIN PLATING ON SOLDERTAILS.
 1.27μm [50μ"] MIN. NICKEL UNDERPLATING OVERALL.
 SHELL: 0.762μm [30μ"] MIN. NICKEL PLATED OVER
 0.762μm [30μ"] MIN. Cu UNDERPLATING OVERALL.
 BACK COVER: 0.762μm [30μ"] MIN. NICKEL PLATED OVER
 0.762μm [30μ"] MIN. Cu UNDERPLATING OVERALL.
 3. REFLOW SOLDER CAPABLE TO 260°C PER TE SPEC 109-201, CONDITION B.



RECOMMEND P.C.B LAYOUT (THICKNESS=1.6mm)
 (COMPONENT SIDE) TOLERANCE±0.05

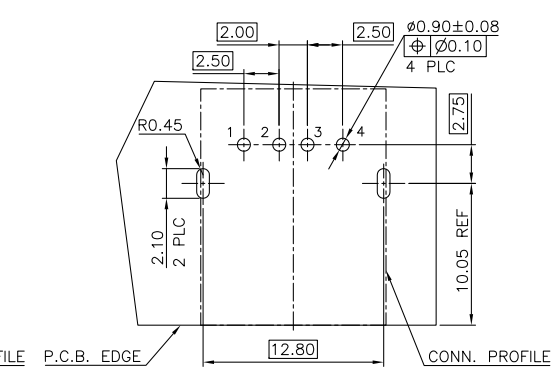
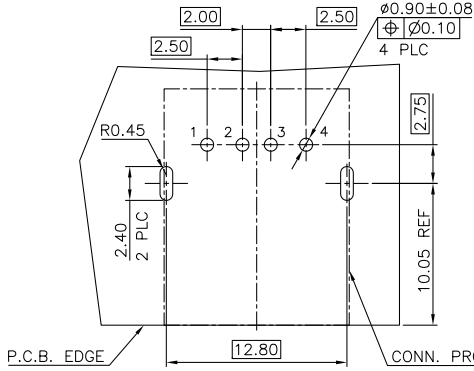
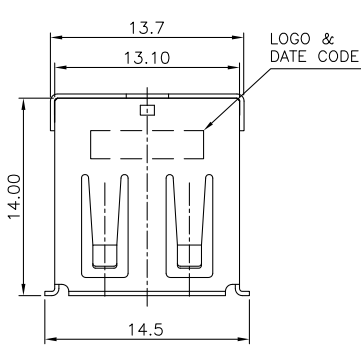


NA	W/O	TRAY	1734081-2
13.7	W/	TRAY	1734081-1
DIM.A	BACK COVER	PACKAGE	PART NUMBER

THIS DRAWING IS A CONTROLLED DOCUMENT.		DWN O. HU 21SEP2004	Tyco Electronics Corporation Taipei, Taiwan	
DIMENSIONS: MM		CHK S. HSU 21SEP2004	NAME	
TOLERANCES UNLESS OTHERWISE SPECIFIED:		APVD W. J. KE 21SEP2004	PRODUCT SPEC 108-57505	
0 PLC ± -		APPLICATION SPEC 501-57579		
1 PLC ± 0.35		SIZE	CAGE CODE	DRAWING NO
2 PLC ± 0.25		WEIGHT	A3	00779 ©=1734081
3 PLC ± 0.15		CUSTOMER DRAWING	SCALE	SHEET
4 PLC ± -				1 of 19
ANGLES ± 3°				REV E
MATERIAL SEE NOTE		FINISH SEE NOTE		

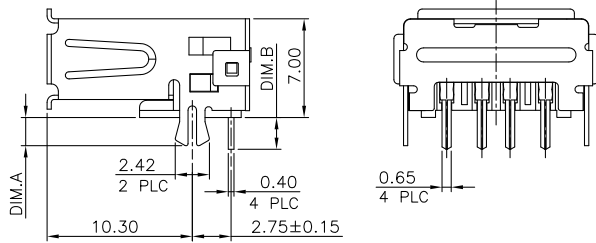
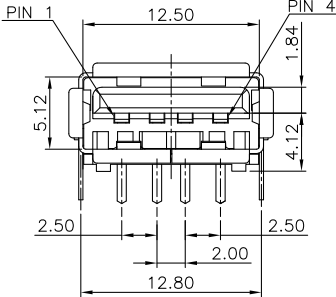
THIS DRAWING IS UNPUBLISHED. RELEASED FOR PUBLICATION AUG. 2006.
 © COPYRIGHT 2009 BY TYCO ELECTRONICS CORPORATION. ALL RIGHTS RESERVED.

LOC	DIST	REVISIONS			
P	LTR	DESCRIPTION	DATE	DWN	APVD
DW		SEE SHEET 1.			



RECOMMEND P.C.B LAYOUT (THICKNESS=1.6mm)
 (COMPONENT SIDE) TOLERANCE±0.05 FOR DIM.A=2.4

RECOMMEND P.C.B LAYOUT (THICKNESS=1.4~1.6mm)
 (COMPONENT SIDE) TOLERANCE±0.05 FOR DIM.A=2.0



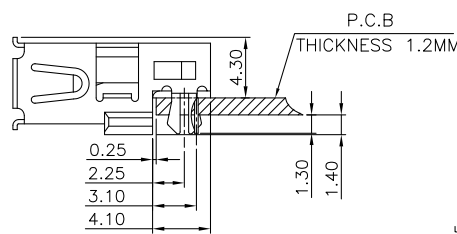
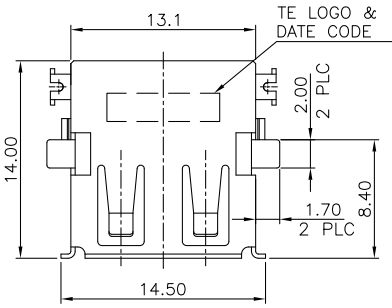
HSG. MATERIAL	HSG. COLOR	DIM A	DIM B	PACKAGE	PART NUMBER
PA-46	MOON GRAY	2.0	2.25	T&R	1-1734081-4
PA-9T	BLACK	2.0	2.4	T&R	1-1734081-3
			1.5	T&R	1-1734081-5
			2.25	T&R	1-1734081-2
				TRAY	1-1734081-1

NOTE:
 1. MATERIAL:
 HOUSING: THERMOPLASTIC (SEE TABLE) WITH 30%GF, UL94V-0, BLACK COLOR.
 CONTACT: PHOSPHOR BRONZE.
 SHELL: BRASS.
 BACK COVER: BRASS.
 2. FINISH:
 CONTACT: 0.762μm [30μ] MIN. GOLD PLATING ON CONTACT AREA,
 3.048μm [120μ] MIN. BRIGHT TIN PLATING ON SOLDER TAILS.
 1.27μm [50μ] MIN. NICKEL UNDERPLATING OVERALL.
 SHELL: 0.762μm [30μ] MIN. NICKEL PLATED OVER
 0.762μm [30μ] MIN. CU UNDERPLATING OVERALL.
 BACK COVER: 0.762μm [30μ] MIN. NICKEL PLATED OVER
 0.762μm [30μ] MIN. CU UNDERPLATING OVERALL.
 ▲ REFLOW SOLDER CAPABLE TO 245°C PER TE SPEC 109-201, CONDITION A.
 ▲ REFLOW SOLDER CAPABLE TO 260°C PER TE SPEC 109-201, CONDITION B.

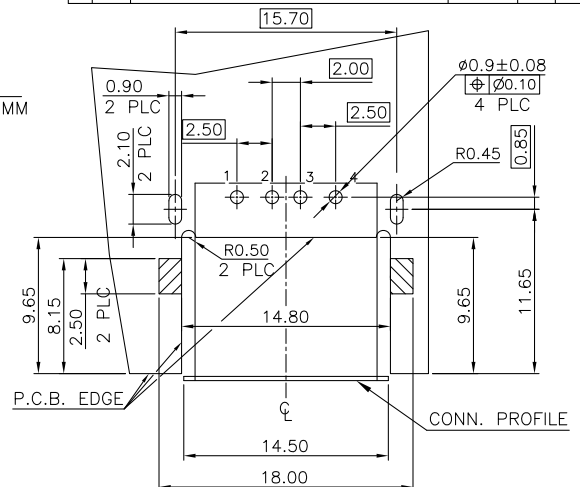
THIS DRAWING IS A CONTROLLED DOCUMENT.		DWN		Tyco Electronics Corporation Taipei, Taiwan	
DIMENSIONS: MM		TOLERANCES UNLESS OTHERWISE SPECIFIED:		NAME	
		0 PLC ± - 1 PLC ± 0.35 2 PLC ± 0.25 3 PLC ± 0.15 4 PLC ± - ANGLES ± 3°		PRODUCT SPEC APPLICATION SPEC	
MATERIAL SEE NOTE		FINISH SEE NOTE		USB CONNECTOR, RECEPTACLE 4 POSITION, SERIES A	
		WEIGHT 2.01 GRAMS		SIZE A3 CAGE CODE 00779 DRAWING NO C=1734081	
		CUSTOMER DRAWING		RESTRICTED TO	
		SCALE		SHEET 2 of 19 REV E	

THIS DRAWING IS UNPUBLISHED. RELEASED FOR PUBLICATION AUG. 2006.
 © COPYRIGHT 2009 BY TYCO ELECTRONICS CORPORATION. ALL RIGHTS RESERVED.

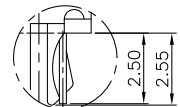
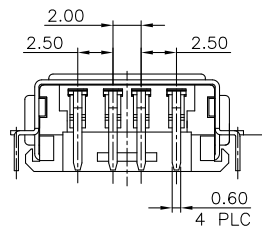
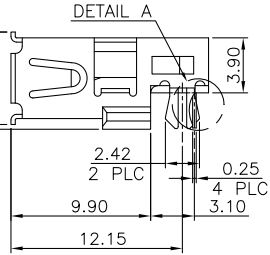
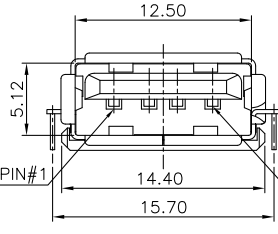
LOC	DIST	REVISIONS			
P	LTR	DESCRIPTION	DATE	DWN	APVD
		SEE SHEET 1.			



RECOMMENDED MOUNT DIMENSION



RECOMMEND P.C.B LAYOUT (THICKNESS=1.2mm)
(COMPONENT SIDE) TOLERANCE±0.05



DETAIL A
SCALE 2:1

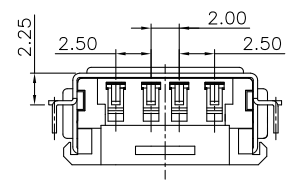
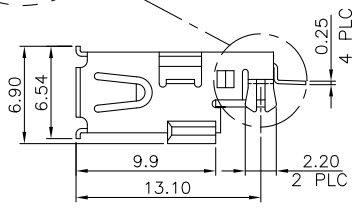
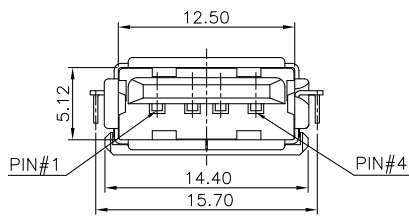
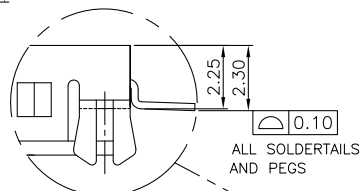
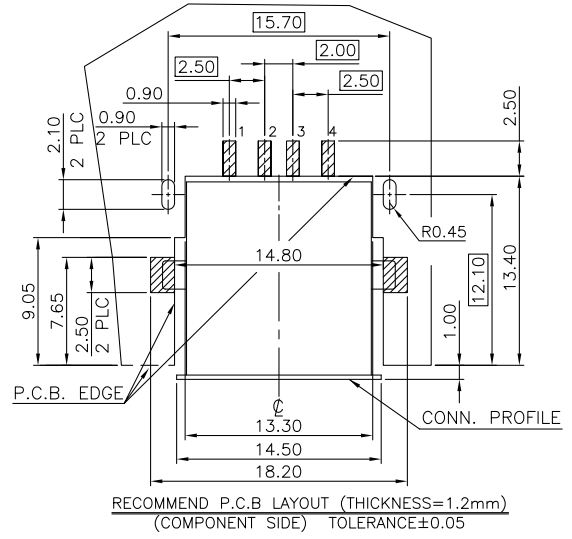
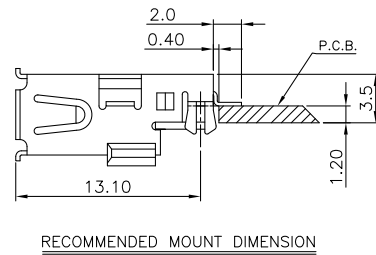
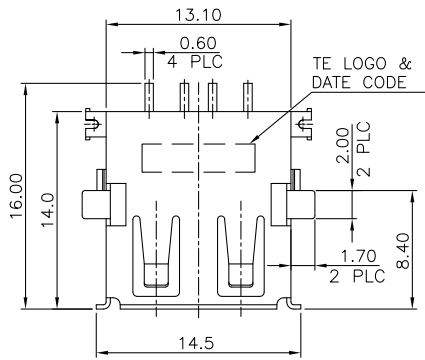
NOTE:
 1. MATERIAL:
 HOUSING: PA6T WITH 30%GF, UL94V-0, BLACK COLOR.
 CONTACT: PHOSPHOR BRONZE.
 SHELL: BRASS.
 2. FINISH:
 CONTACT: 0.762μm [30μ"] MIN. GOLD PLATING ON CONTACT AREA,
 3.048μm [120μ"] MIN. BRIGHT TIN PLATING ON SOLDER TAILS.
 1.27μm [50μ"] MIN. NICKEL UNDERPLATING OVERALL.
 SHELL: 0.762μm [30μ"] MIN. TIN PLATED OVER
 0.762μm [30μ"] MIN. Cu UNDERPLATING OVERALL.
 0.762μm [30μ"] MIN. NICKEL PLATED OVER
 0.762μm [30μ"] MIN. Cu UNDERPLATING OVERALL.
 3. REFLOW SOLDER CAPABLE TO 260°C PER TE SPEC 109-201, CONDITION B.

TAPE & REEL	2-1734081-3
TUBE	2-1734081-2
TUBE	2-1734081-1
SHELL PLATING	PACKAGE PART NUMBER

THIS DRAWING IS A CONTROLLED DOCUMENT.		DWN	Tyco Electronics		Tyco Electronics Corporation Taipei, Taiwan	
DIMENSIONS: MM		CHK	NAME			
TOLERANCES UNLESS OTHERWISE SPECIFIED:		APVD	PRODUCT SPEC			
0 PLC ± -		PRODUCT SPEC	USB CONNECTOR, RECEPTACLE 4 POSITION, SERIES A			
1 PLC ± 0.35		APPLICATION SPEC	SIZE	CAGE CODE	DRAWING NO	RESTRICTED TO
2 PLC ± 0.25			A3	00779	C=1734081	
3 PLC ± 0.15			WEIGHT	1.57 GRAMS		SCALE
4 PLC ± -			CUSTOMER DRAWING			SHEET
ANGLES ± 3°						3 of 19
MATERIAL	FINISH					REV
SEE NOTE	SEE NOTE					E

THIS DRAWING IS UNPUBLISHED. RELEASED FOR PUBLICATION AUG. 2006.
 © COPYRIGHT 2009 BY TYCO ELECTRONICS CORPORATION. ALL RIGHTS RESERVED.

LOC	DIST	REVISIONS			
P	LTR	DESCRIPTION	DATE	DWN	APVD
SEE SHEET 1.					



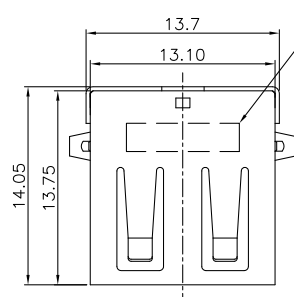
TAPE & REEL	3-1734081-1
PACKAGE	PART NUMBER

NOTE:
 1. MATERIAL:
 HOUSING: PA9T WITH 30%GF, UL94V-0, BLACK COLOR.
 CONTACT: PHOSPHOR BRONZE.
 SHELL: BRASS.
 2. FINISH:
 CONTACT: 0.762μm [30μ] MIN. GOLD PLATING ON CONTACT AREA.
 3.048μm [120μ] MIN. BRIGHT TIN PLATING ON SOLDERTAILS.
 1.27μm [50μ] MIN. NICKEL UNDERPLATING OVERALL.
 SHELL: 0.762μm [30μ] MIN. NICKEL PLATED OVER
 0.762μm [30μ] MIN. Cu UNDERPLATING OVERALL.
 3. REFLOW SOLDER CAPABLE TO 260°C PER TE SPEC 109-201, CONDITION B.

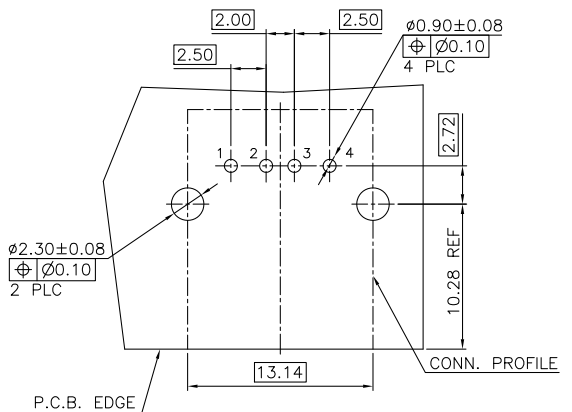
THIS DRAWING IS A CONTROLLED DOCUMENT.		DWN	Tyco Electronics Corporation Taipei, Taiwan	
DIMENSIONS: MM		CHK	NAME	
TOLERANCES UNLESS OTHERWISE SPECIFIED:		APVD	PRODUCT SPEC	
0 PLC ± -		APPLICATION SPEC		
1 PLC ± 0.35		SIZE CAGE CODE DRAWING NO		
2 PLC ± 0.25		RESTRICTED TO		
3 PLC ± 0.15		WEIGHT 1.54 GRAMS A3 00779 C=1734081		
4 PLC ± -		CUSTOMER DRAWING		
ANGLES ± 3°		SCALE SHEET 4 of 19 REV E		
MATERIAL SEE NOTE		FINISH SEE NOTE		

THIS DRAWING IS UNPUBLISHED. RELEASED FOR PUBLICATION AUG. 2006.
 © COPYRIGHT 2009 BY TYCO ELECTRONICS CORPORATION. ALL RIGHTS RESERVED.

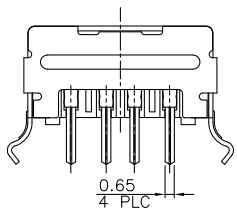
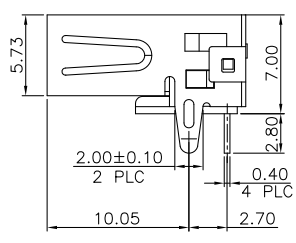
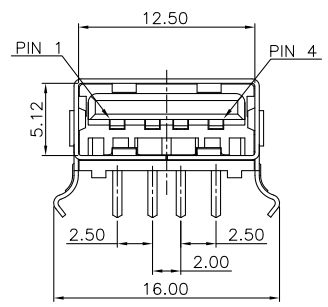
LOC	DIST	REVISIONS			
P	LTR	DESCRIPTION	DATE	DWN	APVD
		SEE SHEET 1.			



NOTE:
 1. MATERIAL:
 HOUSING: PBT WITH 30%GF, UL94V-0, COLOR: SEE TABLE.
 CONTACT: PHOSPHOR BRONZE.
 SHELL: BRASS.
 BACK COVER: BRASS.
 2. FINISH:
 CONTACT: 0.762μm [30μ"] MIN. GOLD PLATING ON CONTACT AREA.
 3.048μm [120μ"] MIN. BRIGHT TIN PLATING ON SOLDERTAILS.
 1.27μm [50μ"] MIN. NICKEL UNDERPLATING OVERALL.
 SHELL: 0.762μm [30μ"] MIN. NICKEL PLATED OVER
 0.762μm [30μ"] MIN. Cu UNDERPLATING OVERALL.
 BACK COVER: 0.762μm [30μ"] MIN. NICKEL PLATED OVER
 0.762μm [30μ"] MIN. Cu UNDERPLATING OVERALL.
 3. WAVE SOLDER CAPABLE TO 245°C PER TE SPEC 109-202, CONDITION A.



RECOMMEND P.C.B LAYOUT (THICKNESS=1.6mm)
 (COMPONENT SIDE) TOLERANCE±0.05

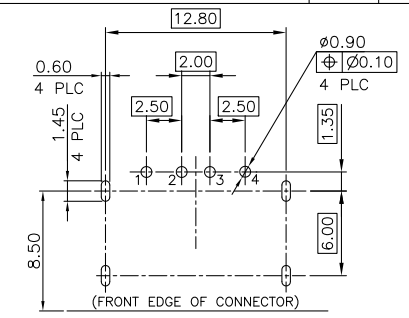
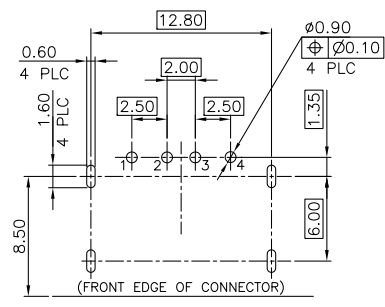
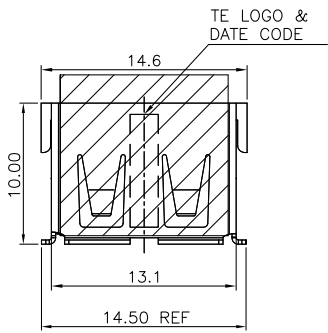


TRAY	MOON GRAY	4-1734081-2
	NONMETALLIC PEARL	4-1734081-1
PACKAGE	HSG. COLOR	PART NUMBER

THIS DRAWING IS A CONTROLLED DOCUMENT.		DWN	Tyco Electronics Corporation Taipei, Taiwan	
DIMENSIONS: MM		CHK	NAME	
TOLERANCES UNLESS OTHERWISE SPECIFIED:		APVD	USB CONNECTOR, RECEPTACLE 4 POSITION, SERIES A	
0 PLC ± -		PRODUCT SPEC	SIZE	CAGE CODE
1 PLC ± 0.35		APPLICATION SPEC	A3	00779
2 PLC ± 0.25			DRAWING NO C=1734081	
3 PLC ± 0.15			RESTRICTED TO	
4 PLC ± -				
ANGLES ± 3°		WEIGHT	SCALE	
MATERIAL SEE NOTE		2.03 GRAMS	SHEET 5 of 19	
FINISH SEE NOTE		CUSTOMER DRAWING	REV E	

THIS DRAWING IS UNPUBLISHED. RELEASED FOR PUBLICATION AUG. 2006.
 © COPYRIGHT 2009 BY TYCO ELECTRONICS CORPORATION. ALL RIGHTS RESERVED.

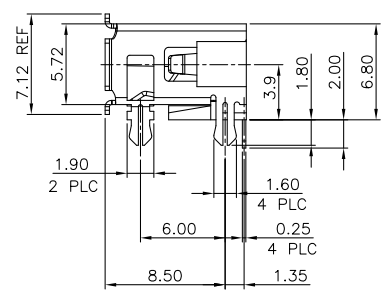
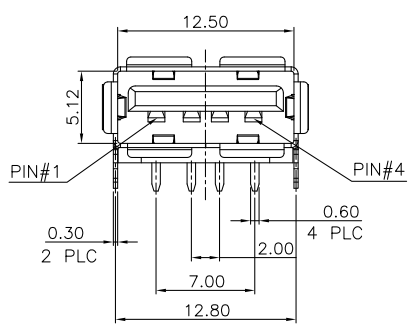
LOC	DIST	REVISIONS			
P	LTR	DESCRIPTION	DATE	DWN	APVD
		SEE SHEET 1.			



RECOMMEND P.C.B LAYOUT (THICKNESS=1.4mm)
 (COMPONENT SIDE) TOLERANCE±0.05

RECOMMEND P.C.B LAYOUT (THICKNESS=1.4mm)
 (COMPONENT SIDE) TOLERANCE±0.05

NOTE:
 1. MATERIAL:
 HOUSING: PA9T WITH 30%GF, UL94V-0, BLACK COLOR.
 CONTACT: PHOSPHOR BRONZE.
 SHELL: BRASS.
 MYLAR: KAPTON, 0.06 THICKNESS
 FINISH:
 CONTACT: 0.762µm [30µ"] MIN. GOLD PLATING ON CONTACT AREA,
 2.54µm [100µ"] MIN. MATTE-TIN PLATING ON SOLDER TAIL,
 WITH ENTIRE CONTACT UNDERPLATED 1.27µm [50µ"] MIN. NICKEL
 SHELL: 1.27µm [50µ"] MIN. NICKEL PLATING.
 FINISH:
 CONTACT: 0.254µm [10µ"] MIN. GOLD PLATING ON CONTACT AREA,
 2.54µm [100µ"] MIN. MATTE-TIN PLATING ON SOLDER TAIL,
 WITH ENTIRE CONTACT UNDERPLATED 1.27µm [50µ"] MIN. NICKEL
 SHELL: 1.27µm [50µ"] MIN. NICKEL PLATING.
 SPUTTERING/BLACK PLATING IN FRONT FLANGE.
 4. REFLOW SOLDER CAPABLE TO 260°C PER TE TEST SPEC 109-201, CONDITION B.
 CONNECTOR MOUNTING WITH ZERO INSERTION FORCE.

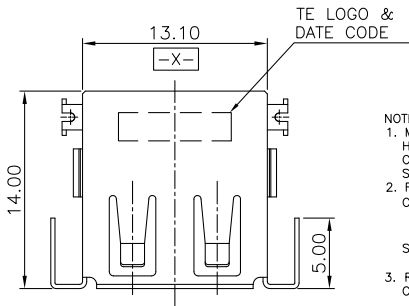


FINISH	PACKAGE	PART NUMBER
△	TAPE&REEL W/O MYLAR	5-1734081-3
△	TAPE&REEL W/ MYLAR	5-1734081-2
△	TAPE&REEL W/ MYLAR	5-1734081-1

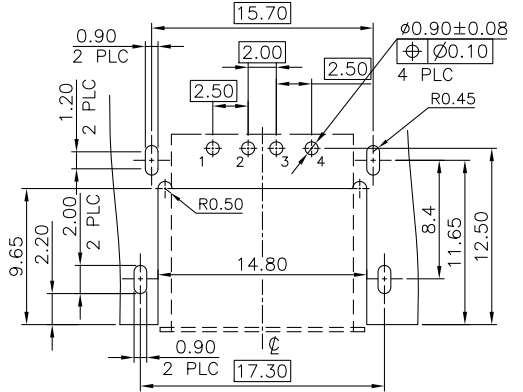
THIS DRAWING IS A CONTROLLED DOCUMENT.		DWN	Tyco Electronics Corporation Taipei, Taiwan	
DIMENSIONS: MM		CHK	NAME	
TOLERANCES UNLESS OTHERWISE SPECIFIED: 0 PLC ± - 1 PLC ± 0.35 2 PLC ± 0.25 3 PLC ± 0.15 4 PLC ± 0.15 ANGLES ± 3°		APVD	PRODUCT SPEC	
MATERIAL SEE NOTE		APPLICATION SPEC	USB CONNECTOR, RECEPTACLE 4 POSITION, SERIES A	
FINISH SEE NOTE		WEIGHT 1.54 GRAMS	SIZE A3	CAGE CODE C=1734081
		CUSTOMER DRAWING	SCALE	SHEET 6 of 19

THIS DRAWING IS UNPUBLISHED. RELEASED FOR PUBLICATION AUG. 2006.
 © COPYRIGHT 2009 BY TYCO ELECTRONICS CORPORATION. ALL RIGHTS RESERVED.

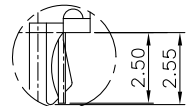
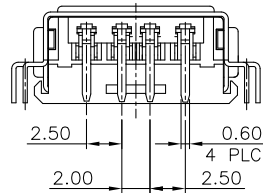
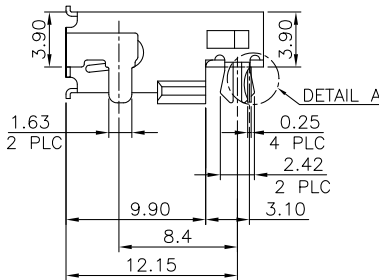
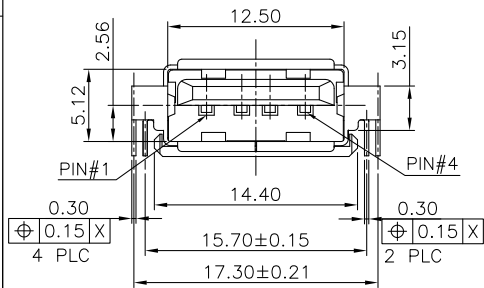
LOC	DIST	REVISIONS			
P	LTR	DESCRIPTION	DATE	DWN	APVD
		SEE SHEET 1.			



- NOTE:
- MATERIAL:
 HOUSING: PA9T WITH 30%GF, UL94V-0, BLACK COLOR.
 CONTACT: PHOSPHOR BRONZE.
 SHELL: BRASS.
 - FINISH:
 CONTACT: 0.762μm [30μ"] MIN. GOLD PLATING ON CONTACT AREA,
 3.048μm [120μ"] MIN. BRIGHT TIN PLATING ON SOLDER TAILS.
 1.27μm [50μ"] MIN. NICKEL UNDERPLATING OVERALL.
 SHELL: 0.762μm [30μ"] MIN. NICKEL PLATED OVER
 0.762μm [30μ"] MIN. Cu UNDERPLATING OVERALL.
 - REFLOW SOLDER CAPABLE TO 260°C PER TE SPEC 109-201, CONDITION B.



RECOMMEND P.C.B LAYOUT (THICKNESS=1.6mm)
 (COMPONENT SIDE) TOLERANCE±0.05



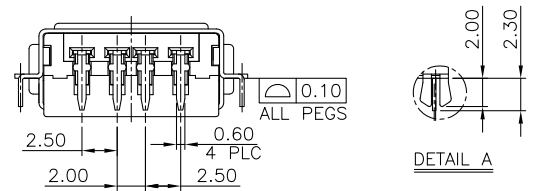
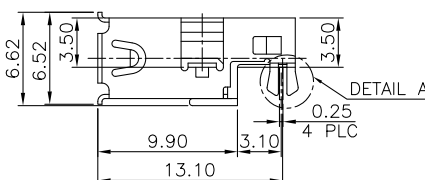
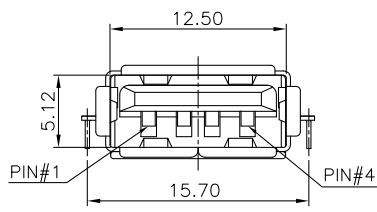
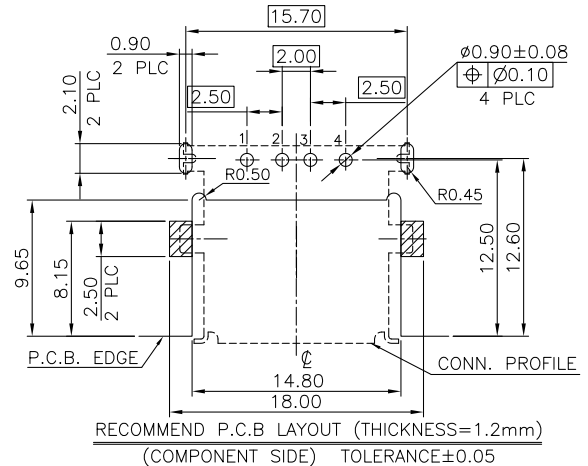
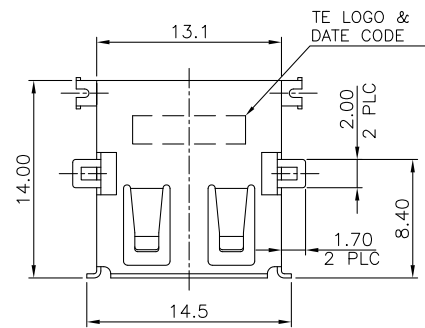
DETAIL A
 SCALE 2:1

TAPE & REEL	6-1734081-2
TUBE	6-1734081-1
PACKAGE	PART NUMBER

THIS DRAWING IS A CONTROLLED DOCUMENT.		DWN	Tyco Electronics		Tyco Electronics Corporation Taipei, Taiwan
DIMENSIONS: MM		CHK	NAME		
TOLERANCES UNLESS OTHERWISE SPECIFIED:		APVD	PRODUCT SPEC		
0 PLC ± -		APPLICATION SPEC	USB CONNECTOR, RECEPTACLE 4 POSITION, SERIES A		
1 PLC ± 0.35		SIZE	CAGE CODE	DRAWING NO	RESTRICTED TO
2 PLC ± 0.25		WEIGHT	A3	00779	©=1734081
3 PLC ± 0.15		CUSTOMER DRAWING	SCALE	SHEET	7 of 19
4 PLC ± -				REV	E
ANGLES ± 3°					
MATERIAL	FINISH				
SEE NOTE	SEE NOTE				

THIS DRAWING IS UNPUBLISHED. RELEASED FOR PUBLICATION AUG. 2006.
 © COPYRIGHT 2009 BY TYCO ELECTRONICS CORPORATION. ALL RIGHTS RESERVED.

LOC	DIST	REVISIONS			
P	LTR	DESCRIPTION	DATE	DWN	APVD
		SEE SHEET 1.			



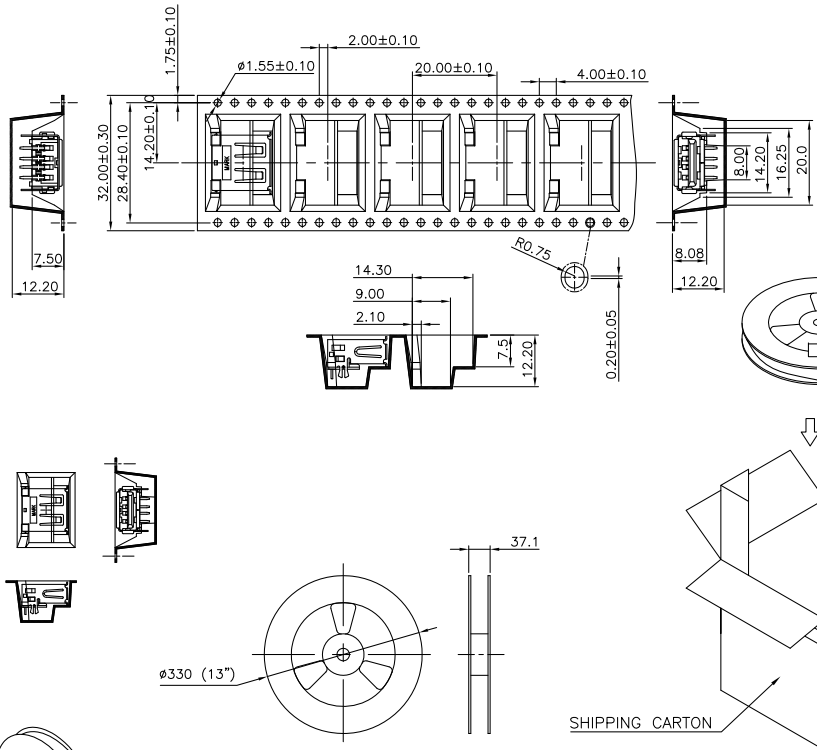
NOTE:
 1. MATERIAL:
 HOUSING: PA9T WITH 30%GF, UL 94V-0, BLACK COLOR.
 CONTACT: PHOSPHOR BRONZE.
 SHELL: BRASS.
 2. FINISH:
 CONTACT: 0.762μm [30μ"] MIN. GOLD PLATING ON CONTACT AREA,
 3.048μm [120μ"] MIN. BRIGHT TIN PLATING ON SOLDER TAILS.
 1.27μm [50μ"] MIN. NICKEL UNDERPLATING OVERALL.
 SHELL: 0.762μm [30μ"] MIN. NICKEL PLATED OVER
 0.762μm [30μ"] MIN. Cu UNDERPLATING OVERALL.
 3. REFLOW SOLDER CAPABLE TO 260°C PER TE SPEC 109-201,
 CONDITION B.

TAPE & REEL	7-1734081-1
PACKAGE	PART NUMBER

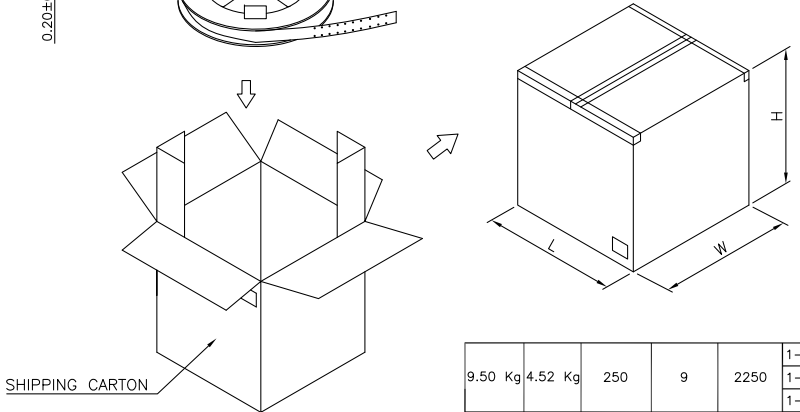
THIS DRAWING IS A CONTROLLED DOCUMENT.		DWN	Tyco Electronics Corporation Taipei, Taiwan	
DIMENSIONS: MM		CHK	NAME	
TOLERANCES UNLESS OTHERWISE SPECIFIED:		APVD	PRODUCT SPEC	
0 PLC ± -		APPLICATION SPEC	USB CONNECTOR, RECEPTACLE 4 POSITION, SERIES A	
1 PLC ± 0.35		SIZE	CAGE CODE	DRAWING NO
2 PLC ± 0.25		WEIGHT	A3	00779 ©=1734081
3 PLC ± 0.15		CUSTOMER DRAWING	SCALE	SHEET
4 PLC ± -				9 of 19
ANGLES ± 3°				REV E
MATERIAL	FINISH			
SEE NOTE	SEE NOTE			

THIS DRAWING IS UNPUBLISHED. RELEASED FOR PUBLICATION AUG. 2006.
 © COPYRIGHT 2009 BY TYCO ELECTRONICS CORPORATION. ALL RIGHTS RESERVED.

LOC	DIST	REVISIONS			
P	LTR	DESCRIPTION	DATE	DWN	APVD
		SEE SHEET 1.			



- NOTES:
- MATERIAL:
 REEL: PS.
 EMBOSSED CARRIER: PS.
 COVER TAPE: PBT.
 - DIMENSION :
 TAPE REEL: $\phi 330\text{mm} \times 37.1\text{mm}$
 SHIPPING CARTON: L=350mm, W=350mm, H=350mm
 - QUANTITY :
 PRIMARY PACKING: 250PCS/REEL
 SECONDARY PACKING: 9 REELS/CARTON(2,250PCS).
 - WEIGHT :
 NET WEIGHT: 0.50 KG/REEL, 4.52 KG/CARTON.
 GROSS WEIGHT: 1.00 KG/REEL, 9.50 KG/CARTON.
 - PEELING RESISTANCE: 20G TO 130G.
 - PEELING SPEED: 300MM/MIN.



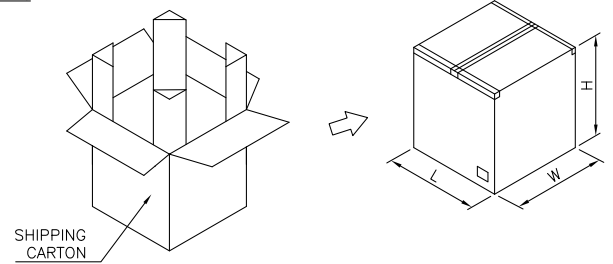
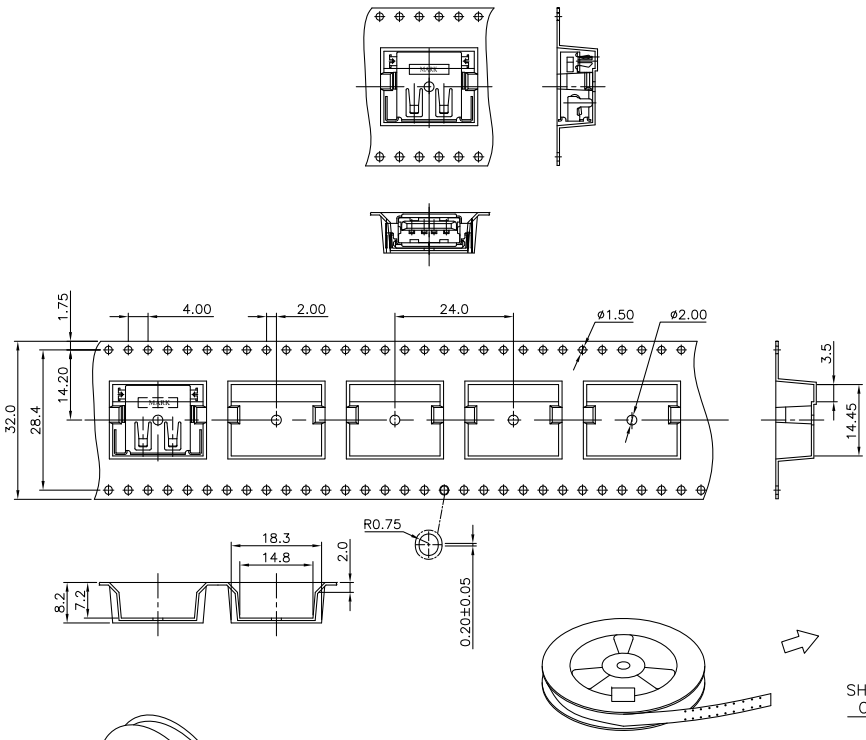
9.50 Kg	4.52 Kg	250	9	2250	1-1734081-4
					1-1734081-3
					1-1734081-2
GROSS WEIGHT	NET WEIGHT	PCS/REEL	REELS/CARTON	QUANTITY	PART NUMBER

THIS DRAWING IS A CONTROLLED DOCUMENT.		DWN	Tyco Electronics Corporation Taipei, Taiwan		
DIMENSIONS: MM		CHK	NAME		
TOLERANCES UNLESS OTHERWISE SPECIFIED:		APVD	USB CONNECTOR, RECEPTACLE 4 POSITION, SERIES A		
0 PLC ±		PRODUCT SPEC	SIZE CAGE CODE DRAWING NO		
1 PLC ±		APPLICATION SPEC	A3 00779 C=1734081		
2 PLC ±		WEIGHT	RESTRICTED TO		
3 PLC ±		CUSTOMER DRAWING	SCALE	SHEET	REV
4 PLC ±				10 of 19	E
ANGLES ±					
FINISH					

THIS DRAWING IS UNPUBLISHED. RELEASED FOR PUBLICATION AUG. 2006.
 © COPYRIGHT 2009 BY TYCO ELECTRONICS CORPORATION. ALL RIGHTS RESERVED.

LOC	DIST	REVISIONS			
P	LTR	DESCRIPTION	DATE	DWN	APVD
		SEE SHEET 1.			

- NOTES:
- MATERIAL:
 REEL: PS.
 EMBOSSED CARRIER: PS.
 COVER TAPE: PBT.
 - DIMENSION :
 TAPE REEL: $\phi 330\text{mm} \times 37.1\text{mm}$
 SHIPPING CARTON: L=350mm, W=350mm, H=350mm
 - QUANTITY :
 PRIMARY PACKING: 300PCS/REEL
 SECONDARY PACKING: 8 REELS/CARTON(2,400PCS).
 - WEIGHT :
 NET WEIGHT: 0.44KG/REEL, 4.00 KG/CARTON.
 GROSS WEIGHT: 1.81 KG/REEL, 9.05 KG/CARTON.
 - PEELING RESISTANCE: 20G TO 130G.
 - PEELING SPEED: 300MM/MIN.



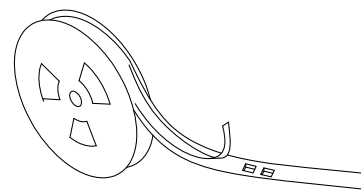
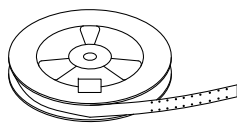
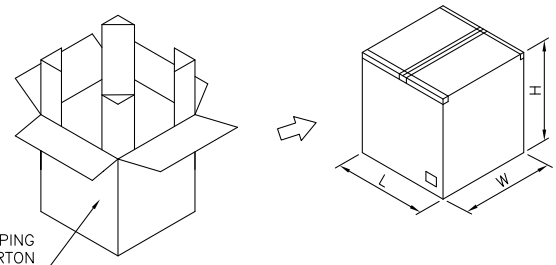
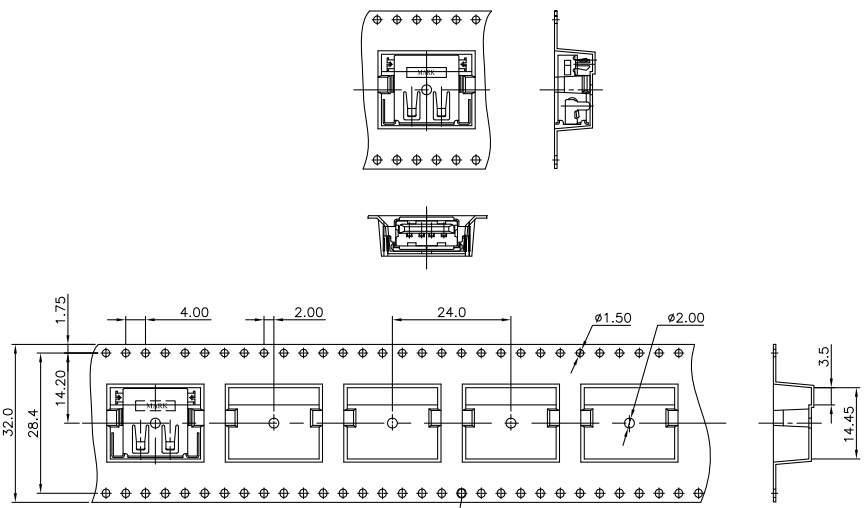
9.05 Kg	4.00 Kg	300	8	2400	6-1734081-2
GROSS WEIGHT	NET WEIGHT	PCS/REEL	REELS/CARTON	QUANTITY	PART NUMBER

THIS DRAWING IS A CONTROLLED DOCUMENT.		DWN	Tyco Electronics Corporation Taipei, Taiwan		
DIMENSIONS: MM		CHK	NAME		
TOLERANCES UNLESS OTHERWISE SPECIFIED:		APVD	USB CONNECTOR, RECEPTACLE 4 POSITION, SERIES A		
0 PLC ±		PRODUCT SPEC	SIZE		
1 PLC ±		APPLICATION SPEC	CAGE CODE		
2 PLC ±		WEIGHT	DRAWING NO		
3 PLC ±		MATERIAL	A3 00779 C=1734081		
4 PLC ±		FINISH	RESTRICTED TO		
ANGLES ±		CUSTOMER DRAWING	SCALE	SHEET	REV
				11 of 19	E

THIS DRAWING IS UNPUBLISHED. RELEASED FOR PUBLICATION AUG. 2006.
 © COPYRIGHT 2009 BY TYCO ELECTRONICS CORPORATION. ALL RIGHTS RESERVED.

LOC	DIST	REVISIONS			
P	LTR	DESCRIPTION	DATE	DWN	APVD
		SEE SHEET 1.			

- NOTES:
- MATERIAL:
 REEL: PS.
 EMBOSSED CARRIER: PS.
 COVER TAPE: PBT.
 - DIMENSION :
 TAPE REEL: $\phi 330\text{mm} \times 37.1\text{mm}$
 SHIPPING CARTON: L=350mm, W=350mm, H=350mm
 - QUANTITY :
 PRIMARY PACKING: 300PCS/REEL
 SECONDARY PACKING: 8 REELS/CARTON(2,400PCS).
 - WEIGHT :
 NET WEIGHT: 0.44KG/REEL, 4.00 KG/CARTON.
 GROSS WEIGHT: 1.81 KG/REEL, 9.05 KG/CARTON.
 - PEELING RESISTANCE: 20G TO 130G.
 - PEELING SPEED: 300MM/MIN.

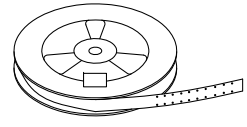
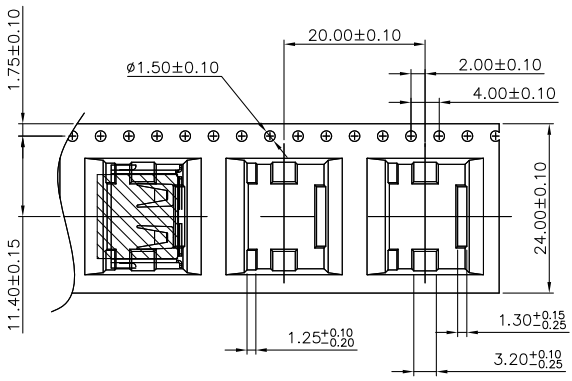


9.05 Kg	4.00 Kg	300	8	2400	6-1734081-3
GROSS WEIGHT	NET WEIGHT	PCS/REEL	REELS/CARTON	QUANTITY	PART NUMBER

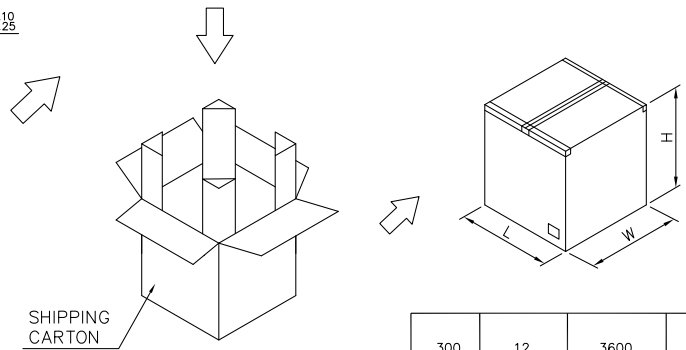
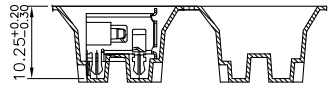
THIS DRAWING IS A CONTROLLED DOCUMENT.		DWN	Tyco Electronics Corporation Taipei, Taiwan		
DIMENSIONS: MM		CHK	NAME		
TOLERANCES UNLESS OTHERWISE SPECIFIED:		APVD	USB CONNECTOR, RECEPTACLE 4 POSITION, SERIES A		
0 PLC ±		PRODUCT SPEC	SIZE		
1 PLC ±		APPLICATION SPEC	CAGE CODE		
2 PLC ±		WEIGHT	DRAWING NO		
3 PLC ±		CUSTOMER DRAWING	A3 00779 C=1734081		
4 PLC ±		SCALE	RESTRICTED TO		
ANGLES ±		SHEET	12 OF 19		
FINISH ±		REV	E		

THIS DRAWING IS UNPUBLISHED. RELEASED FOR PUBLICATION AUG. 2006.
 © COPYRIGHT 2009 BY TYCO ELECTRONICS CORPORATION. ALL RIGHTS RESERVED.

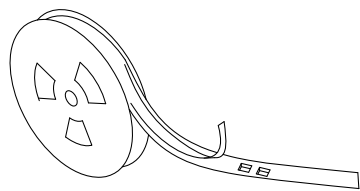
LOC	DIST	REVISIONS			
P	LTR	DESCRIPTION	DATE	DWN	APVD
		SEE SHEET 1.			



- NOTES:
- MATERIAL:
 REEL: PS.
 EMBOSSED CARRIER: PS.
 COVER TAPE: PBT.
 - DIMENSION :
 TAPE REEL: $\phi 330\text{mm} \times 29.5\text{mm}$
 SHIPPING CARTON: L=350mm, W=350mm, H=400mm
 - QUANTITY :
 PRIMARY PACKING: 300PCS/REEL
 SECONDARY PACKING: 12 REELS/CARTON(3600PCS).
 - WEIGHT :
 NET WEIGHT: 0.46 KG/REEL, 5.55 KG/CARTON.
 GROSS WEIGHT: 0.89 KG/REEL, 10.65 KG/CARTON.
 - PEELING RESISTANCE: 20G TO 130G.
 - PEELING SPEED: 300MM/MIN.



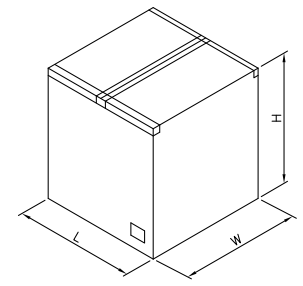
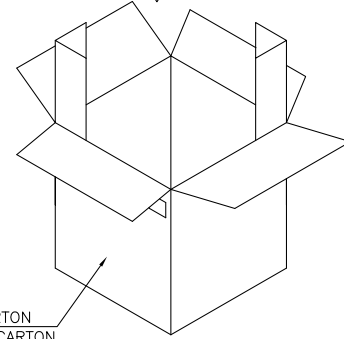
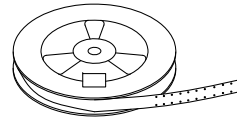
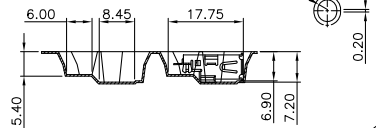
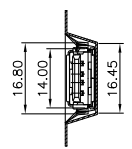
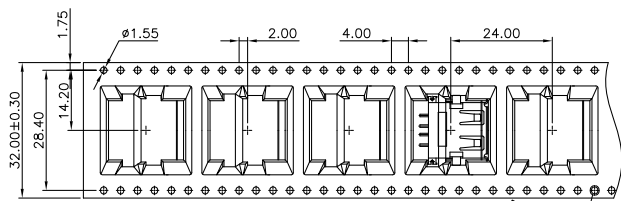
300	12	3600	10.65	5.55	5-1734081-3
					5-1734081-2
					5-1734081-1
PCS/REEL	REELS/BOX	QUANTITY (PCS)	G/W (Kg)	N/W (Kg)	PART NUMBER



THIS DRAWING IS A CONTROLLED DOCUMENT.		DWN	Tyco Electronics Corporation Taipei, Taiwan		
DIMENSIONS: MM		CHK	NAME		
TOLERANCES UNLESS OTHERWISE SPECIFIED:		APVD	USB CONNECTOR, RECEPTACLE 4 POSITION, SERIES A		
0 PLC ± -		PRODUCT SPEC	SIZE CAGE CODE DRAWING NO		
1 PLC ± -		APPLICATION SPEC	A3 00779 C=1734081		
2 PLC ± -		WEIGHT	RESTRICTED TO		
3 PLC ± -		CUSTOMER DRAWING	SCALE	SHEET	REV
4 PLC ± -				13 of 19	E
ANGLES ± -					
FINISH					

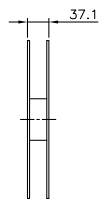
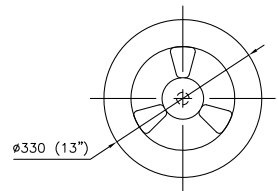
THIS DRAWING IS UNPUBLISHED. RELEASED FOR PUBLICATION AUG. 2006.
 © COPYRIGHT 2009 BY TYCO ELECTRONICS CORPORATION. ALL RIGHTS RESERVED.

LOC	DIST	REVISIONS			
P	LTR	DESCRIPTION	DATE	DWN	APVD
DW		SEE SHEET 1.			



SHIPPING CARTON
9 TAPE-REEL/ CARTON

- NOTES:
- MATERIAL:
REEL: PS.
EMBOSSED CARRIER: PS.
COVER TAPE: PBT.
 - DIMENSION :
TAPE REEL: Ø330mmX37.1mm
SHIPPING CARTON: L=350mm,W=350mm, H=350mm
 - QUANTITY :
PRIMARY PACKING: 350PCS/REEL
SECONDARY PACKING: 9 REELS/CARTON.(3150 PCS)
 - WEIGHT :
NET WEIGHT: 4.85 kg .
GROSS WEIGHT: 9.85 kg .
 - PEELING RESISTANCE: 20G TO 130G.
 - PEELING SPEED: 300MM/MIN.



9.85 Kg	4.85 Kg	350	9	3150	3-1734081-1
GROSS WEIGHT	NET WEIGHT	PCS/REEL	REELS/CARTON	QUANTITY	PART NUMBER

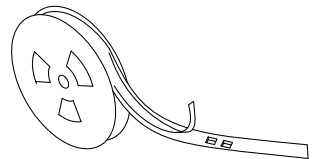
Tyco Electronics
Tyco Electronics Corporation
Taipei, Taiwan

THIS DRAWING IS A CONTROLLED DOCUMENT.		DWN
DIMENSIONS: MM		CHK
TOLERANCES UNLESS OTHERWISE SPECIFIED:		APVD
0 PLC	±	PRODUCT SPEC
1 PLC	±	APPLICATION SPEC
2 PLC	±	WEIGHT
3 PLC	±	CUSTOMER DRAWING
4 PLC	±	
ANGLES	±	
MATERIAL	FINISH	

NAME: USB CONNECTOR, RECEPTACLE 4 POSITION, SERIES A

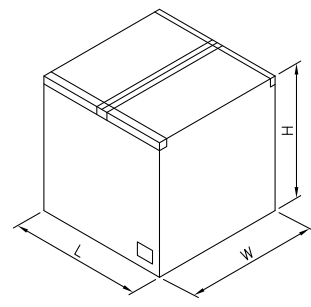
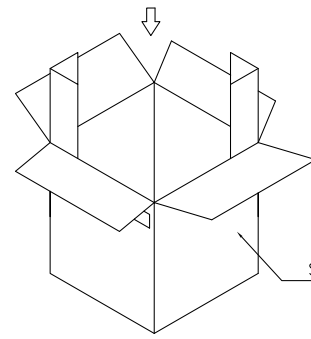
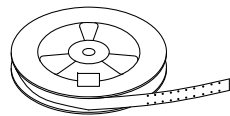
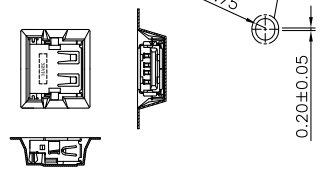
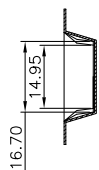
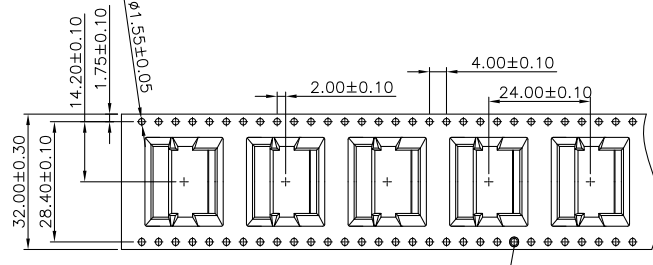
SIZE	CAGE CODE	DRAWING NO	RESTRICTED TO
A3	00779	C=1734081	

SCALE	SHEET	REV
	14 of 19	E

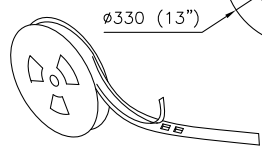
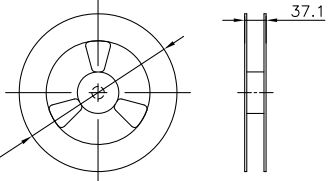
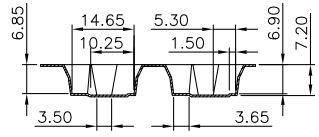


THIS DRAWING IS UNPUBLISHED. RELEASED FOR PUBLICATION AUG. 2006.
 © COPYRIGHT 2009 BY TYCO ELECTRONICS CORPORATION. ALL RIGHTS RESERVED.

LOC	DIST	REVISIONS			
P	LTR	DESCRIPTION	DATE	DWN	APVD
		SEE SHEET 1.			



- NOTES:
- MATERIAL:
 REEL: PS.
 EMBOSSED CARRIER: PS.
 COVER TAPE: PBT.
 - DIMENSION :
 TAPE REEL: $\phi 330\text{mm} \times 37.1\text{mm}$
 SHIPPING CARTON: L=350mm, W=350mm, H=350mm
 - QUANTITY :
 PRIMARY PACKING: 350PCS/REEL
 SECONDARY PACKING: 9 REELS/CARTON(3,150PCS).
 - WEIGHT :
 NET WEIGHT: 0.55 KG/REEL, 4.85 KG/CARTON.
 GROSS WEIGHT: 1.09 KG/REEL, 9.85 KG/CARTON.
 - PEELING RESISTANCE: 20G TO 130G.
 - PEELING SPEED: 300MM/MIN.



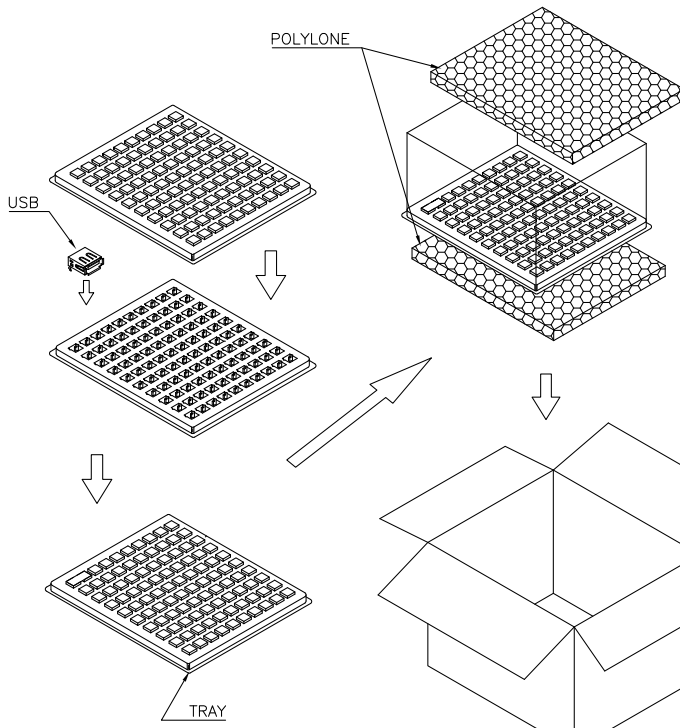
SHIPPING CARTON

9.85 Kg	4.85 Kg	350	9	3150	7-1734081-1
GROSS WEIGHT	NET WEIGHT	PCS/REEL	REELS/CARTON	QUANTITY	PART NUMBER
					2-1734081-3

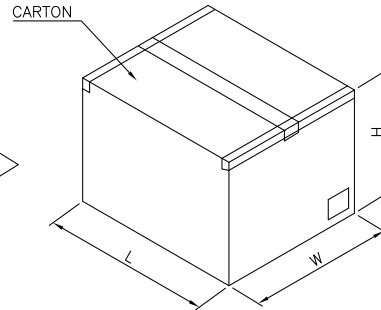
THIS DRAWING IS A CONTROLLED DOCUMENT.		DWN	Tyco Electronics Corporation Taipei, Taiwan		
DIMENSIONS: MM		CHK	NAME		
TOLERANCES UNLESS OTHERWISE SPECIFIED:		APVD	USB CONNECTOR, RECEPTACLE 4 POSITION, SERIES A		
0 PLC	±	PRODUCT SPEC	SIZE		
1 PLC	±	APPLICATION SPEC	CAGE CODE	DRAWING NO	RESTRICTED TO
2 PLC	±	WEIGHT	A3	00779	C=1734081
3 PLC	±	CUSTOMER DRAWING	SCALE	SHEET	REV
4 PLC	±			15 of 19	E
ANGLES	±				
MATERIAL	FINISH				

THIS DRAWING IS UNPUBLISHED. RELEASED FOR PUBLICATION AUG. 2006.
 © COPYRIGHT 2009 BY TYCO ELECTRONICS CORPORATION. ALL RIGHTS RESERVED.

LOC	DIST	REVISIONS			
P	LTR	DESCRIPTION	DATE	DWN	APVD
		SEE SHEET 1.			



- NOTES:
- DIMENSION :
 TRAY : L=295mm, W=252mm, H=14mm
 SHIPPING CARTON: L=315mm, W=270mm, H=200mm
 POLYSTYRENE : L=290mm, W=250mm, H=10mm
 - QUANTITY :
 PRIMARY PACKING: 100 PCS/TRAY
 SECONDARY PACKING: 10 TRAYS/CARTON
 (1,000PCS)
 - WEIGHT :
 NET WEIGHT: 2.03KG/CARTON.
 GROSS WEIGHT: 3.10KG/CARTON.



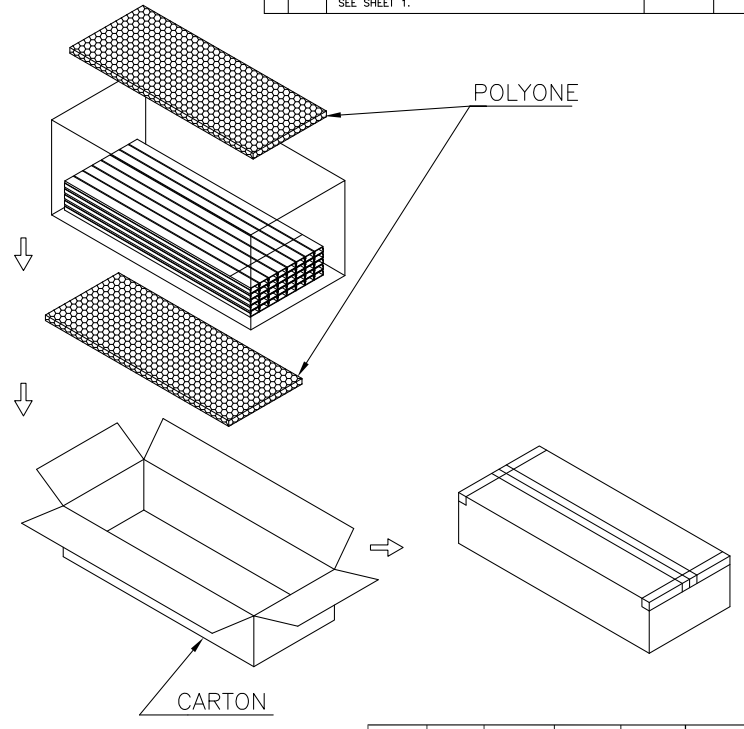
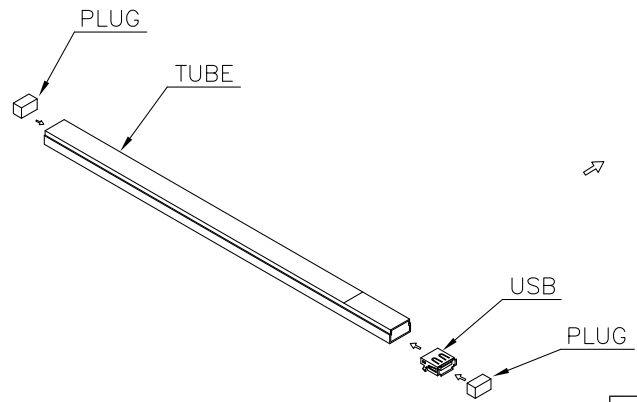
3.10 Kg	2.03 Kg	100	10	1000	4-1734081-2
					4-1734081-1
					1-1734081-1
					1734081-2
					1734081-1
GROSS WEIGHT	NET WEIGHT	PCS/TRAY	TRAY /CARTON	QUANTITY	PART NUMBER

THIS DRAWING IS A CONTROLLED DOCUMENT.		DWN	Tyco Electronics Corporation Taipei, Taiwan		
DIMENSIONS: MM		CHK	NAME		
TOLERANCES UNLESS OTHERWISE SPECIFIED:		APVD	USB CONNECTOR, RECEPTACLE 4 POSITION, SERIES A		
0 PLC ± -		PRODUCT SPEC	SIZE CAGE CODE DRAWING NO		
1 PLC ± -		APPLICATION SPEC	A3 00779 ©=1734081		
2 PLC ± -		WEIGHT	RESTRICTED TO		
3 PLC ± -		CUSTOMER DRAWING	SCALE	SHEET	REV
4 PLC ± -				16 of 19	E
ANGLES ± -					
MATERIAL FINISH					

THIS DRAWING IS UNPUBLISHED. RELEASED FOR PUBLICATION AUG.2006.
 © COPYRIGHT 2009 BY TYCO ELECTRONICS CORPORATION. ALL RIGHTS RESERVED.

LOC	DIST	REVISIONS			
P	LTR	DESCRIPTION	DATE	DWN	APVD
DW		SEE SHEET 1.			

- NOTES:
- MATERIAL:
 TRAY: PE.
 POLYLONE:POLYLONE
 SHIPPING CARTON: CORRUGATED FIBER.
 - DIMENSION :
 TUBE : L=370mm, W=18.7mm, H=10.1mm
 SHIPPING CARTON : L=390mm, W=165mm, H=90mm
 - QUANTITY :
 25 PCS/TUBE
 40 TUBES/INNER BOX(1,000PCS)
 - WEIGHT :
 NET WEIGHT : 1.54 KG
 GROSS WEIGHT : 2.45 KG



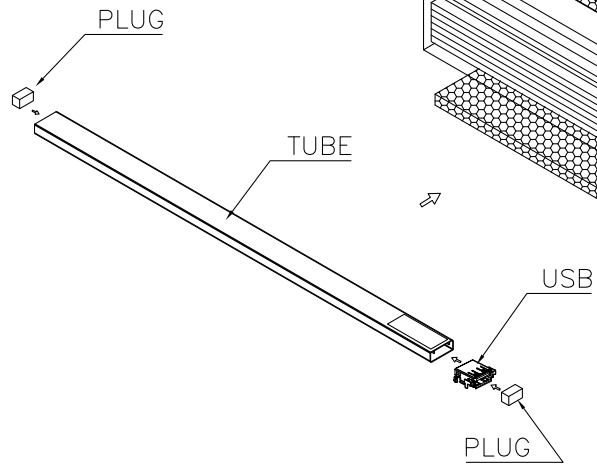
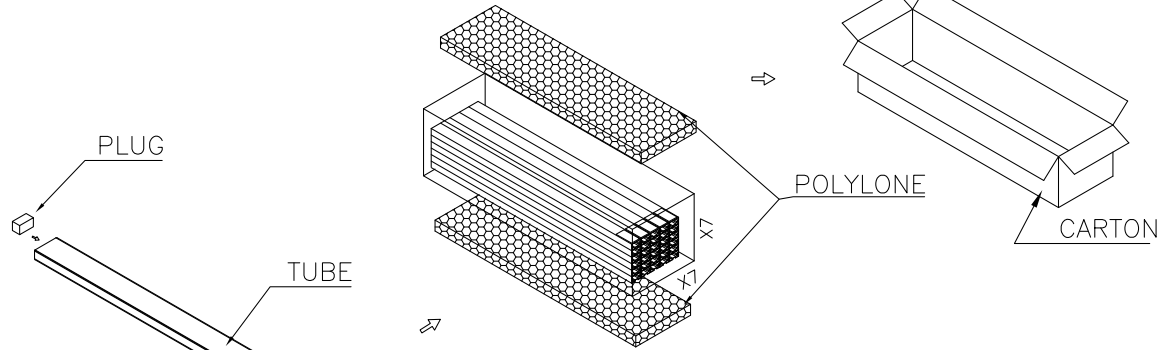
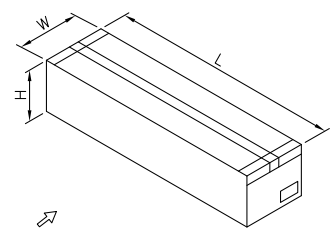
2.45 Kg	1.54 Kg	25	40	1000	2-1734081-2
GROSS WEIGHT	NET WEIGHT	PCS/TUBE	TUBES/CARTON	QUANTITY	PART NUMBER

THIS DRAWING IS A CONTROLLED DOCUMENT.		DWN	Tyco Electronics Corporation Taipei, Taiwan		
DIMENSIONS: MM		CHK	NAME		
TOLERANCES UNLESS OTHERWISE SPECIFIED:		APVD	USB CONNECTOR, RECEPTACLE 4 POSITION, SERIES A		
0 PLC ± -		PRODUCT SPEC	SIZE CAGE CODE DRAWING NO		
1 PLC ± -		APPLICATION SPEC	A3 00779 C=1734081		
2 PLC ± -		WEIGHT	RESTRICTED TO		
3 PLC ± -		CUSTOMER DRAWING	SCALE SHEET 17 OF 19 REV E		
4 PLC ± -					
ANGLES ± -					
MATERIAL FINISH					

THIS DRAWING IS UNPUBLISHED. RELEASED FOR PUBLICATION AUG. 2006.
 © COPYRIGHT 2009 BY TYCO ELECTRONICS CORPORATION. ALL RIGHTS RESERVED.

LOC	DIST	REVISIONS			
P	LTR	DESCRIPTION	DATE	DWN	APVD
		SEE SHEET 1.			

- NOTE:
- MATERIAL:
 TRAY: PE.
 POLYLONE: POLYLONE
 SHIPPING CARTON: CORRUGATED FIBER.
 - DIMENSION :
 TUBE : L=370mm, W=21.8mm, H=8.6mm
 SHIPPING CARTON : L=390mm, W=165mm, H=90mm
 - QUANTITY :
 25 PCS/TUBE
 49 TUBES/INNER BOX(1,225PCS)
 - WEIGHT :
 NET WEIGHT : 1.80 KG
 GROSS WEIGHT : 3.70 KG



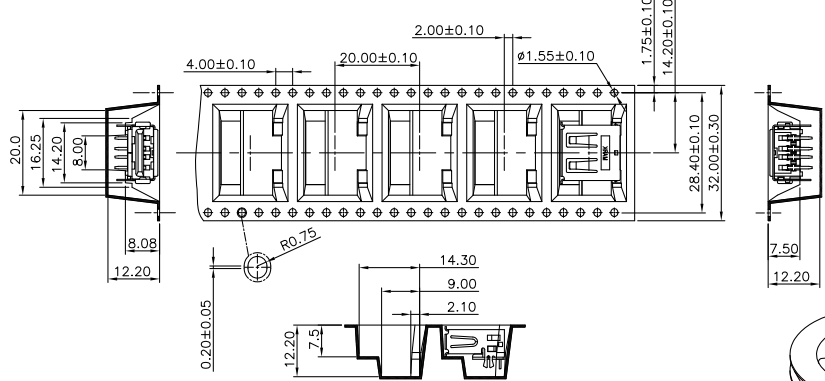
THIS DRAWING IS A CONTROLLED DOCUMENT.

DIMENSIONS:	TOLERANCES UNLESS OTHERWISE SPECIFIED:
MM	
	0 PLC ± -
	1 PLC ± -
	2 PLC ± -
	3 PLC ± -
	4 PLC ± -
	ANGLES ± -
MATERIAL	FINISH

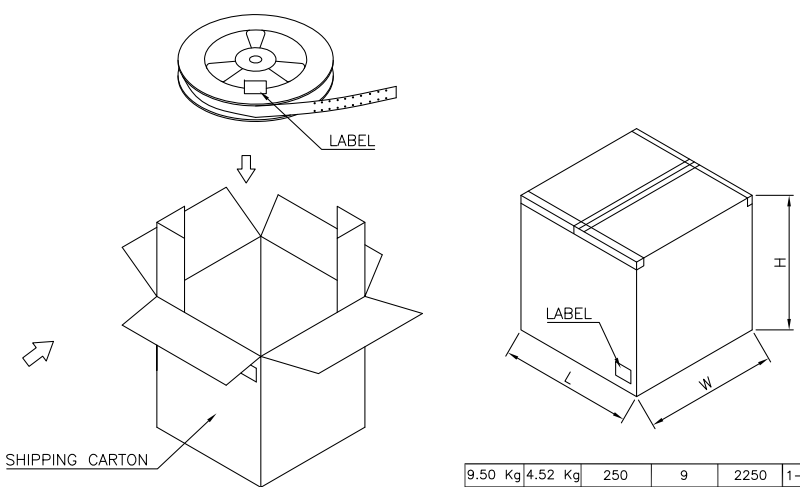
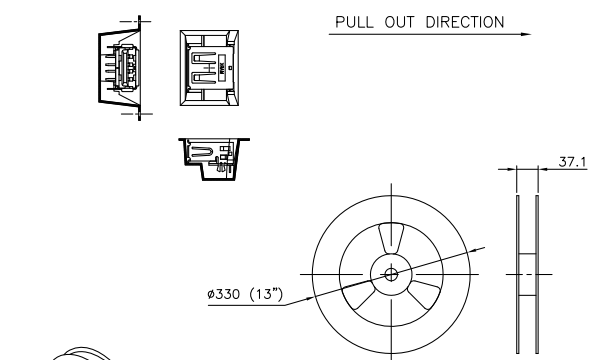
3.70 Kg	1.80 Kg	25	49	1225	6-1734081-1
GROSS WEIGHT	NET WEIGHT	PCS/TUBE	TUBES/CARTON	QUANTITY	PART NUMBER
Tyco Electronics Corporation Taipei, Taiwan		NAME: USB CONNECTOR, RECEPTACLE 4 POSITION, SERIES A			
SIZE	CAGE CODE	DRAWING NO		RESTRICTED TO	
A3	00779	C=1734081		-	
CUSTOMER DRAWING			SCALE	SHEET	REV
			-	18 of 19	E

THIS DRAWING IS UNPUBLISHED. RELEASED FOR PUBLICATION AUG. 2006.
 © COPYRIGHT 2009 BY TYCO ELECTRONICS CORPORATION. ALL RIGHTS RESERVED.

LOC	DIST	REVISIONS			
P	LTR	DESCRIPTION	DATE	DWN	APVD
		SEE SHEET 1.			



- NOTES:
- MATERIAL:
 REEL: PS.
 EMBOSSED CARRIER: PS.
 COVER TAPE: PBT.
 - DIMENSION:
 SHIPPING CARTON: L=350mm,W=350mm, H=350mm
 - PEELING RESISTANCE: 20G TO 130G.
 - PEELING SPEED: 300MM/MIN.



9.50 Kg	4.52 Kg	250	9	2250	1-1734081-5
GROSS WEIGHT	NET WEIGHT	PCS/REEL	REELS/CARTON	QUANTITY	PART NUMBER

THIS DRAWING IS A CONTROLLED DOCUMENT.		DWN	Tyco Electronics Corporation Taipei, Taiwan		
DIMENSIONS: MM		CHK	NAME		
TOLERANCES UNLESS OTHERWISE SPECIFIED:		APVD	USB CONNECTOR, RECEPTACLE 4 POSITION, SERIES A		
0 PLC ± -		PRODUCT SPEC	SIZE		
1 PLC ± -		APPLICATION SPEC	CAGE CODE		
2 PLC ± -		WEIGHT	DRAWING NO		
3 PLC ± -		CUSTOMER DRAWING	A3 00779 C=1734081		
4 PLC ± -		SCALE	RESTRICTED TO		
ANGLES ± -		SHEET	19 of 19		
FINISH		REV	E		