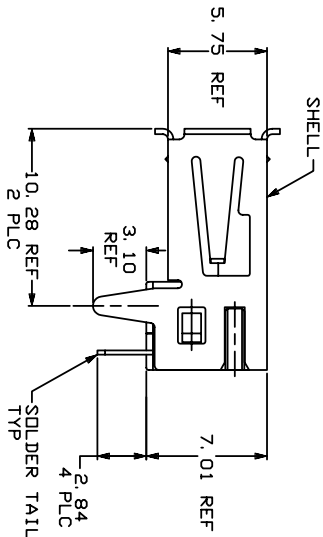
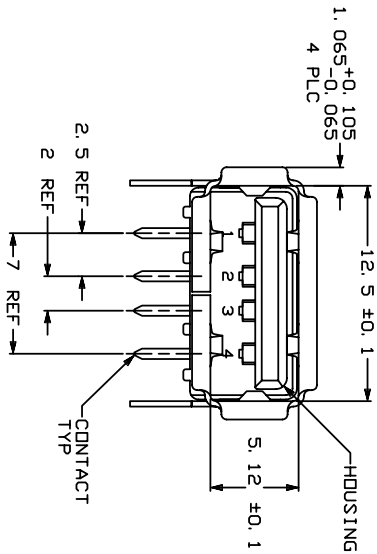
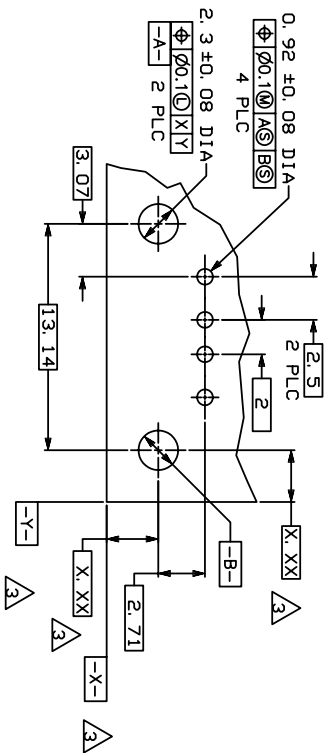


PC BOARD MOUNTING DIMENSIONS



△ MATERIAL:
SHELL & CONTACTS- COPPER ALLOY.
HOUSING- UL 94V-0 RATED, THERMOPLASTIC. COLOR SEE TABLE.

△ PLATING:
CONTACTS- 0.076um MINIMUM GOLD OVER 0.76um MINIMUM PALLADIUM-NICKEL ON MATING AREA.
3.8um MINIMUM MATTE TIN ON SOLDER TAILS.
BOTH OVER 1.27um MINIMUM NICKEL.
CONTACT ALTERNATE PLATING: 0.76um MIN GOLD ON MATING AREA, 3.80um MIN MATTE TIN ON SOLDER TAILS, BOTH OVER 1.27um MIN NICKEL.
SHELL: 2-5um MINIMUM BRIGHT TIN

△ DATUM AND BASIC DIMENSIONS ESTABLISHED BY CUSTOMER.
RECOMMENDED PC BOARD THICKNESS OF 1.57.

THIS DRAWING IS A CONTROLLED DOCUMENT.		REV A		DATE		BY	
DIMENSIONS		UNIT		DESCRIPTION		DATE	
AS SHOWN		MM		REVISED FB00-0215-04		16DEC04	
DIMENSIONS		UNIT		DESCRIPTION		DATE	
AS SHOWN		MM		REVISED FB00-0215-04		16DEC04	
DIMENSIONS		UNIT		DESCRIPTION		DATE	
AS SHOWN		MM		REVISED FB00-0215-04		16DEC04	

YES	NATURAL	6364372-2
NO	BLACK	6364372-1
HIGH TEMPERATURE COMPATIBLE	HOUSING COLOR	PART NUMBER

RECEPTACLE ASSEMBLY,
RIGHT ANGLE, 4 POSITION,
THRU-HOLE, USB