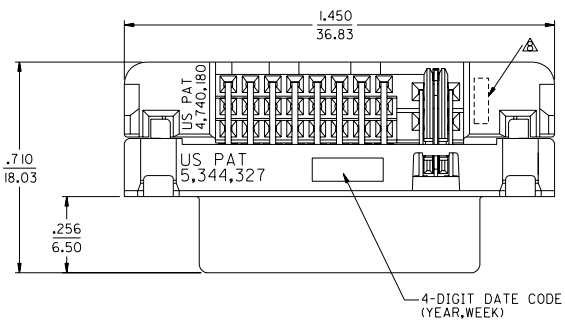
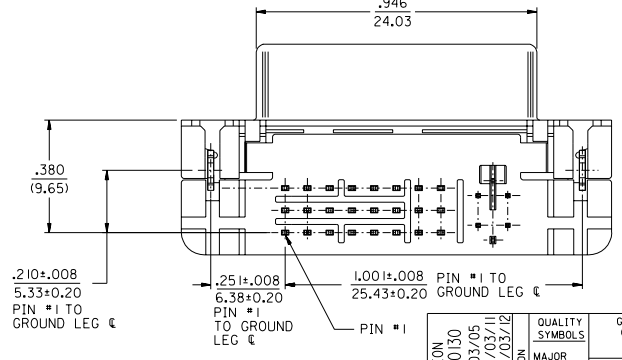
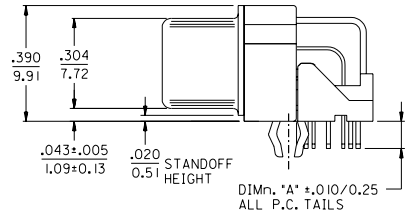
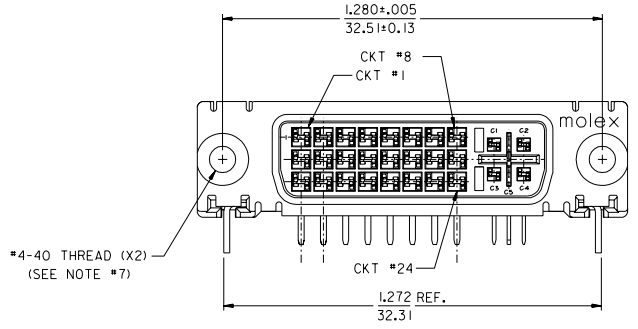
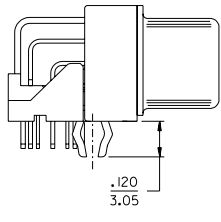


13	12	11	10	9	8	7	6	5	4	3	2	74320
----	----	----	----	---	---	---	---	---	---	---	---	-------

PART NUMBER	DIM 'A'	PLATING OPTION
74320-9010		1
74320-9014	.092/2.34	2



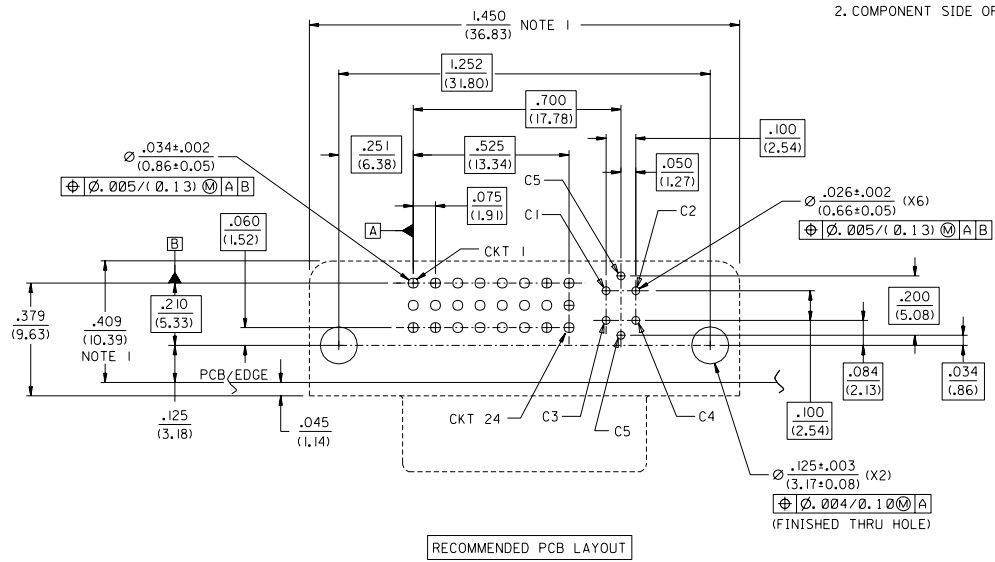
- NOTES:
1. MATERIALS:  
 SHIELD -- DEEP DRAW STEEL.  
 HOUSING -- GLASS FILLED POLYMER, WHITE/NATURAL, UL 94v-0.  
 TAIL ALIGNER -- GLASS FILLED POLYMER, WHITE/NATURAL, UL 94v-0.  
 CONTACTS -- COPPER ALLOY.  
 MICROCROSS GROUND -- COPPER ALLOY.
  2. PLATING: SEE SHEET 2
  3. PRODUCT CONFORMS TO MOLEX PRODUCT SPECIFICATION NUMBER PS-74320-001.
  4. SEE SHEET 2 FOR RECOMMENDED PANEL CUT-OUT AND P.C.B. LAYOUT.
  5. PARTS WILL BE PACKAGED IN TRAYS PER PK-74320-010.
  6. PRODUCT CONFORMS TO DDWG DVI SPECIFICATION. REFER TO THIS SPECIFICATION FOR CONNECTOR MATING DIMENSIONS.
  7. RECOMMENDED MOUNTING HARDWARE IS MOLEX P/N 71781-0001 OR 82007-0300 OR 88780-6066. REFER TO PRODUCT SPECIFICATION NUMBER PS-74320-001 FOR THE APPLICATION TORQUE REQUIREMENT FOR ASSEMBLING MOUNTING HARDWARE.
- △ CAVITY NO. AND MANUFACTURING PLANT CODE.



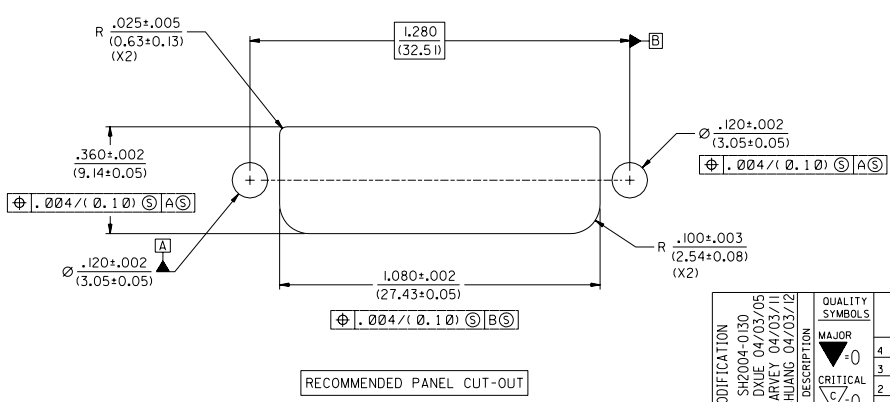
MODIFICATION EC NO. 3R2004-0130 DRW'DXUE 04/03/05 CHK'D HARVEY 04/03/11 APPR'SHJANG 04/03/12	QUALITY SYMBOLS	GENERAL TOLERANCES: (UNLESS SPECIFIED)	SCALE 4 : 1	DESIGN UNITS mm <input type="checkbox"/> INCH <input checked="" type="checkbox"/>	THIRD ANGLE PROJECTION	DIMENSIONS: mm <input type="checkbox"/> INCH <input checked="" type="checkbox"/>	SHT REV
	MAJOR	4 PLACES ±0.	4 : 1	DRAWN BY & DATE TMCCLELL 99/11/16	TITLE: DVI - I	INCH ONLY	REVISE ON CAD ONLY
	CRITICAL	3 PLACES ±0.		CHECKED BY & DATE SCHMIDGA 99/11/16	RIGHT ANGLE RECEPTACLE CONNECTOR W/FORKLOCK	mm ONLY	
		2 PLACES ±0.25		APPROVED BY & DATE NELSON 99/11/16	MATERIAL NO. SD74320026.S01	MOLEX INCORPORATED	
		1 PLACE ±0.25		CAD FILENAME SD74320026.S01	SEE CHART	DRAWING NO. SD-74320-026	SHEET NO. 1 OF 2
				DRAFT WHERE APPLICABLE MUST REMAIN WITHIN DIMENSIONS		THIS DRAWING CONTAINS INFORMATION THAT IS PROPRIETARY TO MOLEX INCORPORATED AND SHOULD NOT BE USED WITHOUT WRITTEN PERMISSION.	

LBORD.DGN REV A 96/06/12 LEVEL 5	12	11	10	9	8	7	6	5	4	3	2	1
-------------------------------------	----	----	----	---	---	---	---	---	---	---	---	---

NOTES:  
 1. THESE DIMENSIONS REPRESENT CONNECTOR OVERLAY ON PCB.  
 2. COMPONENT SIDE OF PCB SHOWN.



RECOMMENDED PCB LAYOUT



RECOMMENDED PANEL CUT-OUT

NOTE:  
 1. PANEL THICKNESS: .030" - .040".

PLATING OPTIONS:

PLATING OPTION #1:

OUTER SHIELD -- 150u"/(3.75um) MIN. BRIGHT TIN OVER 50u"/(1.27um) MIN. NICKEL OVER COPPER FLASH  
 .075"/(1.91mm) CONTACTS -- 30u"/(0.75um) MIN. SELECT GOLD AND 100u"/(2.50um) MIN. SELECT PURE TIN OVER 50u"/(1.27um) MIN. NICKEL OVERALL.

PLATING OPTION #2:

OUTER SHIELD -- 150u"/(3.75um) MIN. BRIGHT TIN OVER 50u"/(1.27um) MIN. NICKEL OVER COPPER FLASH  
 .075"/(1.91mm) CONTACTS -- SELECT GOLD FLASH AND 100u"/(2.50um) MIN. SELECT PURE TIN OVER 50u"/(1.27um) MIN. NICKEL OVERALL.

MODIFICATION EC NO. SH2004-0130 DRWG. DXLE 04/03/05 CHK: HARVEY 04/03/11 APPR: SHUANG 04/03/12	QUALITY SYMBOLS MAJOR CRITICAL REV	GENERAL TOLERANCES: (UNLESS SPECIFIED)		SCALE 4 : 1	DESIGN UNITS <input type="checkbox"/> mm <input checked="" type="checkbox"/> INCH	THIRD ANGLE PROJECTION	DIMENSIONS: <input type="checkbox"/> mm <input checked="" type="checkbox"/> INCH <input type="checkbox"/> mm ONLY <input type="checkbox"/> INCH ONLY	SHT REV	
		4 PLACES ±0.		DRAWN BY & DATE TMCCLELL 99/11/16	TITLE: DVI - I RIGHT ANGLE W/FORKLOCK RECEPTACLE CONNECTOR		MATERIAL NO. SEE CHART	SHEET NO. 2	
		3 PLACES ±0.		CHECKED BY & DATE SCHMIDGA 99/11/16	APPROVED BY & DATE NELSON 99/11/16		MOLEX INCORPORATED		SIZE C
		2 PLACES ±0.25		CAD FILENAME SD74320026.S02		DRAWING NO. SD-74320-026		THIS DRAWING CONTAINS INFORMATION THAT IS PROPRIETARY TO MOLEX INCORPORATED AND SHOULD NOT BE USED WITHOUT WRITTEN PERMISSION.	