

NOTES :

1. MATERIAL :

HOUSING : HIGH TEMPERATURE NYLON , GLASS FIBRE FILLED, UL94-V0 , COLOR: BLACK  
 TERMINAL : PHOSPHOR BRONZE  
 METAL SHELL : DEEP DRAWN STEEL

2. PLATING :

TERMINAL :

CONTACT AREA : (a) GOLD FLASH,  
 (b) GOLD (Au), THICKNESS = 30 MICROINCH MINIMUM.

SOLDER TAIL :

PURE TIN THICKNESS= 75 MICROINCH MINIMUM .  
 UNDER PLATE : NICKEL (Ni), THICKNESS= 50 MICROINCH MINIMUM.  
 METAL SHELL :

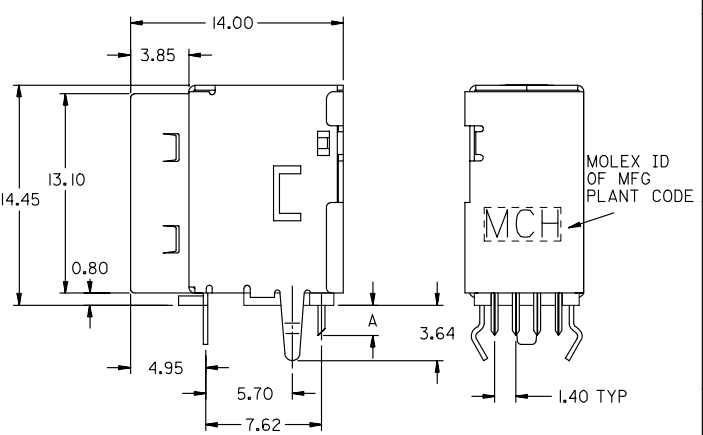
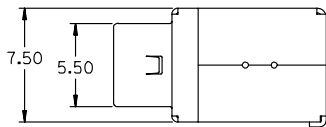
TIN (Sn) ALLOY , THICKNESS= 100 MICROINCH MINIMUM.  
 UNDER PLATE : NICKEL (Ni), THICKNESS= 50 MICROINCH MINIMUM.

3. RECOMMENDED PCB THICKNESS : 1.60±0.05 mm

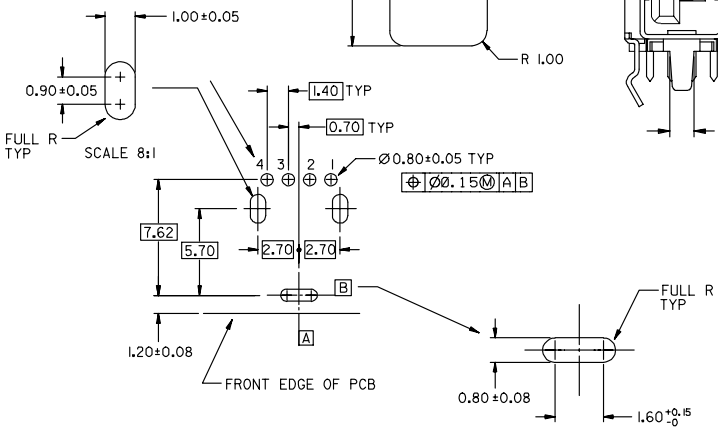
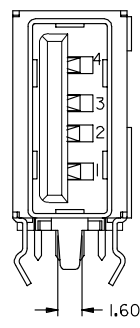
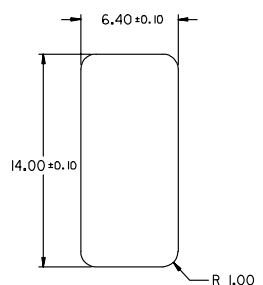
4. PRODUCT SPECIFICATION : REFER TO PS-89485

5. TRAY PACKAGING SPECIFICATION REFER TO : PK-89485-002  
 TUBE PACKAGING SPECIFICATION REFER TO : PK-89485-001  
 TUBE PACKAGING P/N, PLEASE REFER TO SHEET 2,3

DIMENSION "A"	P/N FOR TRAY PACKING	
2.00 <sup>+0.35</sup> <sub>-0.15</sub>	89485-8000	GOLD FLASH PLATING ON CONTACT AREA
	89485-8001	30 MICRO INCH GOLD PLATING ON CONTACT AREA
2.50 <sup>+0.35</sup> <sub>-0.10</sub>	89485-8002	GOLD FLASH PLATING ON CONTACT AREA
	89485-8003	30 MICRO INCH GOLD PLATING ON CONTACT AREA



Recommended Panel Opening



MATERIAL : SEE NOTE				MOLEX TAIWAN LTD. SHEET 1 OF 3	
FINISH : SEE NOTE				GENERAL TOLERANCES	
WIRE RANGE : N/A				ANGLE : * 3° DIM : * .25/.010	
INS. RANGE : N/A				ENG. NO.: SD-89485-003	
REVISION RECORD				TITLE : SINGLE PORT UP-RIGHT USB CONNECTOR (LEAD-FREE)	
REVISION RECORD				SCALE 4:1	

THIS DRAWING CONTAINS INFORMATION THAT IS PROPRIETARY TO MOLEX (FEM) AND SHOULD NOT BE USED WITHOUT WRITTEN PERMISSION MXT, Sg - 13

DO NOT SCALE DRAWING

CAD FILE :

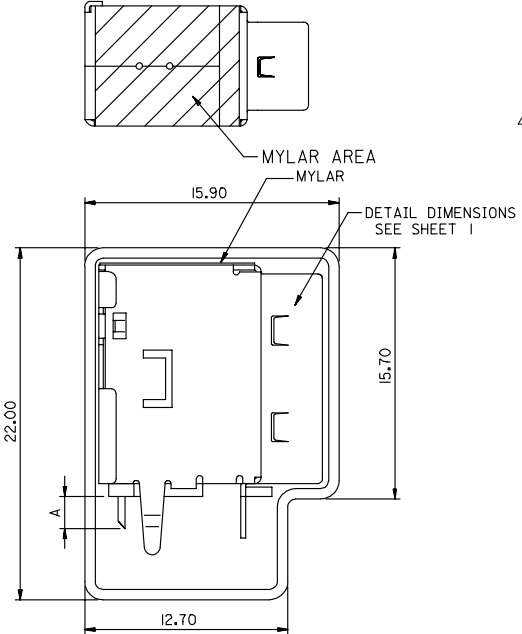
SIMILAR ITEM

EDP NO.

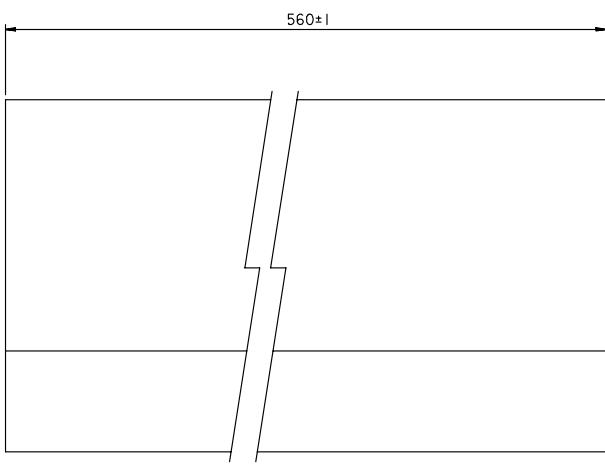
ENG. NO.

ENG. NO.  
EDP NO.  
SIMILAR ITEM  
CADFILE NO.

8 7 6 5 4 3 2 1



NOTE:  
1. DETAIL DIMENSIONS, PLEASE REFER TO SHEET 1 OF SD-89485-003  
2. THE TUBE PACKAGE INCLUDE TWO PLUGS ON RIGHT AND LEFT SIDES.  
3. TUBE PACKAGING SPECIFICATION REFER TO: PK-89485-001



F  
E  
D  
C  
B

DO NOT SCALE DRAWING

PART NUMBER LEGEND:		
P/N FOR TUBE PACKING AND MYLAR ADDITION		
MATERIAL NUMBER	DIMENSION 'A'	PLATING SPECIFICATION
WITH MYLAR	2.00 <sup>+0.35</sup> <sub>-0.15</sub>	89485-8100 GOLD FLASH PLATING ON CONTACT AREA
		89485-8101 30 MICRO INCH GOLD PLATING ON CONTACT AREA
	2.50 <sup>+0.35</sup> <sub>-0.10</sub>	89485-8102 GOLD FLASH PLATING ON CONTACT AREA
		89485-8103 30 MICRO INCH GOLD PLATING ON CONTACT AREA

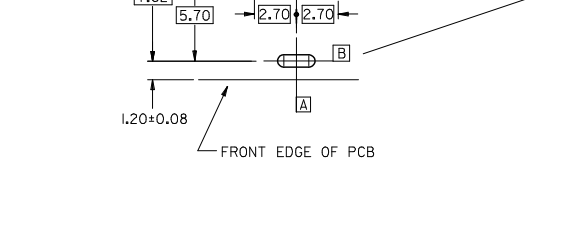
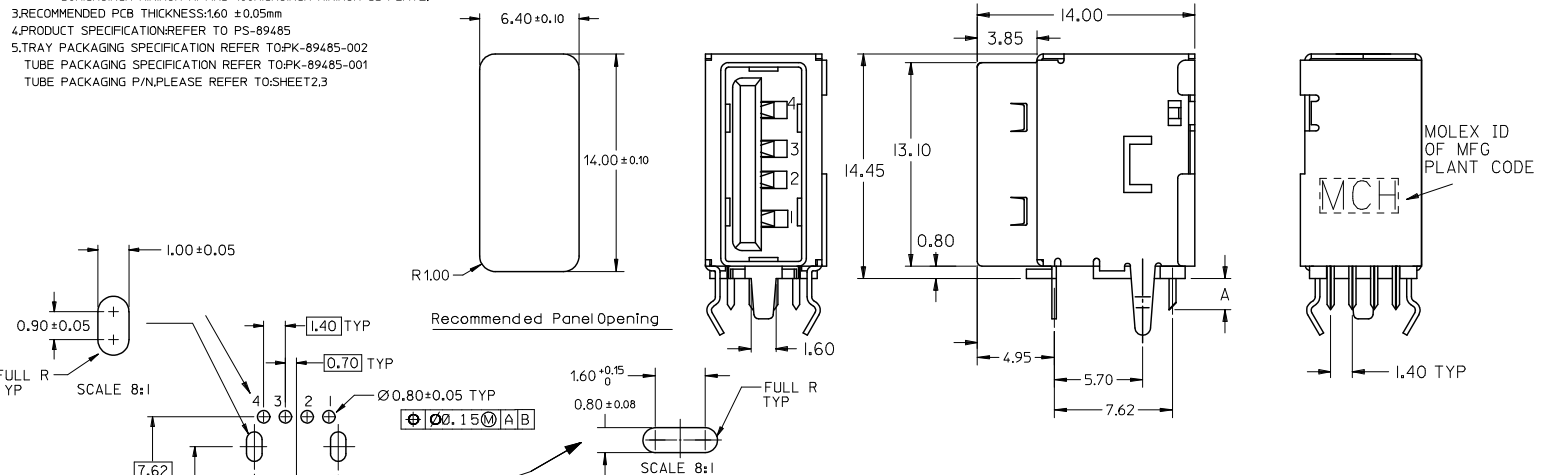
NEW RELEASE EC NO. DRAWN: DAVID HJ 2004/10/28 CHKG APPR	DESCRIPTION REV A	QUALITY SYMBOLS MAJOR = 0 CRITICAL = 0	GENERAL TOLERANCES: (UNLESS SPECIFIED)		SCALE 4 : 1	DESIGN UNITS <input checked="" type="checkbox"/> mm <input type="checkbox"/> INCH	THIRD ANGLE PROJECTION <input type="checkbox"/> INCH <input checked="" type="checkbox"/> mm ONLY	SHT 2	REV 2
			4 PLACES ± .	±.	DRAWN BY & DATE DAVID HJ 2004/10/28	TITLE: USB A UPRIGHT 89485 WITH MYLAR BY TUBE PACKAGE (LEAD-FREE)			
			3 PLACES ± .	±.	CHECKED BY & DATE				
			2 PLACES ±0.25	±.010	APPROVED BY & DATE	MOLEX INCORPORATED			
1 PLACE ±0.25	±.010	CAD FILENAME S8948503S02	MATERIAL NO. SEE TABLE	DRAWING NO. SD-89485-003	SHEET NO. 2				
DRAFT WHERE APPLICABLE MUST REMAIN WITHIN DIMENSIONS			ANGULAR: ±3°			THIS DRAWING CONTAINS INFORMATION THAT IS PROPRIETARY TO MOLEX INCORPORATED AND SHOULD NOT BE USED WITHOUT WRITTEN PERMISSION.			SIZE A3

GC.DGN REV A  
96/06/12 LEVEL 3

A

10	9	8	7	6	5	4	3	2	1
NOTE:				DIMENSION "A"	P/N	PLATING	TERMINAL CONTACT PLATING	TERMINAL SOLDER PLATING	METAL SHELL PLATING
1.MATERIAL:				2.00 <sup>+0.35</sup> <sub>-0.15</sub>	89485-8000	SEE NOTES(a)+(d)	GOLD FLASH	75 MICRO INCH BRIGHT TIN	100 MICRO INCH BRIGHT TIN
HOUSING:HIGH TEMPERATURE NYLON,GLASS FIBRE FILLED,UL94-V0,COLOR:BLACK					89485-8001	SEE NOTES(b)+(d)	30 MICRO INCH GOLD		
TERMINAL:PHOSPHOR BRONZE				2.50 <sup>+0.35</sup> <sub>-0.10</sub>	89485-8002	SEE NOTES(a)+(d)	GOLD FLASH	75 MICRO INCH MATTE TIN	100 MICRO INCH MATTE TIN
METAL SHELL:DEEP DRAWN STEEL					89485-8003	SEE NOTES(b)+(d)	30 MICRO INCH GOLD		
2.PLATING:					89485-8012	SEE NOTES(c)+(e)	GOLD FLASH		

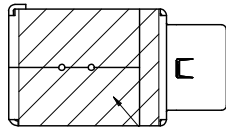
TERMINAL:  
(a)GOLD FIASH ON THE CONTACT AREA,AND 75MICROINCH MINIMUM PURE TIN ON SOLDER TAIL. UNDER 50MICROINCH MINIMUM Ni PLATE.  
(b)30MICROINCH MINIMUM GOLD(Au) ON THE CONTACT AREA, AND 75MICROINCH MINIMUM PURE TIN ON SOLDER TAIL,UNDER 50MICROINCH MINIMUM Ni UNDER PLATE.  
(c)GOLD FIASH ON THE CONTACT AREA,AND 75MICROINCH MINIMUM MATTE TIN ON SOLDER TAIL,UNDER 50MICROINCH MINIMUM Ni PLATE.  
METAL SHELL:  
(d)100MICROINCH MINIMUM BRIGHT TIN ON THE METAL SHELL,AND 50MICROINCH MINIMUM Ni AND 100MICROINCH MINIMUM Cu PLATE.  
(e)100MICROINCH MINIMUM MATTE TIN ON THE METAL SHELL,AND 50MICROINCH MINIMUM Ni AND 100MICROINCH MINIMUM Cu PLATE.  
3.RECOMMENDED PCB THICKNESS:1.60 ±0.05mm  
4.PRODUCT SPECIFICATION REFER TO PS-89485  
5. TRAY PACKAGING SPECIFICATION REFER TO:PK-89485-002  
TUBE PACKAGING SPECIFICATION REFER TO:PK-89485-001  
TUBE PACKAGING P/N,PLEASE REFER TO SHEET 2.3



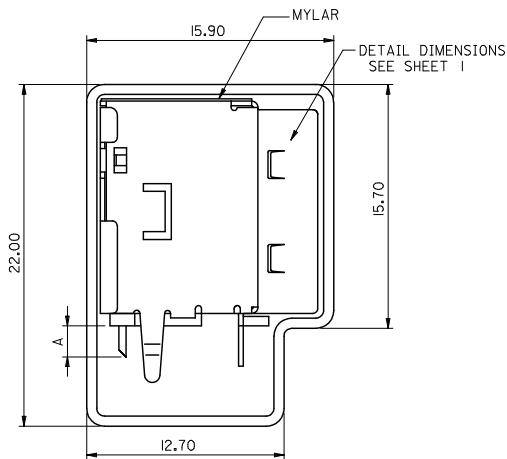
NEW RELEASE EC NO: SH2009-0233 DRAWN:ZHAO CHK:ZHANG APPR:HMANG 2008/12/17 2008/12/17 2008/12/17	QUALITY SYMBOLS	GENERAL TOLERANCES (UNLESS SPECIFIED)	DIMENSION STYLE	SCALE	DESIGN UNITS	THIRD ANGLE PROJECTION	
	▽=0		MM ONLY	4:1	METRIC		
	▽=0		mm INCH	DRAWN BY	DATE	TITLE	
			4 PLACES ± --- ± ---	DAVID HU		SINGLE PORT UP-RIGHT USB CONNECTOR LEAD-FREE	
	3 PLACES ± --- ± ---	2 PLACES ± 0.25 ± .010	CHECKED BY	DATE			
	2 PLACES ± 0.25 ± .010	1 PLACE ± 0.25 ± .010	APPROVED BY	DATE			
	ANGULAR ± 3°		MATERIAL NO.	DATE			
	DRAFT WHERE APPLICABLE MUST REMAIN WITHIN DIMENSIONS		SEE TABLE				
			DOCUMENT NO.				
			SD-89485-003				
			SHEET NO.				
			1 OF 3				

tb\_frame\_A3\_P\_AM\_T  
Rev. E 2006/04/15

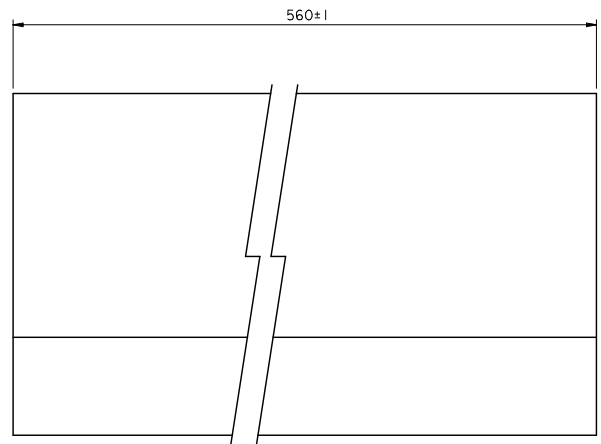
10 9 8 7 6 5 4 3 2 1



MYLAR AREA



NOTE:  
 1. DETAIL DIMENSIONS, PLEASE REFER TO SHEET 1 OF SD-89485-003  
 2. THE TUBE PACKAGE INCLUDE TWO PLUGS ON RIGHT AND LEFT SIDES.  
 3. TUBE PACKAGING SPECIFICATION REFER TO: PK-89485-001



PART NUMBER LEGEND:

P/N FOR TUBE PACKING AND MYLAR ADDITION		
MATERIAL NUMBER	DIMENSION *A*	PLATING SPECIFICATION
89485-8100	2.00 +0.35 -0.15	GOLD FLASH PLATING ON CONTACT AREA
89485-8101		30 MICRO INCH GOLD PLATING ON CONTACT AREA
89485-8102	2.50 +0.35 -0.10	GOLD FLASH PLATING ON CONTACT AREA
89485-8103		30 MICRO INCH GOLD PLATING ON CONTACT AREA

NEW RELEASE	2008/12/02
EC NO: SH2009-0233	2008/12/17
DR: WINEZHAO	2008/12/17
CHK: DRZhang	2008/12/17
APP: HWANG	2008/12/17

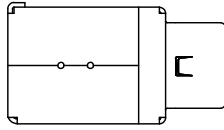
QUALITY SYMBOLS	GENERAL TOLERANCES (UNLESS SPECIFIED)	
	mm	INCH
▽=0	4 PLACES ± --- ± ---	
▽=0	3 PLACES ± --- ± ---	
	2 PLACES ± 0.25 ± .010	
	1 PLACE ± 0.25 ± .010	
	ANGULAR ± 3°	
	DRAFT WHERE APPLICABLE MUST REMAIN WITHIN DIMENSIONS	

DIMENSION STYLE	
MM ONLY	
DRAWN BY	DATE
DAVID HU	
CHECKED BY	DATE
APPROVED BY	DATE
MATERIAL NO.	SEE TABLE
SIZE	A3

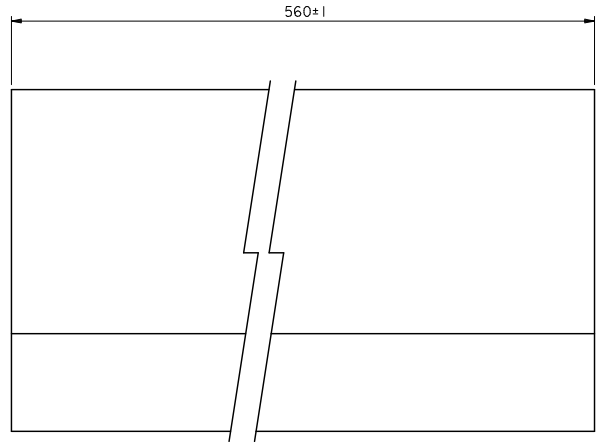
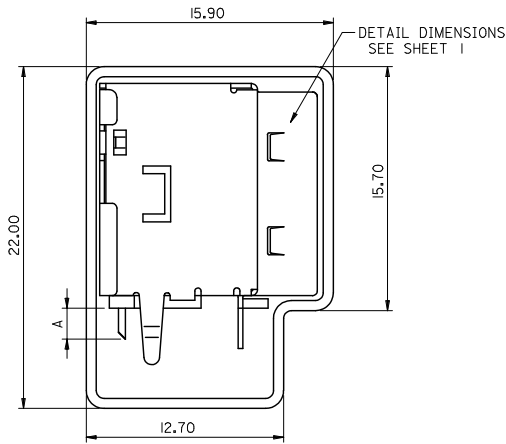
SCALE	4:1	DESIGN UNITS	METRIC	THIRD ANGLE PROJECTION
TITLE				
SINGLE PORT UP-RIGHT USB CONNECTOR LEAD-FREE				
MOLEX INCORPORATED				
DOCUMENT NO.	SD-89485-003	SHEET NO.	2 OF 3	
THIS DRAWING CONTAINS INFORMATION THAT IS PROPRIETARY TO MOLEX INCORPORATED AND SHOULD NOT BE USED WITHOUT WRITTEN PERMISSION				

ib\_frame\_A3\_P\_AM\_T  
 Rev. E 2006/04/15

10 9 8 7 6 5 4 3 2 1



NOTE:  
 1. DETAIL DIMENSIONS, PLEASE REFER TO SHEET 1 OF SD-89485-003  
 2. THE TUBE PACKAGE INCLUDE TWO PLUGS ON RIGHT AND LEFT SIDES.  
 3. TUBE PACKAGING SPECIFICATION REFER TO: PK-89485-001



PART NUMBER LEGEND:

P/N FOR TUBE PACKING		
MATERIAL NUMBER	DIMENSION	PLATING SPECIFICATION
89485-8200	2.00 <sup>+0.35</sup> <sub>-0.15</sub>	GOLD FLASH PLATING ON CONTACT AREA
89485-8201		30 MICRO INCH GOLD PLATING ON CONTACT AREA
89485-8202	2.50 <sup>+0.35</sup> <sub>-0.10</sub>	GOLD FLASH PLATING ON CONTACT AREA
89485-8203		30 MICRO INCH GOLD PLATING ON CONTACT AREA

ib\_frame\_A3\_P\_AM\_T  
 Rev. E 2006/04/15

NEW RELEASE  
 EC NO: SHZ009-0233  
 DR: WNEZHAO 2008/12/02  
 CHK: RZHUANG 2008/12/12  
 APPR: HMMANG 2008/12/17

QUALITY SYMBOLS  
  
 DESCRIPTION

GENERAL TOLERANCES (UNLESS SPECIFIED)	
	mm
4 PLACES	± 0.25
3 PLACES	± 0.10
2 PLACES	± 0.25
1 PLACE	± 0.10
ANGULAR ± 3°	

DRAFT WHERE APPLICABLE MUST REMAIN WITHIN DIMENSIONS

DIMENSION STYLE	
MM ONLY	
DRAWN BY	DATE
DAVID HU	
CHECKED BY	DATE
APPROVED BY	DATE
MATERIAL NO.	DATE
SEE TABLE	

SCALE	DESIGN UNITS	THIRD ANGLE PROJECTION
4:1	METRIC	
TITLE		
SINGLE PORT UP-RIGHT USB CONNECTOR LEAD-FREE		
MOLEX INCORPORATED		
DOCUMENT NO.	SD-89485-003	SHEET NO. 3 OF 3
THIS DRAWING CONTAINS INFORMATION THAT IS PROPRIETARY TO MOLEX INCORPORATED AND SHOULD NOT BE USED WITHOUT WRITTEN PERMISSION		

9 8 7 6 5 4 3 2 1