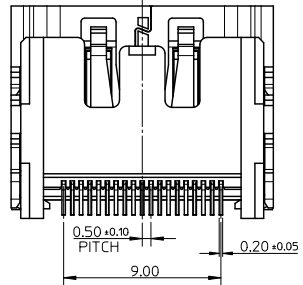
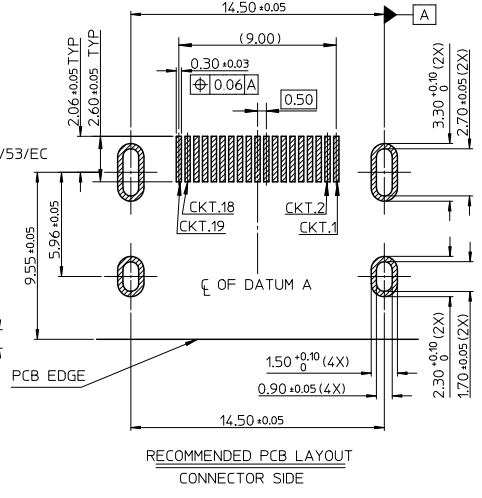
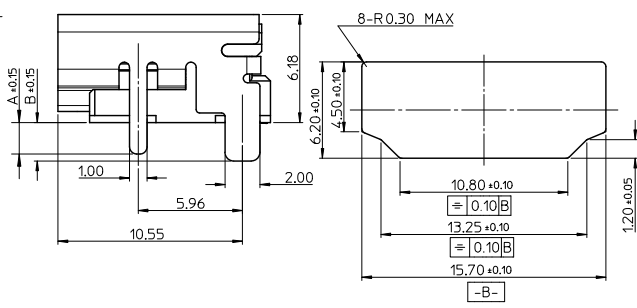
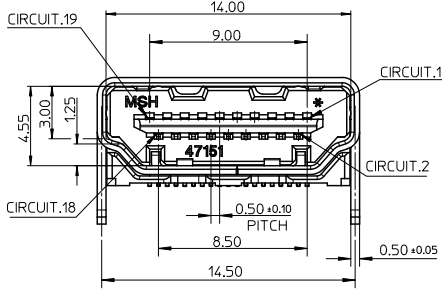
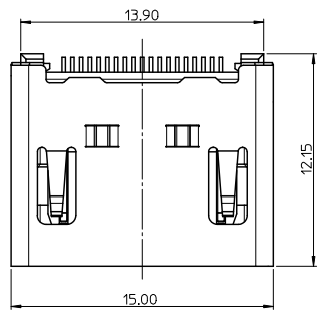
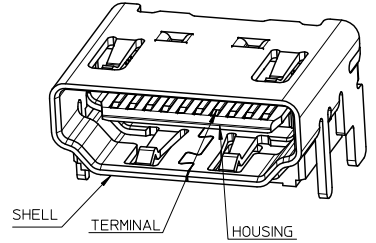


10 9 8 7 6 5 4 3 2 1

- NOTES:
- MATERIAL:  
HOUSING: THERMOPLASTIC . COLOR: SEE TABLE.  
SHELL: COPPER ALLOY.  
TERMINAL: COPPER ALLOY.
  - PLATING:  
TERMINAL:  
CONTACT AREA: (1) 0.76 MICROMETER MIN. GOLD PLATING.  
(2) 0.25 MICROMETER MIN. GOLD PLATING.  
(3) GOLD FLASH.  
(4) 0.375 MICROMETER MIN. GOLD PLATING.  
SOLDER AREA: 1 MICROMETER MIN. TIN-BISMUTH ALLOY PLATED.  
UNDER PLATE: 1.27 MICROMETER MIN. NICKEL.  
SHELL: (a) 1.27 MICROMETER MIN. SOLDERABLE NICKEL PLATE OVERALL.  
(b) GOLD FLASH PLATING OVER 1.27 MICROMETER MIN. NICKEL PLATING OVERALL.
  - COPLANARITY IS 0.1MM MAX.
  - PRODUCT SPECIFICATION REFER TO PS-47152-001.
  - PACKAGE SPECIFICATION FOR WITHOUT FLANGE REFER TO PK-47151-001.
  - PRODUCT COMPLIANT TO RoHS DEIRECTIVE 2002/95/EC AND ELV DIRECTIVE 2000/53/EC



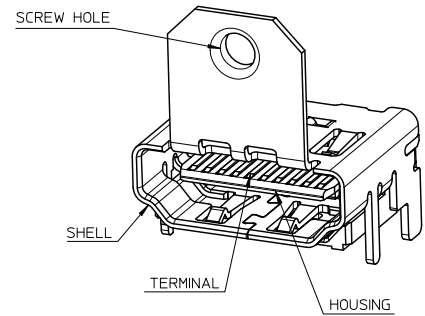
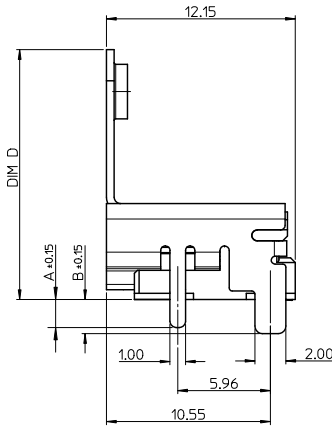
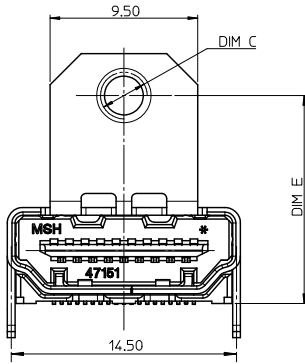
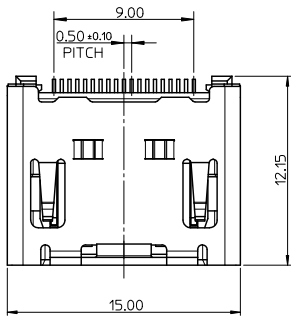
RECOMMENDED PANEL CUT OUT DIMENSION

<b>ADD PART NUMBER</b> EC NO: SH2010-0164 DRAWN BY: RZHANG CHKD BY: CHKDGLL APPR: YTSJONG DATE: 2009/10/20 DATE: 2009/10/21 DATE: 2009/11/30	<b>QUALITY SYMBOLS</b> □=0 □=0 □=0	GENERAL TOLERANCES (UNLESS SPECIFIED)		DIMENSION STYLE MM ONLY		SCALE 5:1	DESIGN UNITS METRIC	THIRD ANGLE PROJECTION	
		4 PLACES ± --- ± ---	mm INCH	DRAWN BY RZHANG	DATE 2004/07/20	TITLE 1.0 HDMI RIGHT ANGLE HEADER ASSEMBLY(19 PIN) LEAD FREE			
		3 PLACES ± --- ± ---		CHECKED BY GRMA	DATE 2004/07/20	MOLEX INCORPORATED			
		2 PLACES ± 0.25 ± ---		APPROVED BY YTYAP	DATE 2004/07/20	MATERIAL NO. SEE SHEET 6	DOCUMENT NO. SD-47151-001	SHEET NO. 1 OF 8	
		1 PLACE ± 0.25 ± ---	ANGULAR ± 3°	DRAFT WHERE APPLICABLE MUST REMAIN WITHIN DIMENSIONS					

ib\_frame\_A3\_P\_AM\_T  
Rev. F 2009/06/18

9 8 7 6 5 4 3 2 1

10 9 8 7 6 5 4 3 2 1

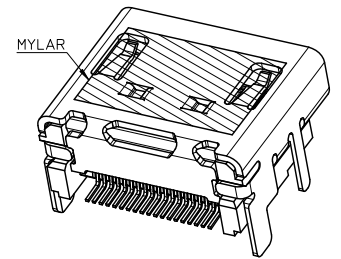
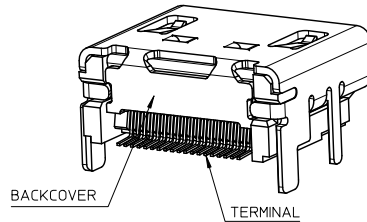
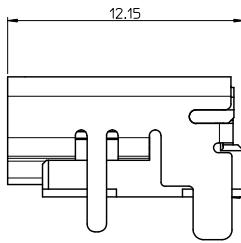
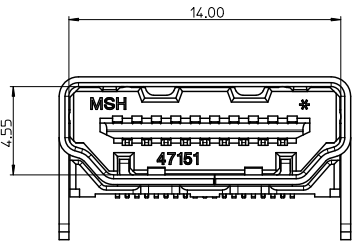
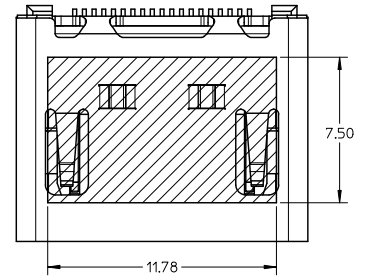
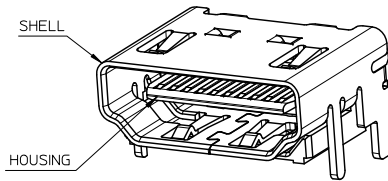
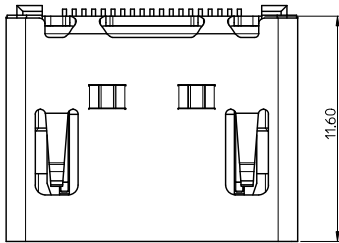


- NOTES:
1. THE UNSPECIFIED DIMENSIONS REFER TO SHEET 1.
  2. PACKAGE SPECIFICATION FOR WITH FLANGE REFER TO PK-47151-002.

SEE SHEET 1 EC NO: SH2010-0164 DRAWN: RZHZHANG 2009/10/20 CHECKED: CHYKSELILI 2009/10/21 APPROVED: JJSONG 2009/11/30	QUALITY SYMBOLS	GENERAL TOLERANCES (UNLESS SPECIFIED)	DIMENSION STYLE	SCALE	DESIGN UNITS	THIRD ANGLE PROJECTION
	▽=0	mm INCH	MM ONLY	5:1	METRIC	
	▽=0	4 PLACES ± --- ± ---	DRAWN BY	DATE	TITLE	
	▽=0	3 PLACES ± --- ± ---	RZHANG	2004/07/20	1.0 HDMI RIGHT ANGLE HEADER ASSEMBLY(19 PIN) LEAD FREE	
	2 PLACES ± 0.25 ± ---	CHECKED BY	DATE			
	1 PLACE ± 0.25 ± ---	GRMA	2004/07/20			
	ANGULAR ± 3 °	APPROVED BY	DATE			
	DRAFT WHERE APPLICABLE MUST REMAIN WITHIN DIMENSIONS	YTYAP	2004/07/20			
		MATERIAL NO.	SEE SHEET 6			
		DOCUMENT NO.				
		SHEET NO.				

10 9 8 7 6 5 4 3 2 1

WITH BACK COVER



NOTES:

1. THE UNSPECIFIED DIMENSIONS REFER TO 47151-0001.
2. PACKAGE SPECIFICATION FOR WITHOUT FLANGE REFER TO PK-47151-001.

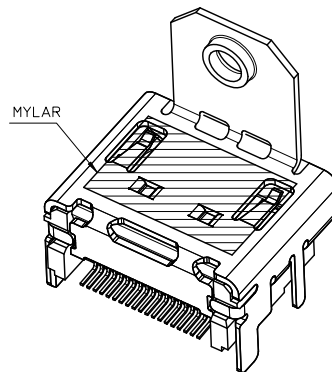
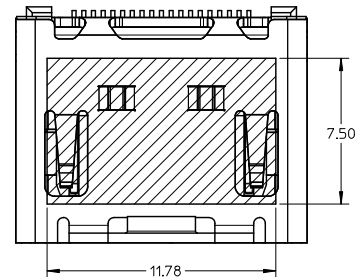
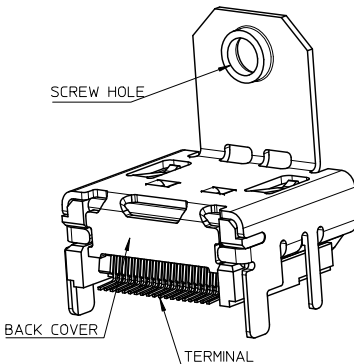
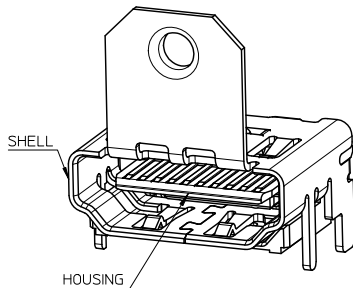
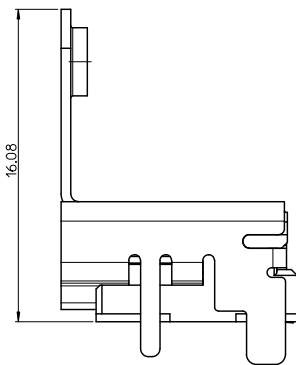
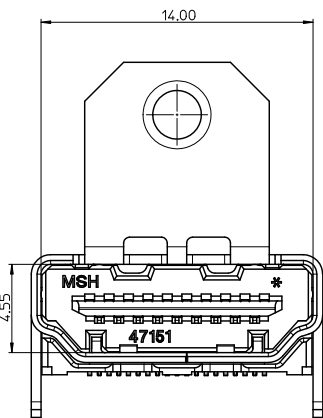
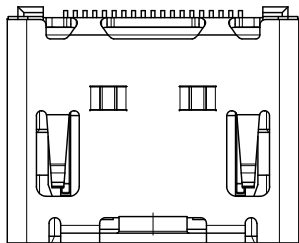
THIS IS ONLY FOR 47151-1061/1071/1081

SEE SHEET 1 EC NO: SH2010-0164 DRWN: XZHANG CHKD: GLLI APPR: XJSONG 2009/10/20 2009/10/21 2009/11/30	QUALITY SYMBOLS	GENERAL TOLERANCES (UNLESS SPECIFIED)	DIMENSION STYLE	SCALE	DESIGN UNITS	THIRD ANGLE PROJECTION
	$\nabla=0$ $\nabla=0$ $\nabla=0$	mm INCH 4 PLACES ± --- ± --- 3 PLACES ± --- ± --- 2 PLACES ± 0.25 ± --- 1 PLACE ± 0.25 ± --- ANGULAR ± 3°	MM ONLY	5:1	METRIC	
	DRAFT WHERE APPLICABLE MUST REMAIN WITHIN DIMENSIONS	DRAWN BY: RZHANG CHECKED BY: GRMA APPROVED BY: YTYAP DATE: 2004/07/20 DATE: 2004/07/20 DATE: 2004/07/20	TITLE	1.0 HDMI RIGHT ANGLE HEADER ASSEMBLY(19 PIN) LEAD FREE		
		MATERIAL NO. SEE SHEET 7 MOLEX INCORPORATED DOCUMENT NO. SD-47151-001 SHEET NO. 3 OF 8				

9 8 7 6 5 4 3 2 1

10 9 8 7 6 5 4 3 2 1

WITH BACK COVER



THIS IS ONLY FOR  
47151-1025/1075/1085/6022/6032/1026/2062

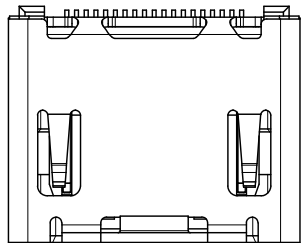
NOTES:

1. THE UNSPECIFIED DIMENSIONS REFER TO 47151-0002.
2. PACKAGE SPECIFICATION FOR WITH FLANGE:  
 OPTION 1: 47151-1026/2062/6032 REFER TO PK-47151-005.  
 OPTION 2: 47151-1102 REFER TO PK-47151-003.  
 OPTION 3: OTHER PART NUMBER REFER TO PK-47151-002.

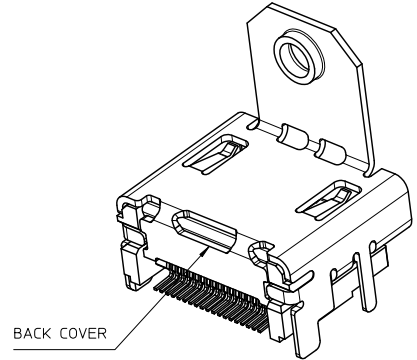
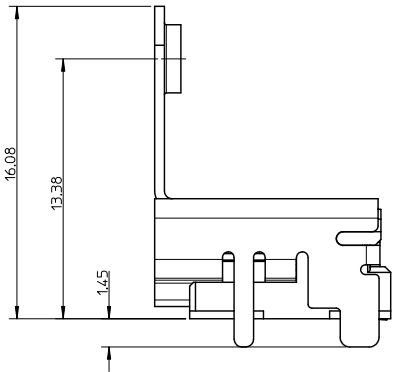
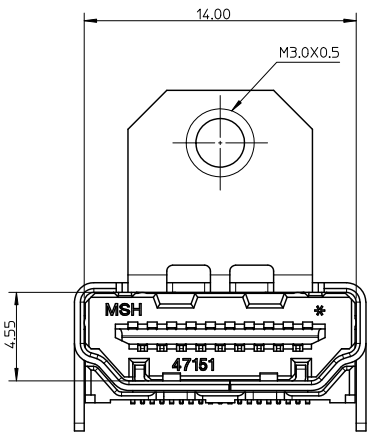
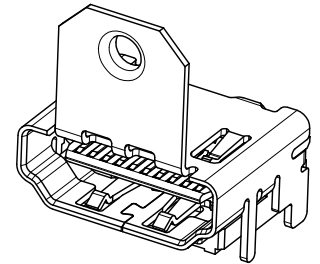
SEE SHEET 1 EC NO: SH2010-0164 2009/10/20 DRWN: XZHANG 2009/10/21 CHK: DGLL 2009/11/20 APPR: JSONG 2009/11/20 DESCRIPTION REV	QUALITY SYMBOLS	GENERAL TOLERANCES (UNLESS SPECIFIED)	DIMENSION STYLE	SCALE	DESIGN UNITS	THIRD ANGLE PROJECTION
	$\nabla=0$ $\nabla=0$ $\nabla=0$	mm INCH 4 PLACES ± --- ± --- 3 PLACES ± --- ± --- 2 PLACES ± 0.25 ± --- 1 PLACE ± 0.25 ± --- ANGULAR ± 3°	MM ONLY	5:1	METRIC	
	DRAFT WHERE APPLICABLE MUST REMAIN WITHIN DIMENSIONS	DRAWN BY: RZHANG DATE: 2004/07/20 CHECKED BY: GRMA DATE: 2004/07/20 APPROVED BY: YTYAP DATE: 2004/07/20	TITLE: 1.0 HDMI RIGHT ANGLE HEADER ASSEMBLY(19 PIN) LEAD FREE	MOLEX INCORPORATED		
	MATERIAL NO. SEE SHEET 8 SIZE: A3 THIS DRAWING CONTAINS INFORMATION THAT IS PROPRIETARY TO MOLEX INCORPORATED AND SHOULD NOT BE USED WITHOUT WRITTEN PERMISSION	DOCUMENT NO. SD-47151-001	SHEET NO. 4 OF 8			

9 8 7 6 5 4 3 2 1

10 9 8 7 6 5 4 3 2 1



WITHOUT TOP HOLE



NOTES:  
 1. THE UNSPECIFIED DIMENSIONS REFER TO 47151-1102.  
 2. PACKAGE SPECIFICATION FOR WITH FLANGE REFER TO PK-47151-002.

SEE SHEET 1 EC NO: SH2010-0164 DRAWN: RZHANG CHECKED BY: CHYKSELLI APPROVED BY: JIANGSONG 2009/10/20 2009/10/21 2009/11/20	QUALITY SYMBOLS	GENERAL TOLERANCES (UNLESS SPECIFIED)	DIMENSION STYLE	SCALE	DESIGN UNITS	THIRD ANGLE PROJECTION
	▽=0	mm INCH	MM ONLY	5:1	METRIC	
	▽=0	4 PLACES ± --- ± ---	DRAWN BY RZHANG	DATE 2004/07/20	TITLE	1.0 HDMI RIGHT ANGLE HEADER ASSEMBLY(19 PIN) LEAD FREE
	▽=0	3 PLACES ± 0.25 ± ---	CHECKED BY GRMA	DATE 2004/07/20	MOLEX INCORPORATED	
		1 PLACE ± 0.25 ± ---	APPROVED BY YTYAP	DATE 2004/07/20	DOCUMENT NO. SD-47151-001	SHEET NO. 5 OF 8
		ANGULAR ± 3 °	MATERIAL NO. SEE SHEET 7	THIS DRAWING CONTAINS INFORMATION THAT IS PROPRIETARY TO MOLEX INCORPORATED AND SHOULD NOT BE USED WITHOUT WRITTEN PERMISSION		
		DRAFT WHERE APPLICABLE MUST REMAIN WITHIN DIMENSIONS	SIZE A 3			

ib\_frame\_A3\_P\_AM\_T Rev. F 2009/06/18 9 8 7 6 5 4 3 2 1

10 9 8 7 6 5 4 3 2 1

ASSEMBLY P/N	DIMENSION					FEATURE				HOUSING COLOUR	GOLD PLATING IN CONTACT AREA	SHELL PLATING	REMARK
	DIM A	DIM B	DIM C	DIM D	DIM E	FLANGE	BACK COVER	TOP HOLES	MYLAR				
47151-0001	1.80	2.20	/	/	/	W/O	W/O	WITH	W/O	BLACK	SEE NOTE 2 (1)	SEE NOTE 2 (a)	FOR SHEET 1
47151-0041										SEE NOTE 2 (2)			
47151-0051										SEE NOTE 2 (3)			
47151-0011										SEE NOTE 2 (1)			
47151-0071										SEE NOTE 2 (2)			
47151-0061										SEE NOTE 2 (3)			
47151-0021	BLACK	SEE NOTE 2 (1)	SEE NOTE 2 (b)										
47151-0031	NATURE	SEE NOTE 2 (1)											
47151-0101	1.45	1.45	/	/	/	W/O	W/O	WITH	W/O	BLACK	SEE NOTE 2 (1)	SEE NOTE 2 (a)	
47151-0141										SEE NOTE 2 (2)			
47151-0151										SEE NOTE 2 (3)			
47151-0111										SEE NOTE 2 (1)			
47151-0181										SEE NOTE 2 (2)			
47151-0161										SEE NOTE 2 (3)			
47151-0121	BLACK	SEE NOTE 2 (1)	SEE NOTE 2 (b)										
47151-0131	NATURE	SEE NOTE 2 (1)											
47151-0002	1.80	2.20	M3.0X0.5	16.08	13.38	WITH	W/O	WITH	W/O	BLACK	SEE NOTE 2 (1)	SEE NOTE 2 (a)	FOR SHEET 2
47151-0042										SEE NOTE 2 (2)			
47151-0062										SEE NOTE 2 (3)			
47151-0012										SEE NOTE 2 (1)			
47151-0052										SEE NOTE 2 (2)			
47151-0072										SEE NOTE 2 (3)			
47151-0022	BLACK	SEE NOTE 2 (1)	SEE NOTE 2 (b)										
47151-0032	NATURE	SEE NOTE 2 (1)											
47151-0102	1.45	1.45	M3.0X0.5	16.08	13.38	WITH	W/O	WITH	W/O	BLACK	SEE NOTE 2 (1)	SEE NOTE 2 (a)	
47151-0142										SEE NOTE 2 (2)			
47151-0162										SEE NOTE 2 (3)			
47151-0112										SEE NOTE 2 (1)			
47151-0152										SEE NOTE 2 (2)			
47151-0172										SEE NOTE 2 (3)			
47151-0122	BLACK	SEE NOTE 2 (1)	SEE NOTE 2 (b)										
47151-0132	NATURE	SEE NOTE 2 (1)											
47151-6002	1.80	2.20	M3.0X0.5	14.25	11.28	WITH	W/O	WITH	W/O	BLACK	SEE NOTE 2 (1)	SEE NOTE 2 (a)	
47151-6062										SEE NOTE 2 (2)			
47151-6082										SEE NOTE 2 (3)			
47151-6102										SEE NOTE 2 (1)			
47151-6172	1.45	1.45	M3.0X0.5	14.25	11.28	WITH	W/O	WITH	W/O	BLACK	SEE NOTE 2 (2)		
47151-6162										SEE NOTE 2 (3)			

<b>SEE SHEET 1</b> EC NO: SH2010-0164 DRAWN: XZHANG 2009/10/20 CHECKED: L CHYKSELLI 2009/10/21 APPROVED: J. SONG 2009/11/30	QUALITY SYMBOLS	GENERAL TOLERANCES (UNLESS SPECIFIED)	DIMENSION STYLE	SCALE	DESIGN UNITS	THIRD ANGLE PROJECTION
	$\nabla=0$ $\nabla=0$ $\nabla=0$	mm INCH	MM ONLY	1:1	METRIC	
	4 PLACES ± --- ± --- 3 PLACES ± --- ± --- 2 PLACES ± 0.25 ± --- 1 PLACE ± 0.25 ± --- ANGULAR ± 3°	DRAWN BY: RZHANG DATE: 2004/07/20 CHECKED BY: GRMA DATE: 2004/07/20 APPROVED BY: YTYAP DATE: 2004/07/20	TITLE	1.0 HDMI RIGHT ANGLE HEADER ASSEMBLY(19 PIN) LEAD FREE		
	DRAFT WHERE APPLICABLE MUST REMAIN WITHIN DIMENSIONS	MATERIAL NO. SEE TABLE SIZE A 3	MOLEX INCORPORATED DOCUMENT NO. SD-47151-001 SHEET NO. 6 OF 8	THIS DRAWING CONTAINS INFORMATION THAT IS PROPRIETARY TO MOLEX INCORPORATED AND SHOULD NOT BE USED WITHOUT WRITTEN PERMISSION		

tb\_frame\_A3\_P\_AM.T Rev. F 2009/06/18 9 8 7 6 5 4 3 2 1

10 9 8 7 6 5 4 3 2 1

ASSEMBLY P/N	DIMENSION					FEATURE				HOUSING COLOUR	GOLD PLATING IN CONTACT AREA	SHELL PLATING	REMARK
	DIM A	DIM B	DIM C	DIM D	DIM E	FLANGE	BACK COVER	TOP HOLES	MYLAR				
47151-1001	1.80	2.20	/	/	/	W/O	WITH	WITH	W/O	BLACK		SEE NOTE 2 (a)	FOR SHEET 3
47151-1041													
47151-1051													
47151-1003													
47151-1061													
47151-1071													
47151-1081													
47151-1011													
47151-1211													
47151-1311													
47151-1021	1.45	1.45	/	/	/	W/O	WITH	WITH	W/O	NATURE	SEE NOTE 2 (a)	FOR SHEET 3	
47151-1091													
47151-1031													
47151-1101													
47151-1141													
47151-1151													
47151-1111													
47151-1161													
47151-1171													
47151-1121													
47151-1131	1.45	1.45	M3.0X0.5	16.08	13.38	WITH	WITH	W/O	W/O	BLACK	SEE NOTE 2 (a)	FOR SHEET 5	
47151-7102													
47151-7142													
47151-7162													

<b>SEE SHEET 1</b> EC NO: SH2010-0164 DRAWN: RZHANG 2009/10/20 CHECKED: L 2009/10/21 APPROVED: XJSONG 2009/11/30	QUALITY SYMBOLS	GENERAL TOLERANCES (UNLESS SPECIFIED)	DIMENSION STYLE	SCALE	DESIGN UNITS	THIRD ANGLE PROJECTION
	$\nabla=0$ $\nabla=0$ $\nabla=0$	mm INCH 4 PLACES ± --- ± --- 3 PLACES ± --- ± --- 2 PLACES ± 0.25 ± --- 1 PLACE ± 0.25 ± --- ANGULAR ± 3°	MM ONLY	1:1	METRIC	
	DESCRIPTION	DRAFT WHERE APPLICABLE MUST REMAIN WITHIN DIMENSIONS	DRAWN BY: RZHANG DATE: 2004/07/20 CHECKED BY: GRMA DATE: 2004/07/20 APPROVED BY: YTYAP DATE: 2004/07/20	TITLE: 1.0 HDMI RIGHT ANGLE HEADER ASSEMBLY(19 PIN) LEAD FREE MOLEX INCORPORATED		
	REV		MATERIAL NO. SEE TABLE	DOCUMENT NO. SD-47151-001	SHEET NO. 7 OF 8	

ib\_frame\_A3\_P\_AM.T Rev. F 2009/06/18 9 8 7 6 5 4 3 2 1

10 9 8 7 6 5 4 3 2 1

ASSEMBLY P/N	DIMENSION					FEATURE				HOUSING COLOUR	GOLD PLATING IN CONTACT AREA	SHELL PLATING	REMARK										
	DIM A	DIM B	DIM C	DIM D	DIM E	FLANGE	BACK COVER	TOP HOLES	MYLAR														
47151-1002	1.80	2.20	M3.0X0.5	16.08	13.38	WITH	WITH	WITH	W/O	BLACK	SEE NOTE 2 (1)	SEE NOTE 2 (a)											
47151-1042									SEE NOTE 2 (2)														
47151-1052									SEE NOTE 2 (3)														
47151-1062									SEE NOTE 2 (4)														
47151-2062									SEE NOTE 2 (4)														
47151-1012									SEE NOTE 2 (1)														
47151-1072									SEE NOTE 2 (2)														
47151-1082									SEE NOTE 2 (3)														
47151-1022									BLACK	SEE NOTE 2 (1)													
47151-1032									NATURE	SEE NOTE 2 (1)	SEE NOTE 2 (b)												
47151-1102	1.45	1.45	M3.0X0.5	16.08	13.38	WITH	WITH	WITH	W/O	BLACK	SEE NOTE 2 (1)	SEE NOTE 2 (a)											
47151-1142									SEE NOTE 2 (2)														
47151-1152									SEE NOTE 2 (3)														
47151-1112									SEE NOTE 2 (1)														
47151-1162									NATURE	SEE NOTE 2 (2)													
47151-1172									SEE NOTE 2 (3)														
47151-1122									BLACK	SEE NOTE 2 (1)													
47151-1132									NATURE	SEE NOTE 2 (1)	SEE NOTE 2 (b)												
47151-1005									1.80	2.20	4-40			16.08	13.38	WITH	WITH	WITH	W/O	BLACK	SEE NOTE 2 (1)	SEE NOTE 2 (a)	
47151-1045																			SEE NOTE 2 (2)				
47151-1065	SEE NOTE 2 (3)																						
47151-1015	SEE NOTE 2 (1)																						
47151-1035	NATURE	SEE NOTE 2 (2)																					
47151-1055	SEE NOTE 2 (3)																						
47151-1025	SEE NOTE 2 (1)																						
47151-1075	SEE NOTE 2 (2)																						
47151-1085	BLACK	SEE NOTE 2 (3)																					
47151-1026	SEE NOTE 2 (1)																						
47151-6012	1.80	2.20	M3.0X0.5	14.25	11.28	WITH	WITH	WITH	W/O	BLACK	SEE NOTE 2 (1)	SEE NOTE 2 (a)											
47151-6042									SEE NOTE 2 (2)														
47151-6052									SEE NOTE 2 (3)														
47151-6022									SEE NOTE 2 (1)														
47151-6032									SEE NOTE 2 (3)														
47151-6112									SEE NOTE 2 (1)														
47151-6142	1.45	1.45						W/O	BLACK	SEE NOTE 2 (2)													
47151-6152										SEE NOTE 2 (3)													

FOR SHEET 4

<b>SEE SHEET 1</b> EC NO: SH2010-0164 DRAWN BY: SHIZHANG 2009/10/20 CHECKED BY: CHYKJGILL 2009/10/21 APPROVED BY: XJJSJONG 2009/11/30	QUALITY SYMBOLS $\nabla=0$ $\nabla=0$ $\nabla=0$	GENERAL TOLERANCES (UNLESS SPECIFIED) <table border="1"> <tr> <th></th> <th>mm</th> <th>INCH</th> </tr> <tr> <td>4 PLACES</td> <td>± 0.15</td> <td>± 0.006</td> </tr> <tr> <td>3 PLACES</td> <td>± 0.20</td> <td>± 0.008</td> </tr> <tr> <td>2 PLACES</td> <td>± 0.25</td> <td>± 0.010</td> </tr> <tr> <td>1 PLACE</td> <td>± 0.30</td> <td>± 0.012</td> </tr> <tr> <td colspan="3">ANGULAR ± 3°</td> </tr> </table>		mm	INCH	4 PLACES	± 0.15	± 0.006	3 PLACES	± 0.20	± 0.008	2 PLACES	± 0.25	± 0.010	1 PLACE	± 0.30	± 0.012	ANGULAR ± 3°			DIMENSION STYLE <b>MM ONLY</b> DRAWN BY: RZHANG DATE: 2004/07/20 CHECKED BY: GRMA DATE: 2004/07/20 APPROVED BY: YTYAP DATE: 2004/07/20	SCALE: 1:1 DESIGN UNITS: METRIC THIRD ANGLE PROJECTION	TITLE: 1.0 HDMI RIGHT ANGLE HEADER ASSEMBLY(19 PIN) LEAD FREE MOLEX INCORPORATED MATERIAL NO. SEE TABLE DOCUMENT NO. SD-47151-001 SHEET NO. 8 OF 8
		mm	INCH																				
	4 PLACES	± 0.15	± 0.006																				
	3 PLACES	± 0.20	± 0.008																				
2 PLACES	± 0.25	± 0.010																					
1 PLACE	± 0.30	± 0.012																					
ANGULAR ± 3°																							
DRAFT WHERE APPLICABLE MUST REMAIN WITHIN DIMENSIONS		THIS DRAWING CONTAINS INFORMATION THAT IS PROPRIETARY TO MOLEX INCORPORATED AND SHOULD NOT BE USED WITHOUT WRITTEN PERMISSION																					

lb\_frame\_A3\_P\_AM\_T  
Rev. F 2009/06/18