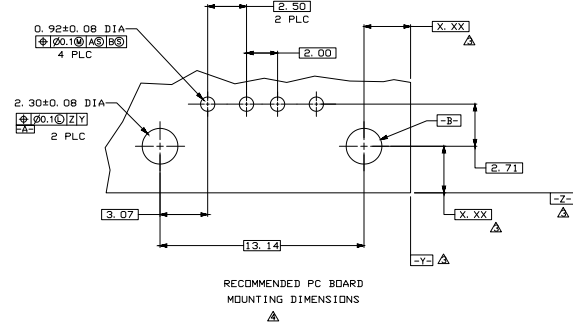
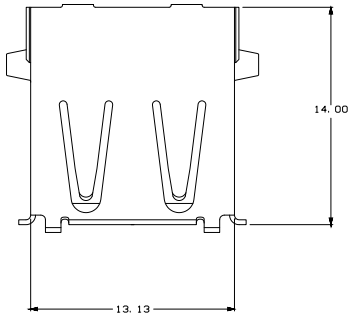


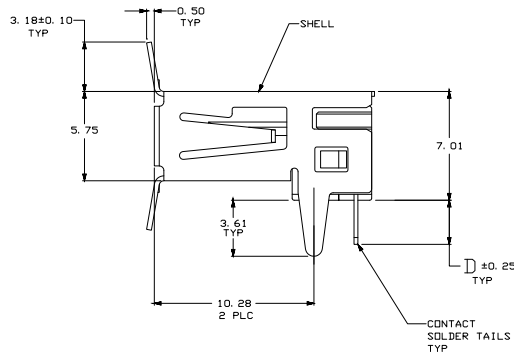
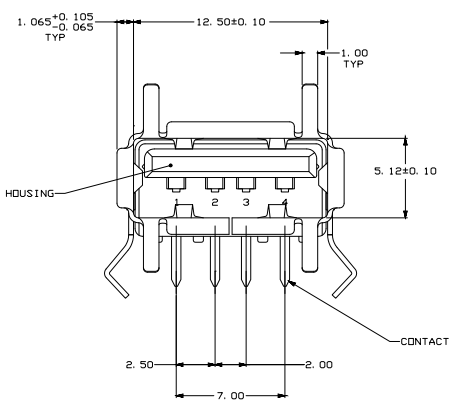
THIS DRAWING IS UNPUBLISHED  
 ALL RIGHTS RESERVED

REV	DATE	DESCRIPTION	BY	CHK
00				
CS		REVISED PER EDD-11-005033	28MAR11	RK HMR



RECOMMENDED PC BOARD MOUNTING DIMENSIONS

- △ MATERIAL: SHELL & CONTACTS- COPPER ALLOY. HOUSING- UL 94V-0 RATED, THERMOPLASTIC, BLACK.
- △ PLATING: CONTACTS- 0.076µm MINIMUM GOLD OVER 0.76µm MINIMUM PALLADIUM-NICKEL ON MATING AREA. 3.8µm MINIMUM MATTE TIN ON SOLDER TAILS. BOTH OVER 1.27µm MINIMUM NICKEL. CONTACT ALTERNATE PLATING: 0.76µm MIN GOLD ON MATING AREA, 3.80µm MIN MATTE TIN ON SOLDER TAILS, BOTH OVER 1.27µm MIN NICKEL. SHELL: 2-5µm MINIMUM BRIGHT TIN OVER 1.0-3.0µm NICKEL.
- △ DATUM AND BASIC DIMENSIONS ESTABLISHED BY CUSTOMER.
- △ RECOMMENDED PC BOARD THICKNESS OF 1.57.
- △ PLATING: CONTACT PLATING: 0.38µm MIN GOLD ON MATING AREA, 3.80µm MIN MATTE TIN ON SOLDER TAILS, BOTH OVER 1.27µm MIN NICKEL. SHELL: 2-5µm MINIMUM BRIGHT TIN OVER 1.0-3.0µm NICKEL.
- △ OBSOLETE PARTS: OBSOLETE CIS STREAMLINING PER D.RENAUD/D.SINISI



REV	DATE	DESCRIPTION	BY	CHK
1	3.30	BLACK		5787761-8
2	3.30	BLACK		5787761-7
3	2.29	BLACK		5787761-6
4	2.84	NATURAL		5787761-5
5	2.29	BLACK		5787761-4
6	2.84	BLACK		5787761-1

THIS DRAWING IS A CONTROLLED DOCUMENT. REV. 1.00 1/2009

TE Connectivity

RECEPTACLE ASSEMBLY, RIGHT ANGLE 4 POS, THRU-HOLE, USB

DATE: 00779 (C) 5787761

CUSTOMER DRAWING