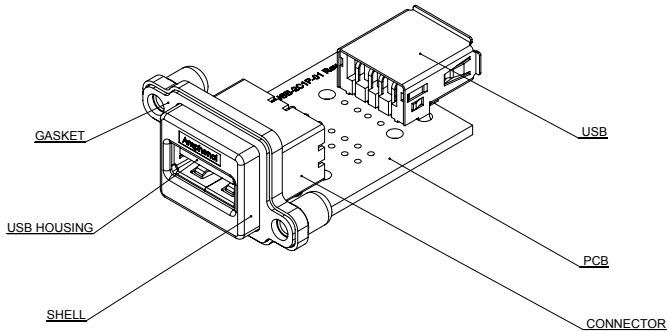
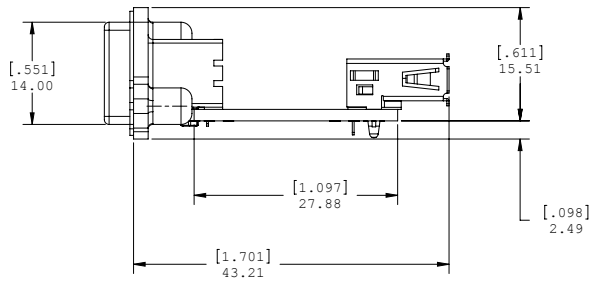
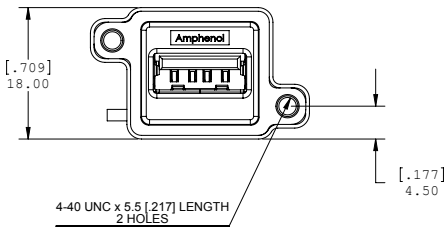
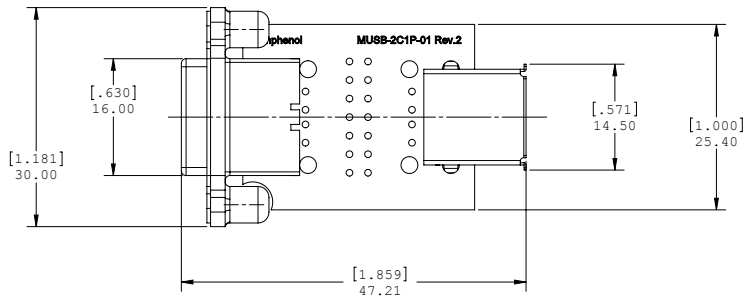


REV	DESCRIPT	DATE	APPRVD



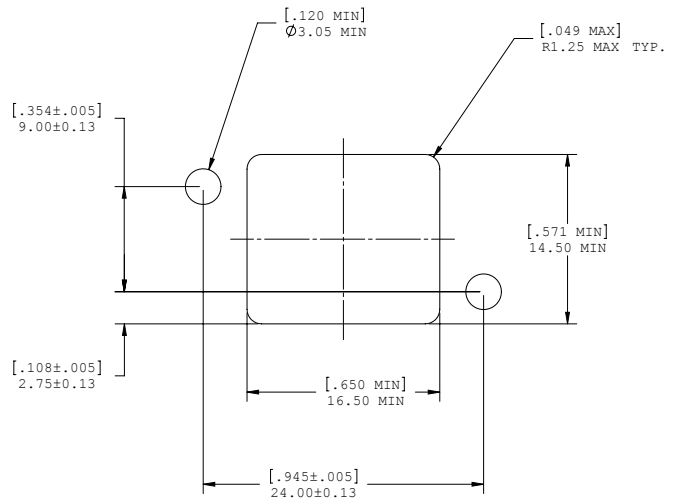
NOTES:

- COMPONENTS:
 - CONNECTOR: MUSB-A111-X0, RECEPTACLE, TYPE A, SINGLE, 4 CONTACTS PER PORT.
 - USB TERMINATION: USB, RECEPTACLE, TYPE A, SINGLE, 4 CONTACTS PER PORT.
- FEATURE: SEALED CONNECTOR IN THE MATED AND UNMATED CONDITIONS.
- OPERATING TEMPERATURE: -40°C TO +105°C.
- ENVIRONMENT PERFORMANCE: IP67.
- ALL COMPONENTS AND MATERIALS USED FOR CONNECTOR AND PACKAGING ARE ROHS COMPLIANT PER EU DIRECTIVE 2002/95/EC AND AMENDMENTS.

UNLESS OTHERWISE SPECIFIED DIMENSIONS ARE IN MILLIMETER TOLERANCES ARE: DECIMALS .XX ±.10 .X ±.25 ANGLES ±1°	APPROVALS	DATE	Amphenol Canada Corp.		
	DRAWN S.SEMENOV	JAN15/06			
	DESIGNED S.SEMENOV	JAN15/06	TITLE USB CONNECTOR, TYPE A, SINGLE, WITH USB TERMINATION		
	CHECKED				
MATERIAL AND FINISH	QA APPD		SIZE C	DWG. NO. P-MUSB-A311-30	REV. 1A
REF.	IE APPD		SCALE 2.5:1	PROJECT MUSB	SHEET 1 OF 2
CODE IDENT. NO.	DWG APPD A.GREEN	JAN15/06			

DO NOT SCALE DRAWING
 THIS DOCUMENT CONTAINS PROPRIETARY INFORMATION AND SUCH INFORMATION MAY NOT BE DISCLOSED TO OTHERS FOR ANY PURPOSE OR USED FOR MANUFACTURING PURPOSES WITHOUT PERMISSION FROM AMPHENOL CANADA CORP.

REV	DESCRIP	DATE	APPRVD



RECOMMENDED PANEL CUTOUT



UNLESS OTHERWISE SPECIFIED DIMENSIONS ARE IN MILLIMETER TOLERANCES ARE:		APPROVALS	DATE	Amphenol Canada Corp.	
DECIMALS	ANGLES	DRAWN	JAN15/06		
XX ± .10	± 1°	S.SEMENOV	JAN15/06		
X ± .25		DESIGNED			
		S.SEMENOV			
MATERIAL AND FINISH		CHECKED		SIZE	DWG. NO.
		QA APP'D		C	P-MUSB-A311-30
REF.		IE APP'D		SCALE	PROJECT
		DWG APP'D		2.5:1	MUSB
CODE IDENT. NO.		A.GREEN	JAN15/06		SHEET
					2 OF 2
					REV
					1A

DO NOT SCALE DRAWING
THIS DOCUMENT CONTAINS PROPRIETARY INFORMATION AND SUCH INFORMATION MAY NOT BE DISCLOSED TO OTHERS FOR ANY PURPOSE OR USED FOR MANUFACTURING PURPOSES WITHOUT PERMISSION FROM AMPHENOL CANADA CORP.