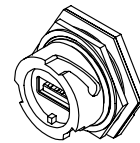
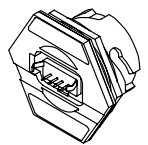


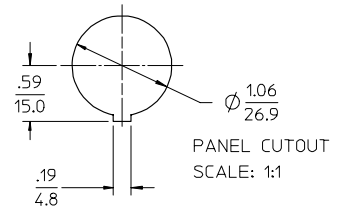
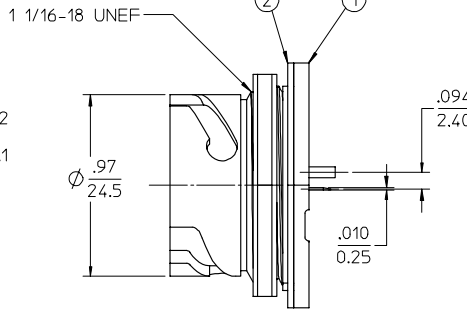
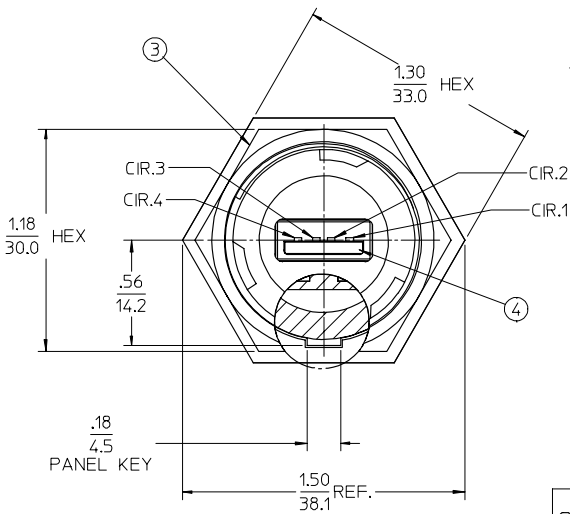
- NOTES:
 1. MATERIAL: SEE TABLE
 2. FINISHES: SEE TABLE
 3. MATES WITH: INDUSTRY STD. BAYONET LOCKING
 USB TYPE A
 4. MAX PANEL THICKNESS .10



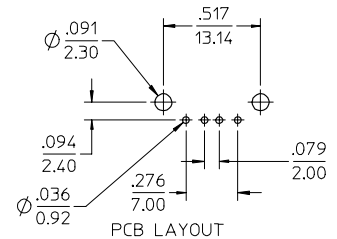
AUX.VIEW Y
SCALE 1:1



AUX.VIEW X
SCALE 1:1



PANEL CUTOUT
SCALE: 1:1



PCB LAYOUT

4	1	USB-A RECEPTACLE, PCB TYPE	VENDOR SPEC.	NI PLATED CONTACTS
3	1	LOCK-NUT	PA	BLACK
2	1	GASKET SEAL	NEOPRENE	BLACK
1	1	USB RECEPTACLE, PANEL MOUNT	PBT	BLACK
ITEM	QTY	DESCRIPTION	MATERIAL	FINISH

RELEASE TO BUILD EC NO: ETC2006-0180 DRAWN BY: DRWINSTONE 2006/01/11 CHECKED BY: CHYKOR DERROSS 2006/01/12 APPROVED BY: APPRDERROSS 2006/01/13	QUALITY SYMBOLS ▽=0 ▽=0	GENERAL TOLERANCES (UNLESS SPECIFIED) <table border="1"> <tr> <th></th> <th>mm</th> <th>INCH</th> </tr> <tr> <td>4 PLACES</td> <td>± .005</td> <td>± .0005</td> </tr> <tr> <td>3 PLACES</td> <td>± .01</td> <td>± .001</td> </tr> <tr> <td>2 PLACES</td> <td>± 0.13</td> <td>± .01</td> </tr> <tr> <td>1 PLACE</td> <td>± 0.25</td> <td>± .01</td> </tr> </table> ANGULAR ±1/2°		mm	INCH	4 PLACES	± .005	± .0005	3 PLACES	± .01	± .001	2 PLACES	± 0.13	± .01	1 PLACE	± 0.25	± .01	DIMENSION STYLE IN/MM	SCALE 2:1	DESIGN UNITS INCH	THIRD ANGLE PROJECTION
		mm	INCH																		
4 PLACES	± .005	± .0005																			
3 PLACES	± .01	± .001																			
2 PLACES	± 0.13	± .01																			
1 PLACE	± 0.25	± .01																			
DRAWN BY: R. STONE CHECKED BY: R. DERROSS APPROVED BY: R. DERROSS	DATE: 05-11-21 DATE: 06-01-05 DATE: 06-01-05	TITLE RECEPTACLE, PANEL MT. USB-A, PCB STYLE	MATERIAL NO. 847290009	DOCUMENT NO. SD-84729-004	SHEET NO. 1 OF 1	MOLEX INCORPORATED															