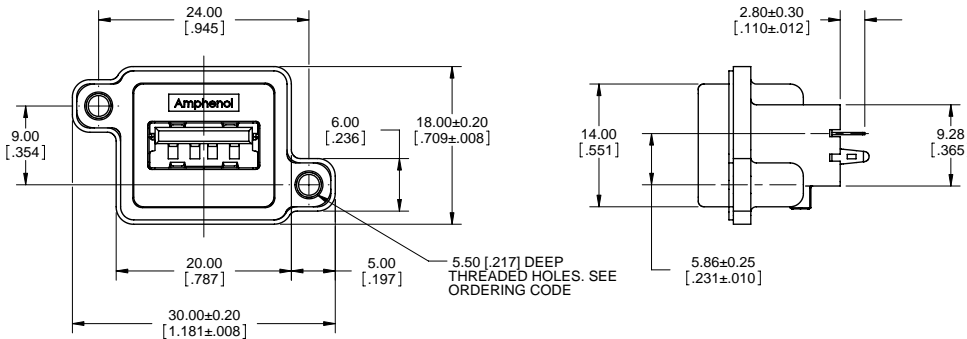


REVISIONS			
REV	DESCRIPTION, ECN, EAR NO.	DATE	APPROVED
F	PRODUCT DRAWING (EAR 13774)	OCT08/10	K.L.



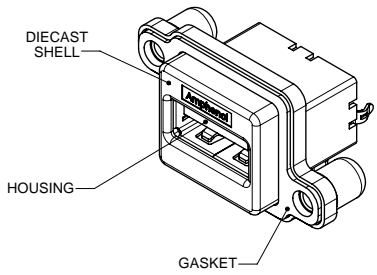
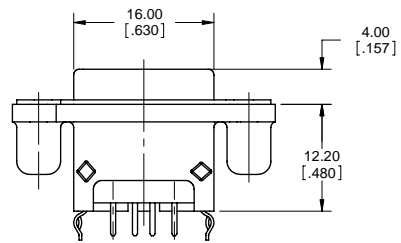
ORDERING CODE: **M U S B - A 5 1 1 - X X**

SERIES, RUGGED USB

USB SERIES 'A' RECEPTACLE, VERTICAL, PCB TAIL

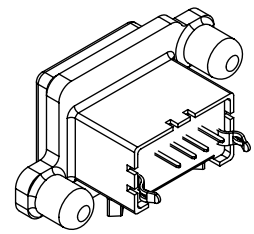
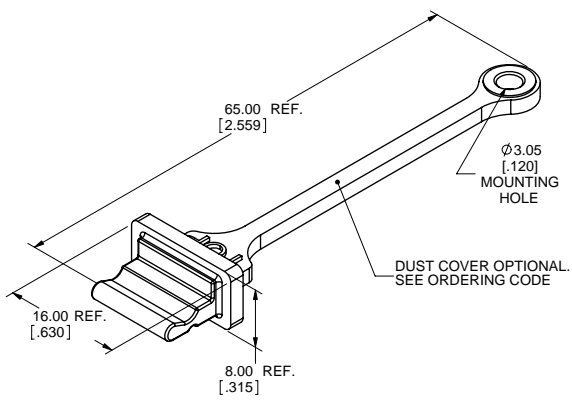
THREAD OPTION
 0=#4-40 UNC THREAD
 M=M3 x 0.5 THREAD

DUST COVER OPTION
 0=NO DUST COVER SUPPLIED
 1=WITH GREY DUST COVER SUPPLIED
 5=WITH BLACK DUST COVER SUPPLIED



NOTES:

- MATERIAL:
 ALL MATERIALS ARE RoHS COMPLIANT PER EU DIRECTIVE 2002/95/EC AND AMENDMENTS
 - OUTER SHELL - DIECAST ZINC, NICKEL PLATED
 - CONTACTS - COPPER ALLOY WITH 30 MICRONS (0.76 MICRONS) GOLD OVER 50 MICRONS (1.27 MICRONS) MINIMUM NICKEL ON THE MATING AREA AND TIN ON THE CONTACT TAILS.
 - USB HOUSING - ENGINEERING THERMOPLASTIC, HIGH TEMPERATURE RESISTANT, UL FLAMMABILITY RATING 94V-0, COLOUR: BLACK
 - USB SHIELD: COPPER ALLOY, NICKEL PLATED
 - GASKET - SILICONE RUBBER, BLACK
 - DUST COVER - SILICONE RUBBER WITH NICKEL PLATED, COPPER ALLOY BUSHING
- ENVIRONMENTAL PERFORMANCE PER IEC 60529 CODE IP67 FOR SEAL BETWEEN MATING AREA AND PCB SIDE OF CONNECTOR. GASKET PROVIDES SEAL TO INSIDE FACE OF ENCLOSURE PANEL. AVAILABLE DUST COVER PROVIDES ADDED PROTECTION.
- CURRENT RATING: 1.5 AMPERES
- CONTACT RESISTANCE: 30 MILLIOHMS MAXIMUM
- OPERATING TEMPERATURE: -40C TO +105C
- DUST COVERS MAY BE ORDERED SEPARATELY. SPECIFY
 - MUSB-2A111-014BP FOR GREY DUST COVER
 - MUSB-2A111-024BP FOR BLACK DUST COVER
 SEE PAGE 2 FOR APPLICATION VIEW.

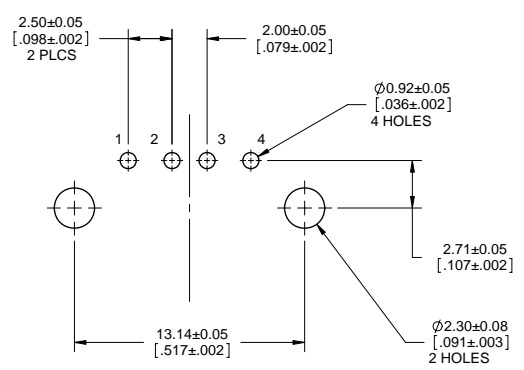


UNLESS SPECIFIED OTHERWISE	DRAWN	S.SEMENOV	DEC13/05
PRIMARY UNITS MILLIMETERS	CHECKED	S.SEMENOV	DEC13/05
SECONDARY INCHES	M.E. APP'D		
REFERENCE IN PARENTHESES	Q.A. APP'D		
GENERAL TOLERANCES	DWG APPR.	K.BOUTROS	DEC13/05
1 DECIMAL PLACE	ENG. REL. NO.		
2 DECIMAL PLACES ±0.15	REF.		
3 DECIMAL PLACES	THIRD ANGLE PROJECTION		
ANGULAR DEGREES	DO NOT SCALE DRAWING		

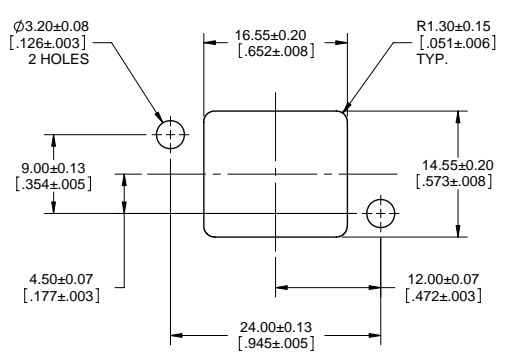
Amphenol Canada Corp.	
MUSB SERIES RUGGED USB RECEPTACLE, SERIES 'A' INTERFACE, VERTICAL PCB MOUNT, RoHS COMPLIANT	
DWG. NO.	P-MUSB-A511-XX
REV	F
CODE ID NO. 03554	DWG SIZE: C SCALE: 3:1 SHEET 1 OF 2

THIS DOCUMENT CONTAINS PROPRIETARY INFORMATION AND SUCH INFORMATION MAY NOT BE DISCLOSED TO OTHERS FOR ANY PURPOSE OR USED FOR MANUFACTURING PURPOSES WITHOUT WRITTEN PERMISSION FROM AMPHENOL CANADA CORP.

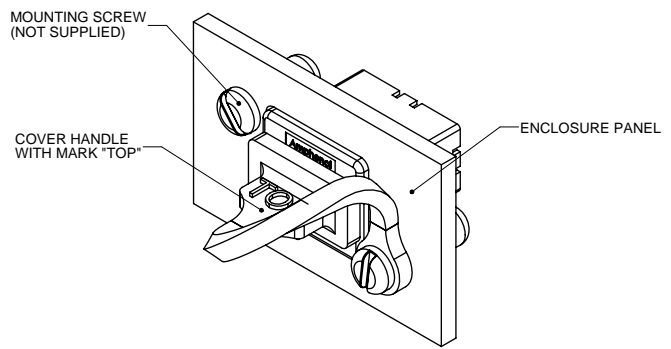
REVISIONS			
REV	DESCRIPTION, ECN, EAR NO.	DATE	APPROVED
F	PRODUCT DRAWING (EAR 13774)	OCT08/10	K.L.



RECOMMENDED PCB LAYOUT



**RECOMMENDED PANEL CUTOUT
(OUTSIDE FACE OF PANEL)**



DUST COVER APPLICATION



UNLESS SPECIFIED OTHERWISE	DRAWN	S.SEMENOV	DEC13/05
PRIMARY UNITS MILLIMETERS	CHECKED	S.SEMENOV	DEC13/05
SECONDARY INCHES	M.E. APP'D		
REFERENCE IN PARENTHESES	Q.A. APP'D		
GENERAL TOLERANCES	DWG APPR.	K.BOUTROS	DEC13/05
1 DECIMAL PLACE	ENG. REL. NO.		
2 DECIMAL PLACES ±0.15	REF.		
3 DECIMAL PLACES	THIRD ANGLE PROJECTION		
ANGULAR DEGREES	DO NOT SCALE DRAWING		

Amphenol Canada Corp.

MUSB SERIES RUGGED USB RECEPTACLE, SERIES 'A' INTERFACE, VERTICAL PCB MOUNT, RoHS COMPLIANT

DWG. NO. **P-MUSB-A511-XX** REV. **F**

CODE ID NO. 03554 DWG SIZE: C SCALE: 3:1 SHEET 2 OF 2

THIS DOCUMENT CONTAINS PROPRIETARY INFORMATION AND SUCH INFORMATION MAY NOT BE DISCLOSED TO OTHERS FOR ANY PURPOSE OR USED FOR MANUFACTURING PURPOSES WITHOUT WRITTEN PERMISSION FROM AMPHENOL CANADA CORP.