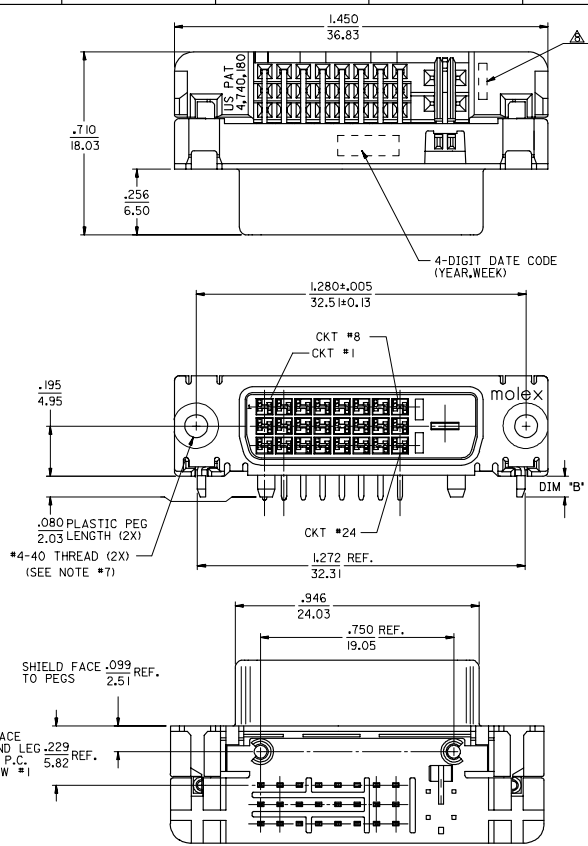
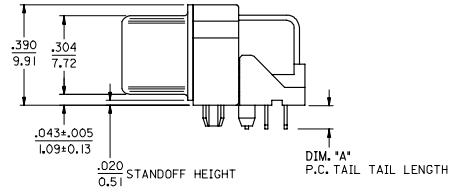


10 9 8 7 6 5 4 3 2 1

F
E
D
C
B
A

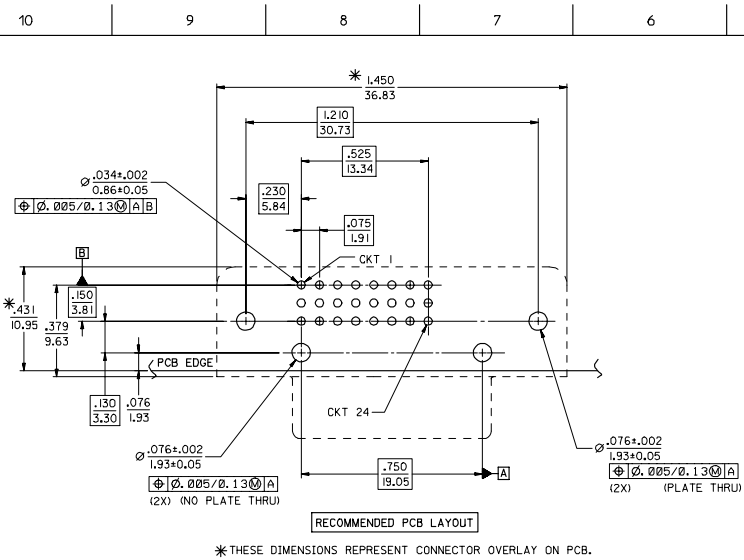


- NOTES:
- MATERIALS:
 - SHIELD -- DEEP DRAW STEEL.
 - HOUSING -- GLASS FILLED POLYMER, NATURAL (WHITE), UL 94v-0.
 - TAIL ALIGNER -- GLASS FILLED POLYMER, NATURAL (WHITE), UL 94v-0.
 - CONTACTS -- COPPER ALLOY.
 - MICROGROSS GROUND -- COPPER ALLOY.
 - PLATING: SEE SHEET 2
 - PRODUCT CONFORMS TO MOLEX PRODUCT SPECIFICATION NUMBER PS-74320-001. REFER TO THIS SPECIFICATION FOR SPACING ON A P.C.B. OF TWO OR MORE CONNECTORS WHEN USING A CABLE OR AN ADAPTER ASSEMBLY.
 - SEE SHEET 2 FOR RECOMMENDED PANEL CUT-OUT AND P.C.B. LAYOUT.
 - PARTS WILL BE PACKAGED IN TRAYS PER PK-74320-010.
 - PRODUCT CONFORMS TO DDWG DVI SPECIFICATION. REFER TO THIS SPECIFICATION FOR CONNECTOR MATING DIMENSIONS.
 - RECOMMENDED MOUNTING HARDWARE IS MOLEX P/N 71781-0001 OR 88780-6066 OR 82007-0300. REFER TO PRODUCT SPECIFICATION NUMBER PS-74320-001 FOR THE APPLICATION TORQUE REQUIREMENT FOR ASSEMBLING MOUNTING HARDWARE.
- △ CAVITY NO. AND MANUFACTURING PLANT CODE.



PART NUMBER	PLATING OPTION	DIM 'A'	DIM 'B'	QUALITY SYMBOLS	GENERAL TOLERANCES (UNLESS SPECIFIED)		DIMENSION STYLE IN/MM		SCALE 2:1	DESIGN UNITS INCH	THIRD ANGLE PROJECTION
					mm	INCH	DRAWN BY	DATE			
74320-4000	1	.092/2.34	.080±.020	▽=0	4 PLACES ± --- ± ---	MOSULL IV	1999/02/12	TITLE DVI-DIGITAL RIGHT ANGLE RECEPTACLE CONNECTOR MOLEX INCORPORATED MATERIAL NO. SD-74320-003 DOCUMENT NO. 1 OF 2			
74320-4001	1	.050/1.27	2.03±0.51	▽=0	3 PLACES ± --- ± .010	CHECKED BY	DATE				
74320-4003	1	.123/3.12	.110/2.79		2 PLACES ± 0.25 ± .010	MOSULL IV	1999/02/12				
74320-4004	2	.092/2.34	.080±.020		1 PLACE ± 0.25 ± .010	APPROVED BY	DATE				
74320-4005	2	.050/1.27	2.03±0.51		ANGULAR ±17.2°	NELLIGAN	1999/02/12				
74320-4016	2	.110/2.79	.110/2.79		DRAFT WHERE APPLICABLE MUST REMAIN WITHIN DIMENSIONS	SEE CHART					
74320-4007	2	.123/3.12	.110/2.79		SIZE A3	THIS DRAWING CONTAINS INFORMATION THAT IS PROPRIETARY TO MOLEX INCORPORATED AND SHOULD NOT BE USED WITHOUT WRITTEN PERMISSION					

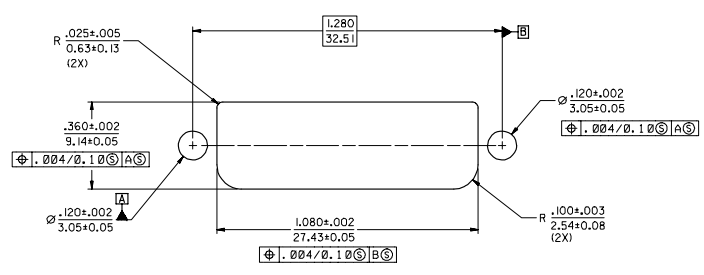
tb_frame_A3_P_AM_T
Rev. E 2006/04/15



PLATING OPTIONS:

PLATING OPTION #1:
 OUTER SHIELD -- 150u"/(3.75um) MIN. BRIGHT TIN OVER
 50u"/(1.27um) MIN. NICKEL OVER COPPER FLASH.
 .075"/(1.91mm) CONTACTS -- 30u"/(0.75um) MIN. SELECT GOLD AND
 100u"/(2.50um) MIN. SELECT PURE TIN
 OVER 50u"/(1.27um) MIN. NICKEL OVERALL.

PLATING OPTION #2:
 OUTER SHIELD -- 150u"/(3.75um) MIN. BRIGHT TIN OVER
 50u"/(1.27um) MIN. NICKEL OVER COPPER FLASH.
 .075"/(1.91mm) CONTACTS -- SELECT GOLD FLASH AND
 100u"/(2.50um) MIN. SELECT PURE TIN
 OVER 50u"/(1.27um) MIN. NICKEL OVERALL.



SEE SHEET 1 EC NO. SH2007-0732 DRAWN BY: TIDRWINX ISONG CHECKED BY: CHIKO-TIAN APPR: JIN-CHEN 2007/06/04 2007/06/05 2007/06/22	QUALITY SYMBOLS ▽=0 ▽=0	GENERAL TOLERANCES (UNLESS SPECIFIED) <table border="1"> <tr> <th></th> <th>mm</th> <th>INCH</th> </tr> <tr> <td>4 PLACES</td> <td>± .005</td> <td>± .0005</td> </tr> <tr> <td>3 PLACES</td> <td>± .010</td> <td>± .0010</td> </tr> <tr> <td>2 PLACES</td> <td>± 0.25</td> <td>± .010</td> </tr> <tr> <td>1 PLACE</td> <td>± 0.25</td> <td>± .010</td> </tr> <tr> <td colspan="3">ANGULAR ±1/2°</td> </tr> </table>		mm	INCH	4 PLACES	± .005	± .0005	3 PLACES	± .010	± .0010	2 PLACES	± 0.25	± .010	1 PLACE	± 0.25	± .010	ANGULAR ±1/2°			DIMENSION STYLE IN/MM DRAWN BY: MOSULL IV DATE: 1999/02/12 CHECKED BY: MOSULL IV DATE: 1999/02/12 APPROVED BY: NELL IGAN DATE: 1999/02/12	SCALE 2:1 DESIGN UNITS INCH THIRD ANGLE PROJECTION	TITLE DVI-DIGITAL RIGHT ANGLE RECEPTACLE CONNECTOR MOLEX INCORPORATED
		mm	INCH																				
	4 PLACES	± .005	± .0005																				
	3 PLACES	± .010	± .0010																				
2 PLACES	± 0.25	± .010																					
1 PLACE	± 0.25	± .010																					
ANGULAR ±1/2°																							
DRAFT WHERE APPLICABLE MUST REMAIN WITHIN DIMENSIONS		MATERIAL NO. SEE CHART	DOCUMENT NO. SD-74320-003	SHEET NO. 2 OF 2																			
THIS DRAWING CONTAINS INFORMATION THAT IS PROPRIETARY TO MOLEX INCORPORATED AND SHOULD NOT BE USED WITHOUT WRITTEN PERMISSION																							