

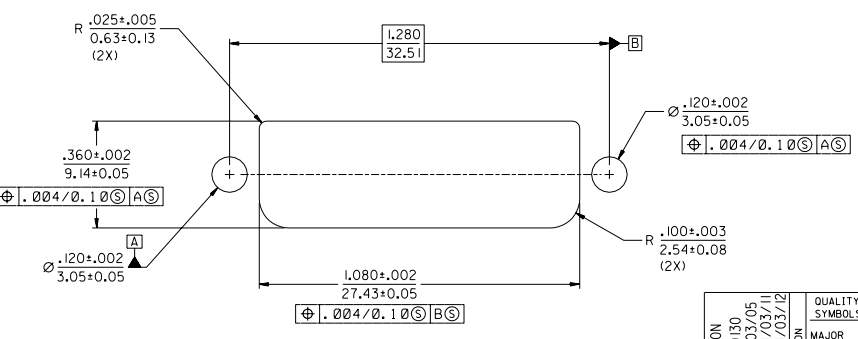
**PLATING OPTIONS:**

**PLATING OPTION #1:**

- OUTER SHIELD -- 150u"/3.75um MIN. BRIGHT TIN OVER 50u"/1.27um MIN. NICKEL OVER COPPER FLASH.
- .075"/1.9mm CONTACTS -- 30u"/0.75um MIN. SELECT GOLD AND 100u"/2.50um MIN. SELECT PURE TIN OVER 50u"/1.27um MIN. NICKEL OVERALL.
- .100"/2.54mm CONTACTS -- 30u"/0.75um MIN. SELECT GOLD AND 100u"/2.50um MIN. SELECT PURE TIN OVER 50u"/1.27um MIN. NICKEL OVERALL.
- MICROCROSS GROUND -- 30u"/0.75um MIN. SELECT GOLD AND 100u"/2.50um MIN. SELECT PURE TIN OVER 50u"/1.27um MIN. NICKEL OVERALL.

**PLATING OPTION #2:**

- OUTER SHIELD -- 150u"/3.75um MIN BRIGHT TIN OVER 50u"/1.27um MIN. NICKEL OVER COPPER FLASH.
- .075"/1.9mm CONTACTS -- SELECT GOLD FLASH AND 100u"/2.50um MIN. SELECT PURE TIN OVER 50u"/1.27um MIN. NICKEL OVERALL.
- .100"/2.54mm CONTACTS -- SELECT GOLD FLASH AND 100u"/2.50um SELECT PURE TIN OVER 50u"/1.27um MIN. NICKEL OVERALL.
- MICROCROSS GROUND -- 30u"/0.75um MIN. SELECT GOLD AND 100u"/2.50um MIN. SELECT PURE TIN OVER 50u"/1.27um MIN. NICKEL OVERALL.



**RECOMMENDED PANEL CUT-OUT**  
 PANEL THICKNESS: .030/0.76 - .040/1.02

MODIFICATION EC NO. SH2004-0130 DRW: DXLE 04/03/05 CHK: HARVEY 04/03/11 APPR: SHUANG 04/03/12	QUALITY SYMBOLS MAJOR CRITICAL MINOR	GENERAL TOLERANCES: (UNLESS SPECIFIED)		SCALE 4 : 1	DESIGN UNITS [ ] mm [X] INCH	THIRD ANGLE PROJECTION	DIMENSIONS: [ ] INCH ONLY [ ] mm ONLY	SHT REV		
		4 PLACES ±0. ±.		DRAWN BY & DATE MOSULLIV 97/03/06		TITLE: DVI - INTERGRATED VERTICAL RECEPTACLE CONNECTOR				
		3 PLACES ±0. ±.010		CHECKED BY & DATE MOSULLIV 97/03/07		MATERIAL NO. SEE CHART			DRAWING NO. SD-74320-002	SHEET NO. 2
		2 PLACES ±0.25 ±.010		APPROVED BY & DATE NELLIGAN 97/03/07		MOLEX INCORPORATED			SIZE C	
1 PLACE ±0. ±.		ANGULAR: ± 1/2°		THIS DRAWING CONTAINS INFORMATION THAT IS PROPRIETARY TO MOLEX INCORPORATED AND SHOULD NOT BE USED WITHOUT WRITTEN PERMISSION.						