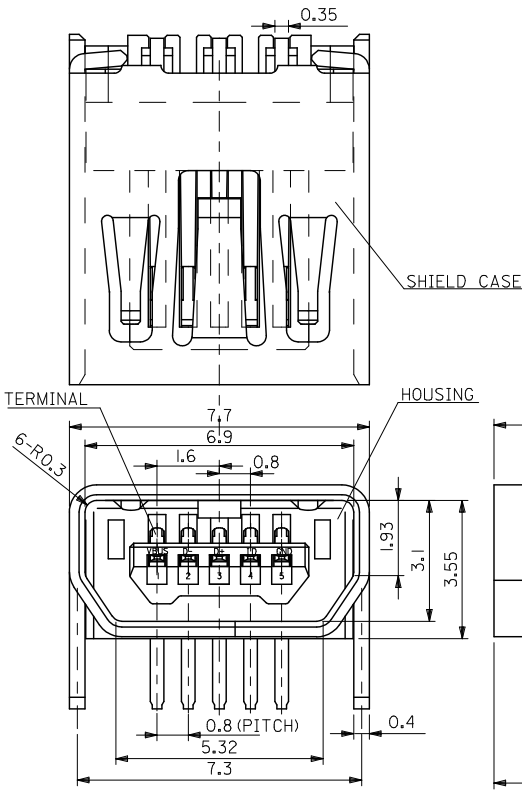
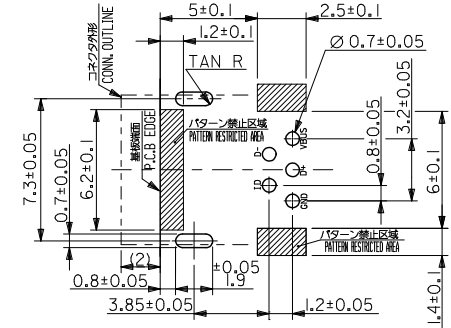


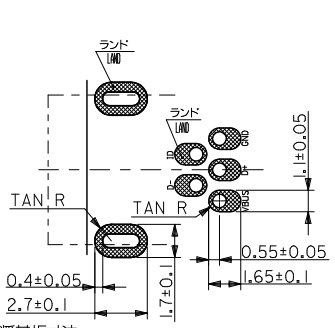
10 9 8 7 6 5 4 3 2 1



コネクタ実装側 (CONNECTOR MOUNT SIDE)

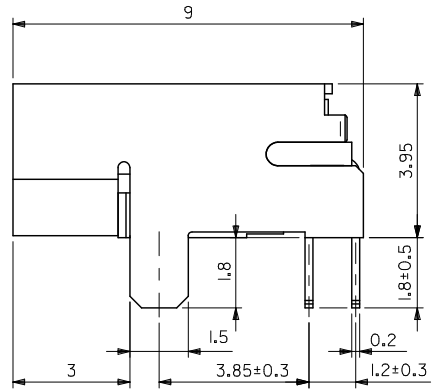


逆側 (REVERSE SIDE)



推奨基板寸法
RECOMMENDED P.C.B. PATTERN LAYOUT

- 注記 1. 材質
NOTES MATERIAL
ハウジング: PA, ガラス充填, 灰色, UL94V-0
HOUSING: PA, GLASS FILLED, GRAY, UL94V-0
ターミナル: 銅合金 (t=0.2)
TERMINAL: COPPER ALLOY (t=0.2)
シールド ケース: 銅合金 (t=0.4)
SHIELD CASE: COPPER ALLOY (t=0.4)
2. メッキ仕様
PLATING
ターミナル
TERMINAL
接点部: 金メッキ 0.76MICRO METER MIN.
CONTACT AREA: GOLD 0.76MICRO METER MIN.
半田付け部: 鉛メッキ 1.0MICRO METER MIN.
SOLDER TAIL AREA: TIN 1.0MICRO METER MIN.
下地部: ニッケルメッキ 4.0MICRO METER MIN.
UNDER PLATING: NICKEL 4.0MICRO METER MIN.
シールド ケース
SHIELD CASE
: 鉛メッキ 1.0MICRO METER MIN.
: TIN 1.0MICRO METER MIN.
下地部: ニッケルメッキ 1.0MICRO METER MIN.
UNDER PLATING: NICKEL 1.0MICRO METER MIN.
3. 本製品は56579-0511の鉛フリー品である。
THIS PRODUCT IS LEAD FREE OF 56579-0511

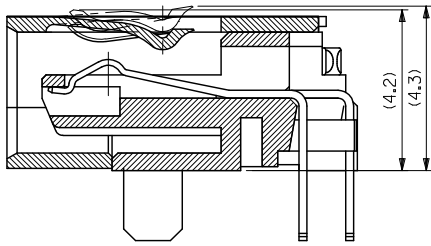


56579-0519
TRAY PKG.
ORDER NO.

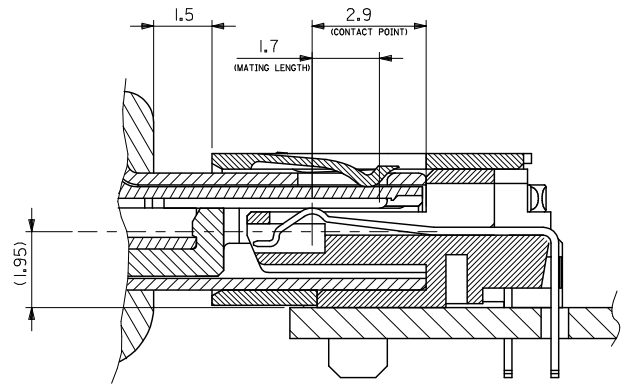
MODEL No.56579-***19

REVISED EC NO: J2009-4533 DRAWN BY: DRW NESATO CHKD: HATSUMOTO APPR: NIKITA REV: A	GENERAL TOLERANCES (UNLESS SPECIFIED)		DIMENSION STYLE MM ONLY	SCALE ---	DESIGN UNITS METRIC	THIRD ANGLE PROJECTION
	10 UNDER	±0.2	DRAWN BY M. NAGATA	DATE 2004/03/10	TITLE USB SERIES MINI-AB REC.ASS'Y DIP -LEAD FREE-	
	10 OVER 30 UNDER	±0.25	CHECKED BY K. TOJO	DATE 2004/03/10	MOLEX INCORPORATED	
	30 OVER	±0.3	APPROVED BY M. SASAO	DATE 2004/03/10	DOCUMENT NO. SD-56579-014	SHEET NO. 1 OF 2
	ANGULAR ±3 °	DRAFT WHERE APPLICABLE MUST REMAIN WITHIN DIMENSIONS	MATERIAL NO. SEE TABLE	SIZE 3 THIS DRAWING CONTAINS INFORMATION THAT IS PROPRIETARY TO MOLEX INCORPORATED AND SHOULD NOT BE USED WITHOUT WRITTEN PERMISSION		

10 9 8 7 6 5 4 3 2 1



SECTION



MATING

MODEL No.56579-**-19

REVISED EC NO: J2009-1533 DRAWN BY DRWESATO 2009/06/25 CHYKOHMATSUOTO 2009/06/25 APPR:NIKI TA 2009/06/25	GENERAL TOLERANCES (UNLESS SPECIFIED)		DIMENSION STYLE MM ONLY		SCALE ---	DESIGN UNITS METRIC	THIRD ANGLE PROJECTION	
	10 UNDER	± 0.2	DRAWN BY M. NAGATA	DATE 2004/03/10	TITLE USB SERIES MINI-AB REC. HS'G ASS'Y (DIP) -LEAD FREE-			
	10 OVER 30 UNDER	± 0.25	CHECKED BY K. TOJO	DATE 2004/03/10	MOLEX INCORPORATED			
	30 OVER	± 0.3	APPROVED BY M. SASAO	DATE 2004/03/10	MATERIAL NO. SEE SHEET 1	DOCUMENT NO. SD-56579-014	SHEET NO. 2 OF 2	
ANGULAR $\pm 3^\circ$		DRAFT WHERE APPLICABLE MUST REMAIN WITHIN DIMENSIONS		THIS DRAWING CONTAINS INFORMATION THAT IS PROPRIETARY TO MOLEX INCORPORATED AND SHOULD NOT BE USED WITHOUT WRITTEN PERMISSION				

tb_frame_A3_J_ME_S
Rev. E 2006/04/15

9 8 7 6 5 4 3 2 1 EN-02JA(021)