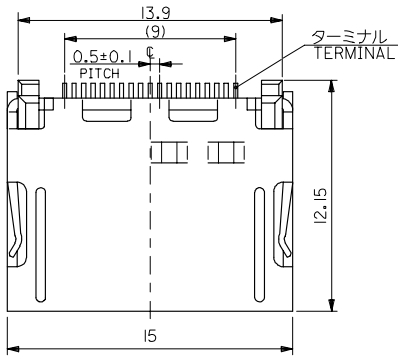
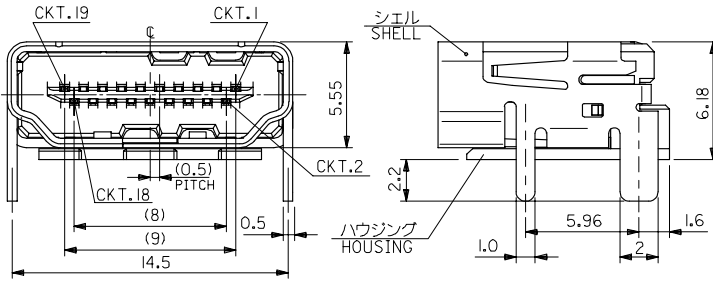


10 9 8 7 6 5 4 3 2 1



**注記**  
**NOTE**

1. 材質  
MATERIAL  
ハウジング: ガラス入り耐熱樹脂  
HOUSING: GLASS FILLED HEAT-RESISTED RESIN, UL94V-0  
ターミナル: 銅合金  
TERMINAL: COPPER ALLOY  
シェル: 銅合金  
SHELL: COPPER ALLOY
2. めっき仕様  
PLATING  
ターミナル: <接点部>金めっき 0.76マイクロメートル以上  
TERMINAL: <CONTACT AREA> GOLD(AU) 0.76 MICROMETER MINIMUM.  
<半田付り部>錫めっき 1.0マイクロメートル以上  
<SOLDER TAIL AREA> TIN(Sn) 1.0 MICROMETER MINIMUM.  
<下地>ニッケルめっき 2マイクロメートル以上  
<UNDER-PLATING> NICKEL(NI) 2 MICROMETER MINIMUM.  
シェル: 錫めっき 1.0マイクロメートル以上  
SHELL: TIN(Sn) 1.0 MICROMETER MINIMUM.  
下地ニッケルめっき 1.27マイクロメートル以上  
UNDER-PLATING NICKEL (NI) 1.27 MICROMETER MINIMUM.
3. テール部の平坦度: ±0.1 MAXIMUM.  
COPLANALITY OF TAIL: ±0.1 MAXIMUM.



500254-1927	19
EMBOSS PACKAGING	CIRCUITS
MATERIAL NO.	

REVISED IEC NO: J2006-0032 2005/07/05 DRAWN: H. NABEI CHK: K. TOYODA 2005/07/06 APPR: N. ICHIKAWA 2005/07/12	GENERAL TOLERANCES (UNLESS SPECIFIED)		DIMENSION STYLE MM ONLY		SCALE 5:1	DESIGN UNITS METRIC	THIRD ANGLE PROJECTION
	10 UNDER	±0.2	DRAWN BY K. TOYODA	DATE '04/03/26	TITLE HDMI RIGHT ANGLE HEADER ASSY -LEAD FREE- MOLEX INCORPORATED		
	10 OVER 30 UNDER	±0.25	CHECKED BY K. ASAKAWA	DATE '04/03/26			
	30 OVER	±0.3	APPROVED BY S. ICHIKAWA	DATE '04/03/26			
ANGULAR	±3 °	DRAFT WHERE APPLICABLE MUST REMAIN WITHIN DIMENSIONS		MATERIAL NO. SEE CHART	DOCUMENT NO. SD-500254-005	SHEET NO. 1 OF 3	
THIS DRAWING CONTAINS INFORMATION THAT IS PROPRIETARY TO MOLEX INCORPORATED AND SHOULD NOT BE USED WITHOUT WRITTEN PERMISSION				SIZE A3			

10 9 8 7 6 5 4 3 2 1

F F

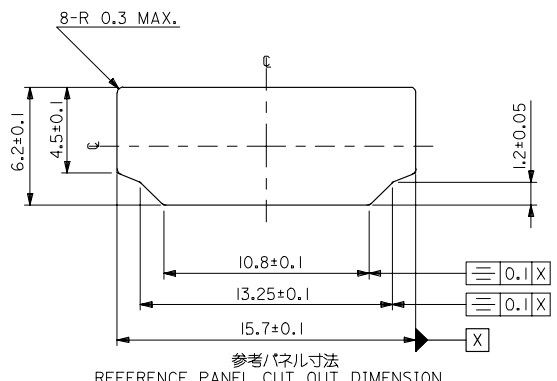
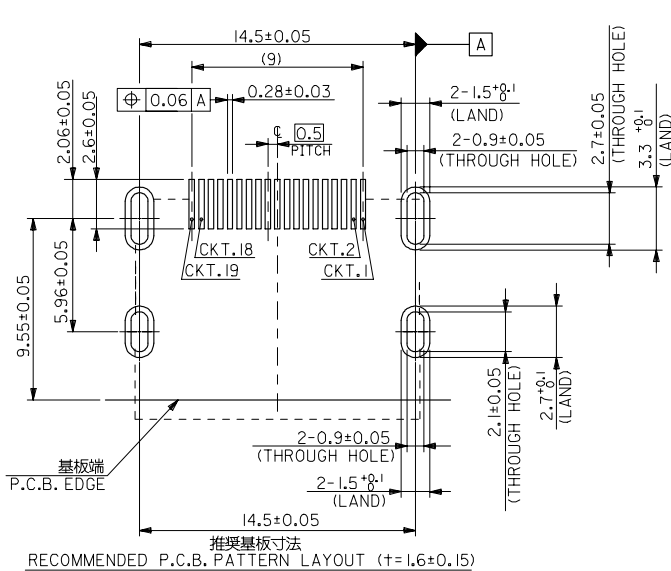
E E

D D

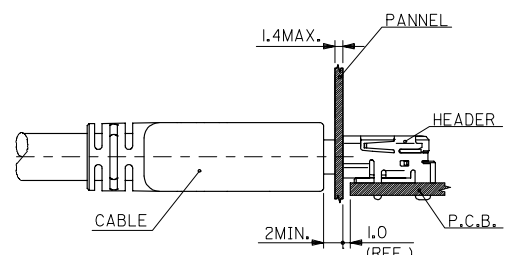
C C

B B

A A



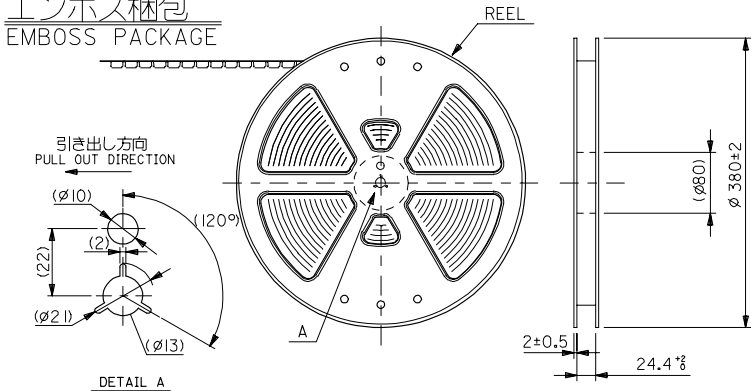
参考パネル寸法  
REFERENCE PANEL CUT OUT DIMENSION.



参考実装寸法  
REFERENCE MOUNT DIMENSION.  
(SCALE 2:1)

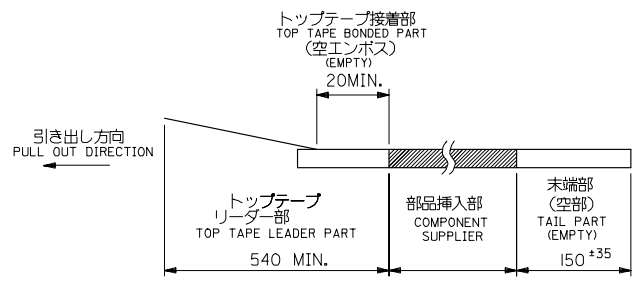
REVISED EC NO. J2006-0032 2005/07/05 DRAWN: HMBEI CHK: K.TOYODA 2005/07/06 APP: NUKITA 2005/07/12	GENERAL TOLERANCES (UNLESS SPECIFIED)		DIMENSION STYLE MM ONLY		SCALE 5:1	DESIGN UNITS METRIC	THIRD ANGLE PROJECTION
	10 UNDER	±0.2	DRAWN BY K. TOYODA	DATE '04/03/26	TITLE HDMI RIGHT ANGLE HEADER ASSY -LEAD FREE-  MOLEX INCORPORATED		
	10 OVER 30 UNDER	±0.25	CHECKED BY K. ASAKAWA	DATE '04/03/26			
	30 OVER	±0.3	APPROVED BY S. ICHIKAWA	DATE '04/03/26			
ANGULAR	±3 °	DRAFT WHERE APPLICABLE MUST REMAIN WITHIN DIMENSIONS		MATERIAL NO. SEE CHART	DOCUMENT NO. SD-500254-005	SHEET NO. 2 OF 3	
THIS DRAWING CONTAINS INFORMATION THAT IS PROPRIETARY TO MOLEX INCORPORATED AND SHOULD NOT BE USED WITHOUT WRITTEN PERMISSION				EN-02JA(021)			

エンボス梱包  
EMBOSS PACKAGE

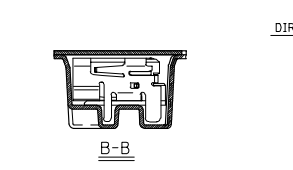
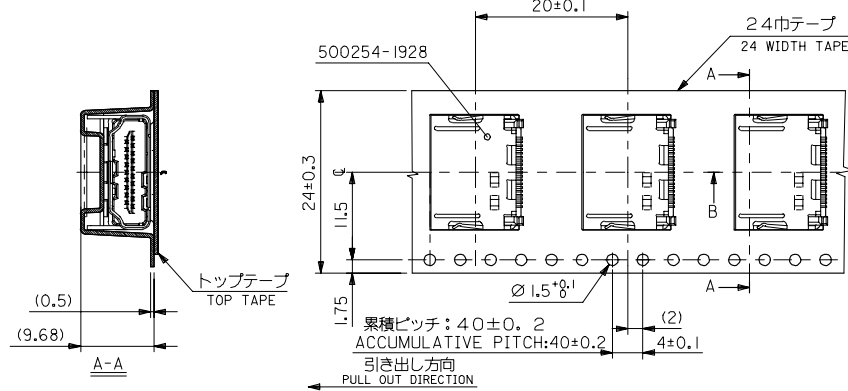


NOTE

- 梱包数量: 500 個/リール  
NUMBER OF CONNECTORS: 500 PCS/REEL
- リードテープ長さ  
LEAD TAPE LENGTH



- トップテープの剥離強度: 0.1 ~ 1.3N (10 ~ 130gf)  
(剥離方向は下図参照) キャリアテープ幅: 24mm  
PEEL-OFF FORCE OF TOP TAPE: 0.1 ~ 1.3N (10 ~ 130gf)  
(PEELING DIRECTION AS SHOWN IN FOLLOWING FIG.)  
CARRIER TAPE WIDTH: 24mm  
尚、本規格値は、出荷時に適用。  
THIS REQUIREMENTS SHOULD BE APPLIED AT SHIPMENT  
(但し、輸送時に剥離が発生しない事。)  
(PEEL OFF SHOULD NOT BE ALLOWED, DURING TRANSPORTATION)



- 材料  
MATERIAL  
キャリアテープ: ポリプロピレン  
CARRIER TAPE: POLYPROPYLENE  
トップテープ: ポリエステル, ポリエチレン  
TOP TAPE: POLYESTER, POLYETHYLENE  
リール: ポリスチレン  
REEL: POLYSTYRENE

エンボステープ内の製品の向き  
DIRECTION OF CONNECTOR IN EMBOSS TAPE

REVISED EC NO: J2006-0032 DRAWN: MABEI 2005/07/05 CHKD: K. TOYODA 2005/07/06 APPR: N. ICHIKAWA 2005/07/12	GENERAL TOLERANCES (UNLESS SPECIFIED)		DIMENSION STYLE MM ONLY		SCALE 2:1	DESIGN UNITS METRIC	500254-1927	I9
	10 UNDER	±0.2	DRAWN BY K. TOYODA	DATE '04/03/26	TITLE HDMI RIGHT ANGLE HEADER ASSY -LEAD FREE- MOLEX INCORPORATED			
	10 OVER 30 UNDER	±0.25	CHECKED BY K. ASAKAWA	DATE '04/03/26				
	30 OVER	±0.3	APPROVED BY S. ICHIKAWA	DATE '04/03/26				
ANGULAR	±3 °	DRAFT WHERE APPLICABLE MUST REMAIN WITHIN DIMENSIONS		MATERIAL NO. SEE CHART	DOCUMENT NO. SD-500254-005	SHEET NO. 3 OF 3		