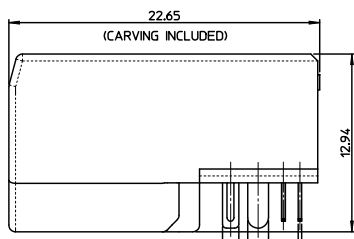
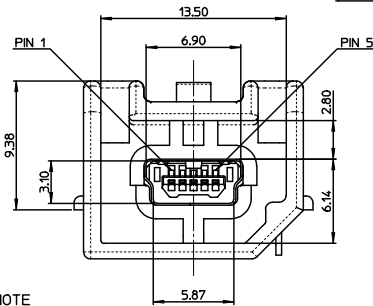
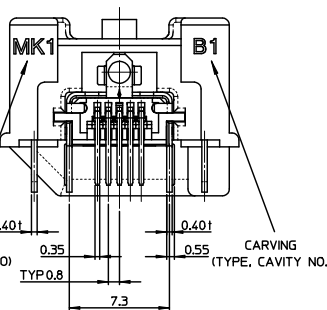


<PART LIST>

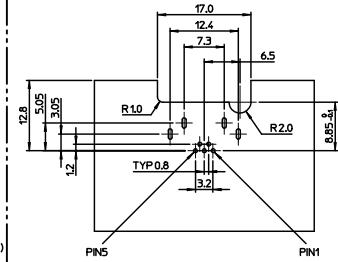
NO.	PART NAME	MATERIALS
①	SHROUD	LCP, glass-filled, UL94 V-0
②	REC. HOUSING	LCP, glass-filled, UL94 V-0
③	TERMINAL	COPPER ALLOY
④	SHIELD CASE	PHOSPHOR BRONZE
⑤	FITTING NAIL	BRASS



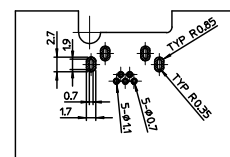
SECTION Z-Z



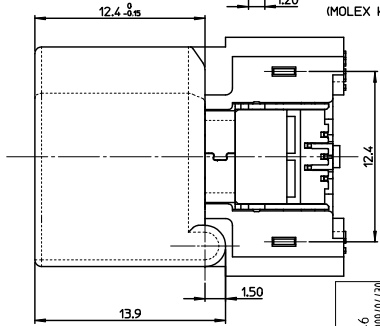
RECOMMENDED PCB LAYOUT - TYPE 'B' (TOP VIEW, COMPONENT SIDE)



(BOTTOM VIEW, SOLDER SIDE)



- NOTE
- MATES WITH : (MOLEX SERIES NO. - 111014, 111015, 111005, 111041, 111019, 111020)
  - SHROUD GEOMETRY AND ASSEMBLY WITH USB MINI-B CONNECTOR ARE ACCORDING TO USCAR STD 999-U-USB-Z01
  - FINISHES
    - TERMINAL : CONTACT AREA : GOLD 0.75µm MIN. SOLDER TAIL AREA : TIN 3.8µm MIN. UNDER PLATING : NI 1.25µm MIN.
    - SHIELD CASE : 3.0µm MIN. TIN OVER NI 1.0µm MIN.
    - FITTING NAIL : 3.0µm MIN. TIN OVER NI 1.0µm MIN.
  - UNLESS OTHERWISE SPECIFIED, TYPICAL RECOMMENDED PCB MANUFACTURING TOLERANCE IS ±0.05
  - PACKAGING IS TRAY : (48 PCS/TRAY, 5 TRAY/TRAY BOX, 240 PCS/TRAY BOX, 960 PCS/CARTON BOX)
  - PRODUCT SPECIFICATION : PS-49616-001
  - PACKAGING INFORMATION : PK-49616-001
  - PCB THICKNESS : 1.6mm(REFERENCE)



<TABLE 1>

MATERIAL NO.	ORDER NO.	COLOR
496160715	49616-0715	GRAY

REVISED	EC NO. KOR2009-0146	2009/04/20
DRW/HTISSONG	2009/04/20	
CHK/KBCYOON		
APPR: YUNSIKIM	2009/05/06	
DESCRIPTION		
REV		

QUALITY SYMBOLS	GENERAL TOLERANCES (UNLESS SPECIFIED)
▽=0	mm INCH
▽=0	4 PLACES ± --- ± ---
	3 PLACES ± --- ± ---
	2 PLACES ± 0.15 ± ---
	1 PLACE ± 0.25 ± ---
	ANGULAR ± 3 °

DIMENSION STYLE	SCALE	DESIGN UNITS	THIRD ANGLE PROJECTION
MM ONLY	5:1	METRIC	☑

DRAWN BY HTSONG	DATE 2008/04/25	TITLE HSAUTOLINK R/A HEADER TYPE-B
CHECKED BY BLYOON	DATE 2008/04/25	
APPROVED BY EHJUNG	DATE 2008/04/25	
MATERIAL NO.	DOCUMENT NO. SD-49616-002	SHEET NO. 1 OF 1
DRAFT WHERE APPLICABLE MUST REMAIN WITHIN DIMENSIONS SEE TABLE 1 THIS DRAWING CONTAINS INFORMATION THAT IS PROPRIETARY TO MOLEX INCORPORATED AND SHOULD NOT BE USED WITHOUT WRITTEN PERMISSION		