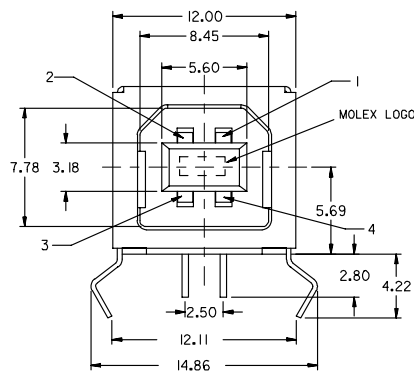
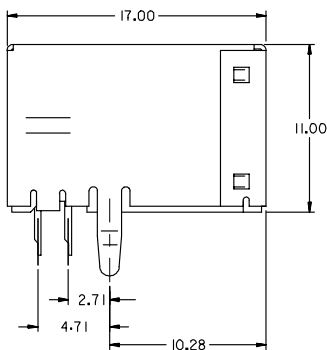
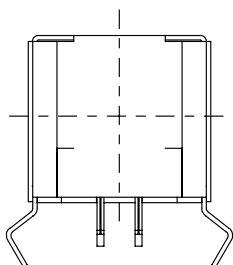
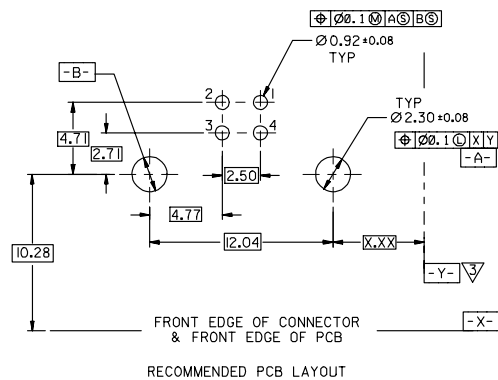
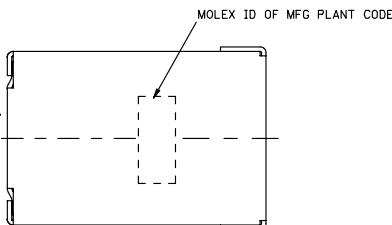


10 9 8 7 6 5 4 3 2 1

NOTES :
 1. MATERIAL :
 HOUSING : (a) HIGH TEMP. NYLON ,GLASS FIBER FILLED,UL94V-0, COLOR: BLACK,
 (b) POLYESTER , GLASS FIBER FILLED,UL94V-0, COLOR: WHITE,
 TERMINAL : PHOSPHOR BRONZE
 METAL SHELL : COPPER ALLOY

2. PLATING :
 TERMINAL :
 CONTACT AREA : (a) GOLD FLASH,
 (b) GLOD (Au), THICKNESS = 30 MICROINCH MINIMUM,
 /0.76 MICROMETER MINIMUM.
 SOLDER TAIL :
 PURE TIN(Sn) THICKNESS= 75 MICROINCH MINIMUM .
 /1.9 MICROMETER MINIMUM.
 UNDER PLATE : NICKEL (Ni), THICKNESS= 50 MICROINCH MINIMUM.
 /1.27 MICROMETER MINIMUM.
 METAL SHELL :
 PURE TIN(Sn) , THICKNESS= 50 MICROINCH MINIMUM.
 /1.27 MICROMETER MINIMUM.
 UNDER PLATE : NICKEL (Ni) , THICKNESS= 50 MICROINCH MINIMUM.
 /1.27 MICROMETER MINIMUM.

▽ DATUM AND BASIC DIMENSIONS ESTABLISHED BY CUSTOMER
 RECOMMENDED PCB THICKNESS : 1.60±0.05
 4 PRODUCT SPECIFICATION : REFER TO PS-67998-0000



PART NUMBER LEGEND:

67068- * * 0 *
 8 : BLACK HOUSING
 9 : WHITE HOUSING
 0 : TRAY PACKAGING
 1 : TUBE PACKAGING
 0 : GOLD FLASH
 1 : 0.76 MICROMETER/30 MICROINCH GOLD
 KINK TYPE BOARD LOCK

NEW RELEASE EC NO. SH2005-0142 DRAWN: DAVID HU 2004/11/05 CHKD: HARVEY 2004/11/05 APPR: YITAP 2004/11/25	QUALITY SYMBOLS ▽=0 ▽=0	GENERAL TOLERANCES (UNLESS SPECIFIED)		DIMENSION STYLE MM ONLY		SCALE 4:1	DESIGN UNITS METRIC	THIRD ANGLE PROJECTION
		4 PLACES ± --- ± ---	3 PLACES ± --- ± ---	2 PLACES ± 0.25 ± ---	1 PLACE ± 0.25 ± ---	ANGULAR ± 3 °	DRAWN BY DAVID HU	DATE 2004/11/05
A	REV	DRAFT WHERE APPLICABLE MUST REMAIN WITHIN DIMENSIONS		SEE NOTES		MATERIAL NO. DOCUMENT NO. SD-67068-003		SHEET NO. 1 OF 4
		THIS DRAWING CONTAINS INFORMATION THAT IS PROPRIETARY TO MOLEX INCORPORATED AND SHOULD NOT BE USED WITHOUT WRITTEN PERMISSION						

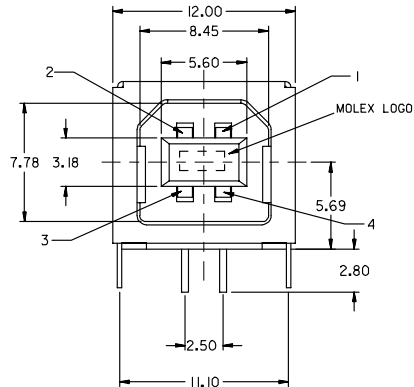
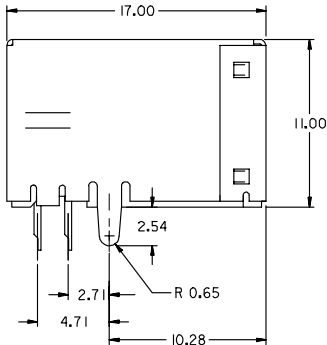
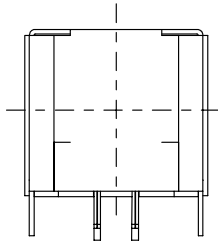
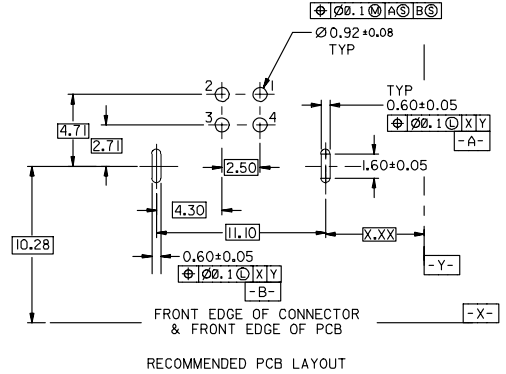
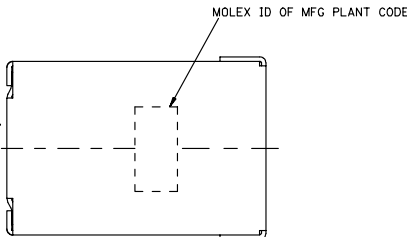
9 8 7 6 5 4 3 2 1

10 9 8 7 6 5 4 3 2 1

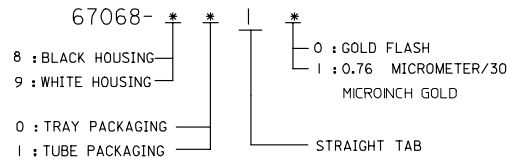
NOTES :
 1. MATERIAL :
 HOUSING : (a) HIGH TEMP. NYLON, CLASS FIBER FILLED, UL94V-0, COLOR: BLACK,
 (b) POLYESTER, CLASS FIBER FILLED, UL94V-0, COLOR: WHITE,
 TERMINAL : PHOSPHOR BRONZE
 METAL SHELL : COPPER ALLOY

2. PLATING :
 TERMINAL :
 CONTACT AREA : (a) GOLD FLASH,
 (b) GLOD (Au), THICKNESS = 30 MICROINCH MINIMUM,
 /0.76 MICROMETER MINIMUM.
 SOLDER TAIL :
 PURE TIN(Sn) THICKNESS= 75 MICROINCH MINIMUM .
 /1.9 MICROMETER MINIMUM.
 UNDER PLATE : NICKEL (Ni), THICKNESS= 50 MICROINCH MINIMUM.
 /1.27 MICROMETER MINIMUM.
 METAL SHELL :
 PURE TIN(Sn) THICKNESS= 50 MICROINCH MINIMUM.
 /1.27 MICROMETER MINIMUM.
 UNDER PLATE : NICKEL (Ni), THICKNESS= 50 MICROINCH MINIMUM.
 /1.27 MICROMETER MINIMUM.

3 DATUM AND BASIC DIMENSIONS ESTABLISHED BY CUSTOMER
 RECOMMENDED PCB THICKNESS : 1.60±0.05
 4 PRODUCT SPECIFICATION : REFER TO PS-67998-0000



PART NUMBER LEGEND:



NEW RELEASE EC NO. SH2005-0142 DRAWN: DAVID HU 2004/11/05 CHKD: HARRY 2004/11/05 APPR: YITAP 2004/11/25	QUALITY SYMBOLS ▽=0 ▽=0	GENERAL TOLERANCES (UNLESS SPECIFIED)		DIMENSION STYLE MM ONLY		SCALE 4:1	DESIGN UNITS METRIC	THIRD ANGLE PROJECTION
				mm	INCH	DRAWN BY DAVID HU	DATE 2004/11/05	TITLE USB B TYPE CONNECTOR WITH STRAIGHT TAB (LEAD-FREE)
		4 PLACES	± ---	± ---		CHECKED BY DAVID HU	DATE 2004/11/05	
		3 PLACES	± ---	± ---		APPROVED BY DAVID HU	DATE 2004/11/05	
		2 PLACES	± 0.25	± ---		MATERIAL NO. SEE NOTES		
		1 PLACE	± 0.25	± ---		DOCUMENT NO. SD-67068-003		
		ANGULAR ± 3 °				SHEET NO. 2		
DRAFT WHERE APPLICABLE MUST REMAIN WITHIN DIMENSIONS		SIZE A3		THIS DRAWING CONTAINS INFORMATION THAT IS PROPRIETARY TO MOLEX INCORPORATED AND SHOULD NOT BE USED WITHOUT WRITTEN PERMISSION				

9 8 7 6 5 4 3 2 1

8 7 6 5 4 3 2 1

NOTES :
 1. MATERIAL :
 HOUSING : (a) HIGH TEMP. NYLON, GLASS FIBER FILLED, UL94V-0, COLOR: BLACK,

TERMINAL : PHOSPHOR BRONZE
 METAL SHELL : COPPER ALLOY

2. PLATING :
 TERMINAL :
 CONTACT AREA : (a) GOLD FLASH,
 (b) GLOD (Au), THICKNESS = 30 MICROINCH MINIMUM,
 /0.76 MICROMETER MINIMUM.

SOLDER TAIL :
 PURE TIN(Sn) THICKNESS= 75 MICROINCH MINIMUM ,
 /1.9 MICROMETER MINIMUM.

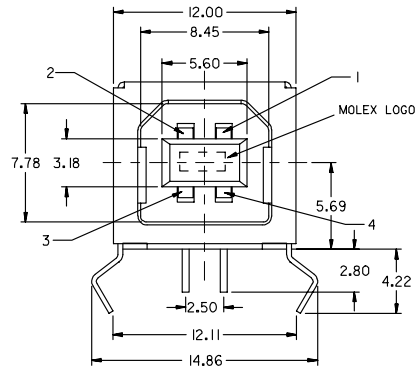
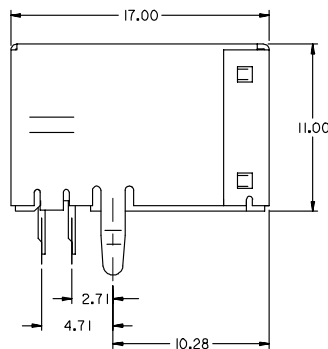
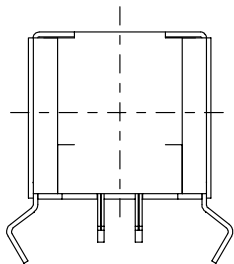
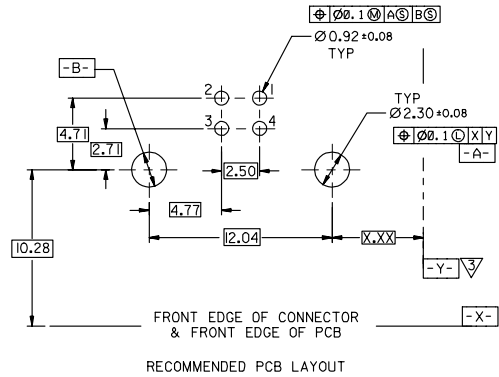
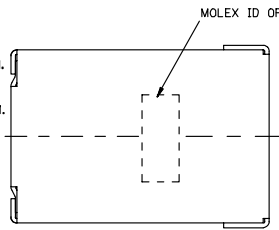
UNDER PLATE : NICKEL (Ni), THICKNESS= 50 MICROINCH MINIMUM,
 /1.27 MICROMETER MINIMUM.

METAL SHELL :
 PURE TIN(Sn), THICKNESS= 50 MICROINCH MINIMUM,
 /1.27 MICROMETER MINIMUM.

UNDER PLATE : NICKEL (Ni), THICKNESS= 50 MICROINCH MINIMUM,
 /1.27 MICROMETER MINIMUM.

▽ DATUM AND BASIC DIMENSIONS ESTABLISHED BY CUSTOMER
 RECOMMENDED PCB THICKNESS : 1.60±0.05

4 PRODUCT SPECIFICATION : REFER TO PS-67998-0000



PART NUMBER LEGEND:

67068- 7041

				MATERIAL : SEE NOTES		MOLEX TAIWAN LTD.	
				FINISH : SEE NOTES		SHEET 3 OF 4	
				WIRE RANGE :		GENERAL TOLERANCES	
				INS. RANGE :		ANGLE : ± 3° DIM : ± .25/.010	
A NEW RELEASE FOR LEAD-FREE				DAVID HU 2004/11/5		ENG. NO.: SD-67068-003	
LTR REVISION RECORD ECN DR DATE				DRAWN BY 2004/11/5 DAVID HU		REV A	
REVISE ONLY ON CAD SYSTEM				APPR'D BY		SCALE 4 : 1	
						TITLE : HIGH TEMP USB B TYPE CONNECTOR KINK TYPE BOARD LOCK (LEAD-FREE)	

THIS DRAWING CONTAINS INFORMATION THAT IS PROPRIETARY TO MOLEX (FEM) AND SHOULD NOT BE USED WITHOUT WRITTEN PERMISSION

MXT, Sg - 13

ENG. NO.

EDP NO.

SIMILAR ITEM

CAD FILE :

DO NOT SCALE DRAWING

F

E

D

C

B

A

ENG. NO SDA-67068-0000

EDP NO.

SIMILAR ITEM

CAD FILE : _S6706802_

DO NOT SCALE DRAWING

8 7 6 5 4 3 2 1

NOTES :

1. MATERIAL :

HOUSING : (a) HIGH TEMP. NYLON, GLASS FIBER FILLED, UL94V-0, COLOR: BLACK,

TERMINAL : PHOSPHOR BRONZE
METAL SHELL : COPPER ALLOY

2. PLATING :

TERMINAL :
CONTACT AREA : (a) GOLD FLASH,
(b) GLOD (Au), THICKNESS = 30 MICROINCH MINIMUM,
/0.76 MICROMETER MINIMUM.

SOLDER TAIL :
PURE TIN(Sn) THICKNESS= 75 MICROINCH MINIMUM,
/1.9 MICROMETER MINIMUM.

UNDER PLATE : NICKEL (Ni), THICKNESS= 50 MICROINCH MINIMUM,
/1.27 MICROMETER MINIMUM.

METAL SHELL :
PURE TIN(Sn) THICKNESS= 50 MICROINCH MINIMUM,
/1.27 MICROMETER MINIMUM.

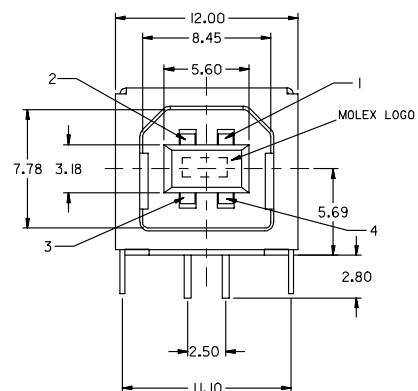
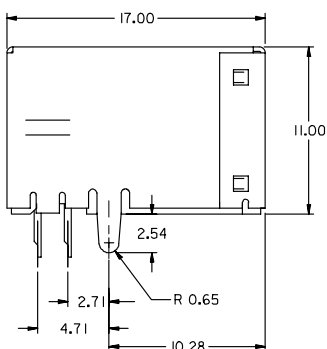
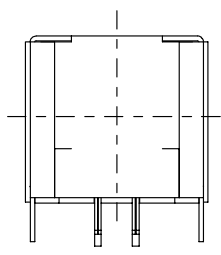
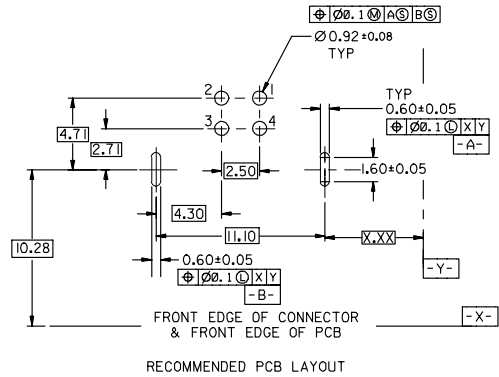
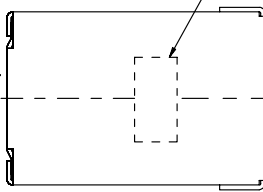
UNDER PLATE : NICKEL (Ni), THICKNESS= 50 MICROINCH MINIMUM,
/1.27 MICROMETER MINIMUM.

3 DATUM AND BASIC DIMENSIONS ESTABLISHED BY CUSTOMER

RECOMMENDED PCB THICKNESS : 1.60±0.05

4 PRODUCT SPECIFICATION : REFER TO PS-67998-0000

MOLEX ID OF MFG PLANT CODE



PART NUMBER LEGEND:

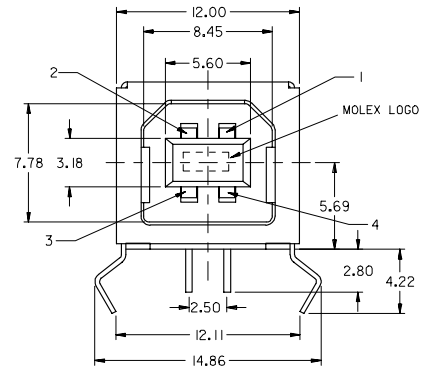
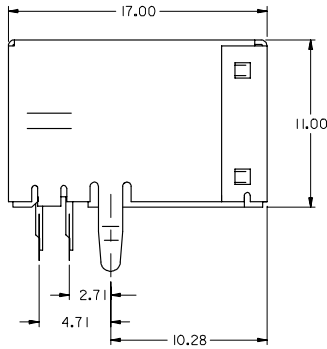
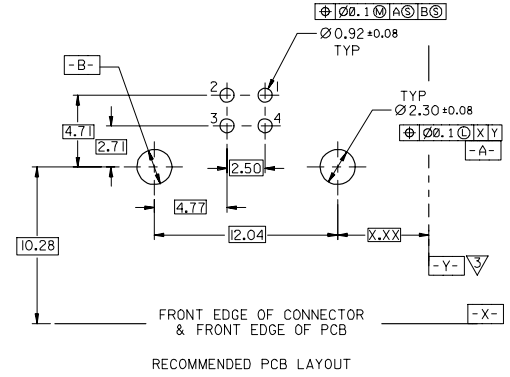
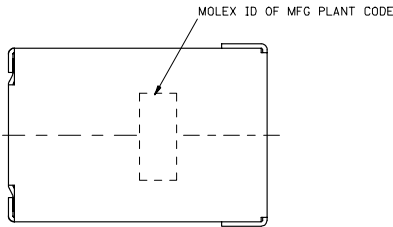
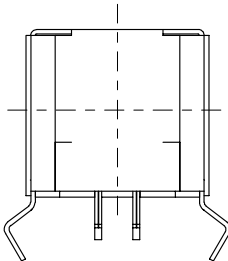
67068- 7051

				MATERIAL : SEE NOTES		MOLEX TAIWAN LTD.	
				FINISH : SEE NOTES		SHEET 4 OF 4	
				WIRE RANGE :		GENERAL TOLERANCES	
				INS. RANGE :		ANGLE : ± 3° DIM : ± .25/.010	
A NEW RELEASE FOR LEAD-FREE DAVID HJ 2006/11/5				DRAWN BY 2004/11/5 DAVID HJ		ENG. NO.: SD-67068-003 REV A	
LTR	REVISION RECORD	ECN	DR	DATE	CHK'D BY	TITLE : HIGH TEMP/5B B TYPE CONNECTOR WITH STRAIGHT TAB (LEAD-FREE)	
REVISE ONLY ON CAD SYSTEM					APPR'D BY	SCALE	4 : 1

THIS DRAWING CONTAINS INFORMATION THAT IS PROPRIETARY TO MOLEX (FEMLE) AND SHOULD NOT BE USED WITHOUT WRITTEN PERMISSION

MXT, Sg - 13

- NOTES:
- 1.MATERIAL:
HOUSING:
(a)HIGH TEMP NYLON, GLASS FIBRE FILLED, UL94V-0, COLOR: 8#BLACK
(b)POLYESTER(PBT), 30% GLASS FIBER FILLED, UL94V-0, COLOR: 9#WHITE
TERMINAL: PHOSPHOR BRONZE
METAL SHELL: COPPER ALLOY
- 2.PLATING:
TERMINAL:
(c)GOLD FLASH ON CONTACT AREA, 75 MICRONCH MINIMUM PURE TIN(Sn)
ON SOLDER TAIL, UNDER 50 MICRONCH MINIMUM NICKEL(Ni) PLATE.
(d)30 MICRONCH MINIMUM GOLD(Au) ON CONTACT AREA, 75 MICRONCH
MINIMUM PURE TIN(Sn) ON SOLDER TAIL, UNDER 50 MICRONCH
MINIMUM NICKEL(Ni) PLATE.
(e)GOLD FLASH ON CONTACT AREA, 75 MICRONCH MINIMUM MATTE TIN(Sn)
ON SOLDER TAIL, UNDER 50 MICRONCH MINIMUM NICKEL(Ni) PLATE.
(f)30 MICRONCH MINIMUM GOLD(Au) ON CONTACT AREA, 75 MICRONCH
MINIMUM MATTE TIN(Sn) ON SOLDER TAIL, UNDER 50 MICRONCH
MINIMUM NICKEL(Ni) PLATE.
- METAL SHELL:
(g)50 MICRONCH MINIMUM PURE TIN(Sn), UNDER 50 MICRONCH MINIMUM
NICKEL(Ni) PLATE.
(h)50 MICRONCH MINIMUM MATTE TIN(Sn), UNDER 50 MICRONCH MINIMUM
NICKEL(Ni) PLATE.
3. DATUM AND BASIC DIMENSIONS ESTABLISHED BY CUSTOMER.
RECOMMENDED PCB THICKNESS : 1.60±0.05
4. PRODUCT SPECIFICATION : REFER TO PS-67998-0000



P/N	HOUSING COLOR	PLATING
67068-8000	BLACK	GOLD FLASH SEE NOTES[2-(c)-(g)]
67068-8001	BLACK	30MICRONCH Au SEE NOTES[2-(d)-(g)]
67068-9000	WHITE	GOLD FLASH SEE NOTES[2-(c)-(g)]
67068-9001	WHITE	30MICRONCH Au SEE NOTES[2-(d)-(g)]
67068-8012	BLACK	30MICRONCH Au SEE NOTES[2-(f)-(h)]
67068-8013	BLACK	GOLD FLASH SEE NOTES[2-(e)-(h)]

REVISED	EC NO.	SH2007-0468	2007/01/19	DRW:HYH01	2007/01/19	CHK:YIANG	2007/01/26	APPR: JIN-CHEN	DESCRIPTION	QUALITY SYMBOLS	GENERAL TOLERANCES (UNLESS SPECIFIED)		DIMENSION STYLE		SCALE	DESIGN UNITS	THIRD ANGLE PROJECTION
											mm	INCH	MM ONLY	DATE			
										▽=0	4 PLACES ± --- ± ---	DRAWN BY	DATE	TITLE	4:1	METRIC	◎ □
										▽=0	3 PLACES ± --- ± ---	DAVID HU	2004/11/05				
											2 PLACES ± 0.25 ± .010	CHECKED BY	DATE	MOLEX INCORPORATED	SD-67068-004	SHEET NO.	
											1 PLACE ± 0.25 ± .010	HARVEY	2004/11/05				1 OF 1
											ANGULAR ± 3 °	APPROVED BY	DATE	THIS DRAWING CONTAINS INFORMATION THAT IS PROPRIETARY TO MOLEX INCORPORATED AND SHOULD NOT BE USED WITHOUT WRITTEN PERMISSION			
											DRAFT WHERE APPLICABLE MUST REMAIN WITHIN DIMENSIONS	MATERIAL NO.		SEE NOTES			
												SIZE					
												A3					