

10 9 8 7 6 5 4 3 2 1

NOTES :

1. MATERIAL :

HOUSING : (a) HIGH TEMP. NYLON ,GLASS FIBER FILLED,UL94V-0, COLOR: BLACK,
(b) POLYESTER , GLASS FIBER FILLED,UL94V-0, COLOR: WHITE,

TERMINAL : PHOSPHOR BRONZE
METAL SHELL : COPPER ALLOY

2. PLATING :

TERMINAL :

CONTACT AREA : (a) GOLD FLASH,

(b) GLOD (Au), THICKNESS = 30 MICROINCH MINIMUM,
/0.76 MICROMETER MINIMUM.

SOLDER TAIL :

PURE TIN(Sn) THICKNESS= 75 MICROINCH MINIMUM .
/1.9 MICROMETER MINIMUM.

UNDER PLATE : NICKEL (Ni), THICKNESS= 50 MICROINCH MINIMUM.

/1.27 MICROMETER MINIMUM.

METAL SHELL :

PURE TIN(Sn) , THICKNESS= 50 MICROINCH MINIMUM.
/1.27 MICROMETER MINIMUM.

UNDER PLATE : NICKEL (Ni), THICKNESS= 50 MICROINCH MINIMUM.

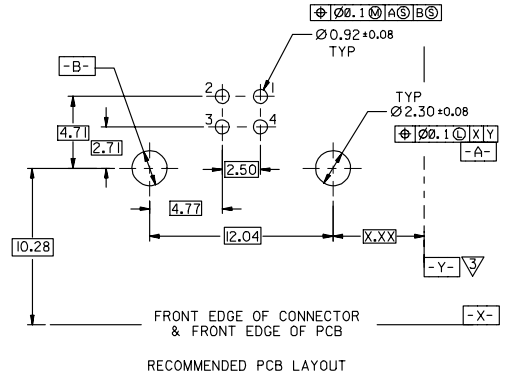
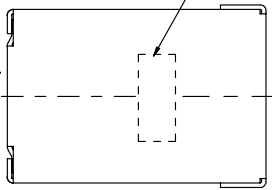
/1.27 MICROMETER MINIMUM.

▽ DATUM AND BASIC DIMENSIONS ESTABLISHED BY CUSTOMER

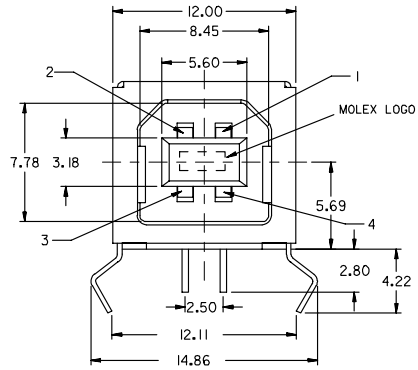
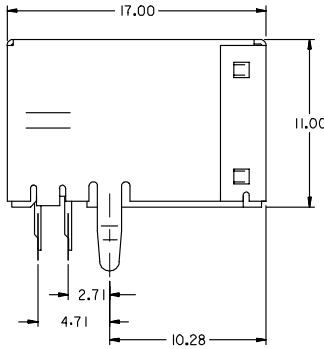
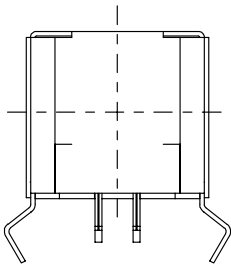
RECOMMENDED PCB THICKNESS : 1.60±0.05

4 PRODUCT SPECIFICATION : REFER TO PS-67998-0000

MOLEX ID OF MFG PLANT CODE



FRONT EDGE OF CONNECTOR
& FRONT EDGE OF PCB
RECOMMENDED PCB LAYOUT



PART NUMBER LEGEND:

67068- * * 0 *

8 : BLACK HOUSING
9 : WHITE HOUSING

0 : TRAY PACKAGING
1 : TUBE PACKAGING

0 : GOLD FLASH
1 : 0.76 MICROMETER/30
MICROINCH GOLD
KINK TYPE BOARD LOCK

NEW RELEASE EC NO. SH2005-0142 DRAWN: DAVID HU 2004/11/5 CHKD: HARVEY 2004/11/25 APPR: YITAP 2004/11/25	QUALITY SYMBOLS ▽=0 ▽=0	GENERAL TOLERANCES (UNLESS SPECIFIED)		DIMENSION STYLE MM ONLY		SCALE 4:1	DESIGN UNITS METRIC	THIRD ANGLE PROJECTION	
		4 PLACES ± --- ± ---	3 PLACES ± --- ± ---	2 PLACES ± 0.25 ± ---	1 PLACE ± 0.25 ± ---	ANGULAR ± 3 °	DRAWN BY DAVID HU	DATE 2004/11/05	TITLE USB B TYPE CONNECTOR KINK TYPE BOARD LOCK (LEAD-FREE)
A	REV	DRAFT WHERE APPLICABLE MUST REMAIN WITHIN DIMENSIONS		SEE NOTES		MATERIAL NO.	DOCUMENT NO. SD-67068-003	SHEET NO. 1 OF 4	
		THIS DRAWING CONTAINS INFORMATION THAT IS PROPRIETARY TO MOLEX INCORPORATED AND SHOULD NOT BE USED WITHOUT WRITTEN PERMISSION							

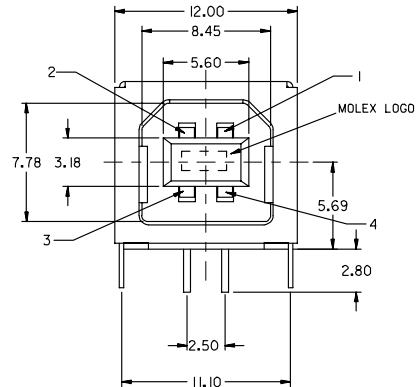
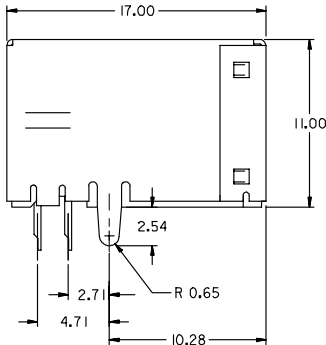
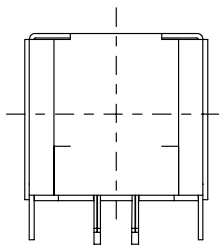
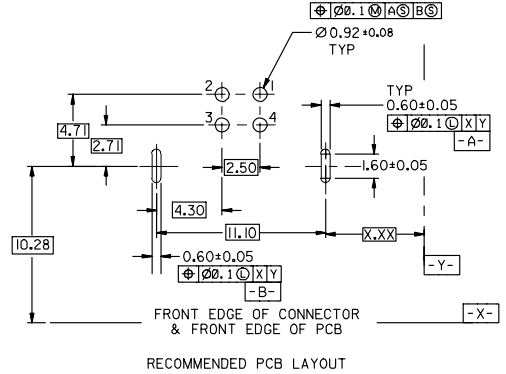
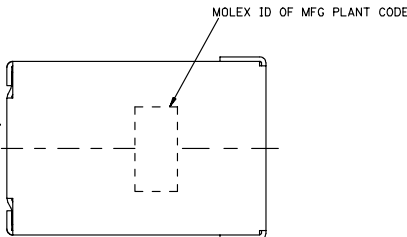
9 8 7 6 5 4 3 2 1

10 9 8 7 6 5 4 3 2 1

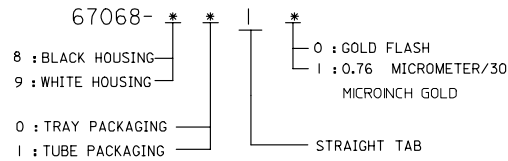
NOTES :
 1. MATERIAL :
 HOUSING : (a) HIGH TEMP. NYLON, CLASS FIBER FILLED, UL94V-0, COLOR: BLACK,
 (b) POLYESTER, CLASS FIBER FILLED, UL94V-0, COLOR: WHITE,
 TERMINAL : PHOSPHOR BRONZE
 METAL SHELL : COPPER ALLOY

2. PLATING :
 TERMINAL :
 CONTACT AREA : (a) GOLD FLASH,
 (b) GLOD (Au), THICKNESS = 30 MICROINCH MINIMUM,
 /0.76 MICROMETER MINIMUM.
 SOLDER TAIL :
 PURE TIN(Sn) THICKNESS= 75 MICROINCH MINIMUM .
 /1.9 MICROMETER MINIMUM.
 UNDER PLATE : NICKEL (Ni), THICKNESS= 50 MICROINCH MINIMUM.
 /1.27 MICROMETER MINIMUM.
 METAL SHELL :
 PURE TIN(Sn) THICKNESS= 50 MICROINCH MINIMUM.
 /1.27 MICROMETER MINIMUM.
 UNDER PLATE : NICKEL (Ni), THICKNESS= 50 MICROINCH MINIMUM.
 /1.27 MICROMETER MINIMUM.

3 DATUM AND BASIC DIMENSIONS ESTABLISHED BY CUSTOMER
 RECOMMENDED PCB THICKNESS : 1.60±0.05
 4 PRODUCT SPECIFICATION : REFER TO PS-67998-0000



PART NUMBER LEGEND:



NEW RELEASE IEC NO. SH2005-0142 DRWN: DAVID HU 2004/11/05 CHKD: HARRY 2004/11/05 APPR: YITAP 2004/11/25	QUALITY SYMBOLS	GENERAL TOLERANCES (UNLESS SPECIFIED)	DIMENSION STYLE MM ONLY	SCALE 4:1	DESIGN UNITS METRIC	THIRD ANGLE PROJECTION																																	
	$\nabla=0$ $\nabla=0$	<table border="1"> <tr> <th></th> <th>mm</th> <th>INCH</th> </tr> <tr> <td>4 PLACES</td> <td>± ---</td> <td>± ---</td> </tr> <tr> <td>3 PLACES</td> <td>± ---</td> <td>± ---</td> </tr> <tr> <td>2 PLACES</td> <td>± 0.25</td> <td>± --- 2004/11/05</td> </tr> <tr> <td>1 PLACE</td> <td>± 0.25</td> <td>± ---</td> </tr> </table>		mm	INCH	4 PLACES	± ---	± ---	3 PLACES	± ---	± ---	2 PLACES	± 0.25	± --- 2004/11/05	1 PLACE	± 0.25	± ---	<table border="1"> <tr> <th>DRAWN BY</th> <th>DATE</th> <th>TITLE</th> </tr> <tr> <td>DAVID HU</td> <td>2004/11/05</td> <td>USB B TYPE CONNECTOR WITH STRAIGHT TAB (LEAD-FREE)</td> </tr> <tr> <th>CHECKED BY</th> <th>DATE</th> <td></td> </tr> <tr> <td>HARRY</td> <td>2004/11/05</td> <td></td> </tr> <tr> <th>APPROVED BY</th> <th>DATE</th> <td></td> </tr> <tr> <td>YITAP</td> <td></td> <td></td> </tr> </table>	DRAWN BY	DATE	TITLE	DAVID HU	2004/11/05	USB B TYPE CONNECTOR WITH STRAIGHT TAB (LEAD-FREE)	CHECKED BY	DATE		HARRY	2004/11/05		APPROVED BY	DATE		YITAP					
		mm	INCH																																				
	4 PLACES	± ---	± ---																																				
3 PLACES	± ---	± ---																																					
2 PLACES	± 0.25	± --- 2004/11/05																																					
1 PLACE	± 0.25	± ---																																					
DRAWN BY	DATE	TITLE																																					
DAVID HU	2004/11/05	USB B TYPE CONNECTOR WITH STRAIGHT TAB (LEAD-FREE)																																					
CHECKED BY	DATE																																						
HARRY	2004/11/05																																						
APPROVED BY	DATE																																						
YITAP																																							
DESCRIPTION	ANGULAR ± 3 °	DRAFT WHERE APPLICABLE MUST REMAIN WITHIN DIMENSIONS	MATERIAL NO. SEE NOTES	DOCUMENT NO. SD-67068-003	MOLEX INCORPORATED SHEET NO. 2																																		
REV			SIZE A3	THIS DRAWING CONTAINS INFORMATION THAT IS PROPRIETARY TO MOLEX INCORPORATED AND SHOULD NOT BE USED WITHOUT WRITTEN PERMISSION																																			

9 8 7 6 5 4 3 2 1

8 7 6 5 4 3 2 1

NOTES :
 1. MATERIAL :
 HOUSING : (a) HIGH TEMP. NYLON, GLASS FIBER FILLED, UL94V-0, COLOR: BLACK,

TERMINAL : PHOSPHOR BRONZE
 METAL SHELL : COPPER ALLOY

2. PLATING :

TERMINAL :
 CONTACT AREA : (a) GOLD FLASH,
 (b) GLOD (Au), THICKNESS = 30 MICROINCH MINIMUM,
 /0.76 MICROMETER MINIMUM.

SOLDER TAIL :
 PURE TIN(Sn) THICKNESS= 75 MICROINCH MINIMUM ,
 /1.9 MICROMETER MINIMUM.

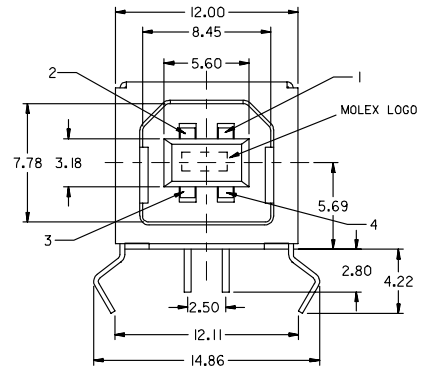
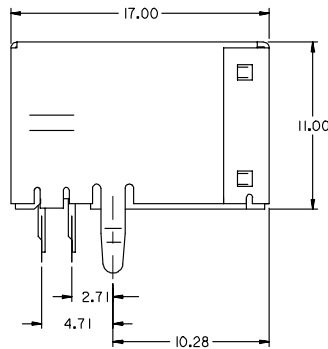
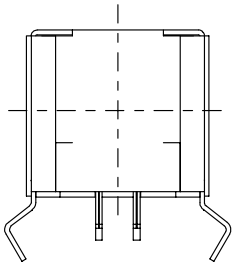
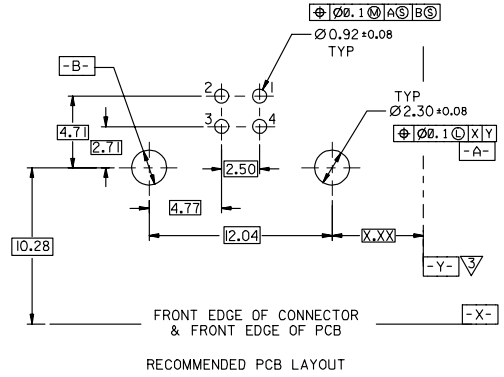
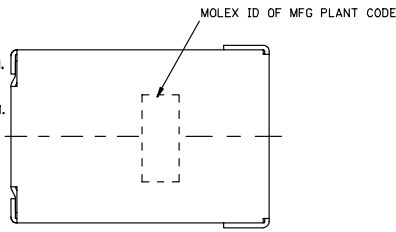
UNDER PLATE : NICKEL (Ni), THICKNESS= 50 MICROINCH MINIMUM,
 /1.27 MICROMETER MINIMUM.

METAL SHELL :
 PURE TIN(Sn), THICKNESS= 50 MICROINCH MINIMUM,
 /1.27 MICROMETER MINIMUM.

UNDER PLATE : NICKEL (Ni), THICKNESS= 50 MICROINCH MINIMUM,
 /1.27 MICROMETER MINIMUM.

DATUM AND BASIC DIMENSIONS ESTABLISHED BY CUSTOMER
 RECOMMENDED PCB THICKNESS : 1.60±0.05

4 PRODUCT SPECIFICATION : REFER TO PS-67998-0000



PART NUMBER LEGEND:

67068- 7041

		MATERIAL : SEE NOTES		MOLEX TAIWAN LTD. SHEET 3 OF 4	
		FINISH : SEE NOTES		GENERAL TOLERANCES ANGLE : ± 3° DIM : ± .25/.010	
		WIRE RANGE :		ENG. NO.: SD-67068-003 REV A	
		INS. RANGE :		TITLE : HIGH TEMP USB B TYPE CONNECTOR KINK TYPE BOARD LOCK (LEAD-FREE)	
A	NEW RELEASE FOR LEAD-FREE	DAVID HU	2004/11/5		
LTR	REVISION RECORD	ECN	DR	DATE	DRAWN BY 2004/11/5 DAVID HU
REVISE ONLY ON CAD SYSTEM			APPR'D BY	SCALE	4 : 1

THIS DRAWING CONTAINS INFORMATION THAT IS PROPRIETARY TO MOLEX (FEM) AND SHOULD NOT BE USED WITHOUT WRITTEN PERMISSION

MXT, Sg - 13

ENG. NO.

EDP NO.

SIMILAR ITEM

CAD FILE :

DO NOT SCALE DRAWING

F

E

D

C

B

A

ENG. NO SDA-67068-0000

EDP NO.

SIMILAR ITEM

CAD FILE : _S6706802_

DO NOT SCALE DRAWING

8 7 6 5 4 3 2 1

NOTES :

1. MATERIAL :

HOUSING : (a) HIGH TEMP. NYLON, GLASS FIBER FILLED, UL94V-0, COLOR: BLACK,

TERMINAL : PHOSPHOR BRONZE
METAL SHELL : COPPER ALLOY

2. PLATING :

TERMINAL :
CONTACT AREA : (a) GOLD FLASH,
(b) GLOD (Au), THICKNESS = 30 MICROINCH MINIMUM,
/0.76 MICROMETER MINIMUM.

SOLDER TAIL :
PURE TIN(Sn) THICKNESS= 75 MICROINCH MINIMUM,
/1.9 MICROMETER MINIMUM.

UNDER PLATE : NICKEL (Ni), THICKNESS= 50 MICROINCH MINIMUM,
/1.27 MICROMETER MINIMUM.

METAL SHELL :
PURE TIN(Sn) THICKNESS= 50 MICROINCH MINIMUM,
/1.27 MICROMETER MINIMUM.

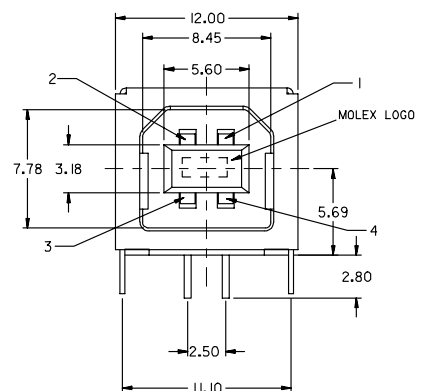
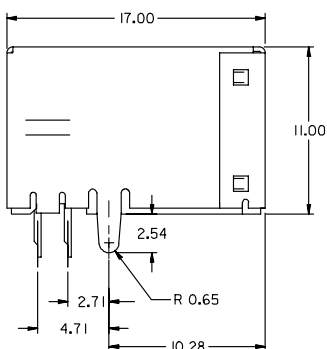
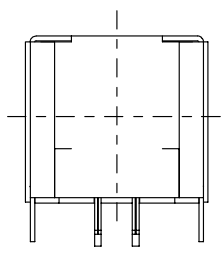
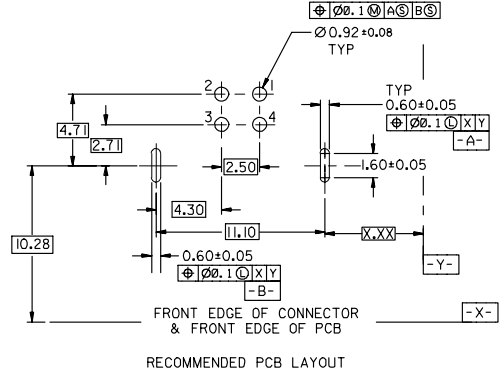
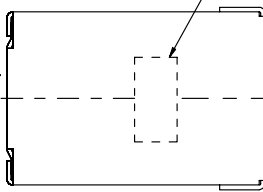
UNDER PLATE : NICKEL (Ni), THICKNESS= 50 MICROINCH MINIMUM,
/1.27 MICROMETER MINIMUM.

3 DATUM AND BASIC DIMENSIONS ESTABLISHED BY CUSTOMER

RECOMMENDED PCB THICKNESS : 1.60±0.05

4 PRODUCT SPECIFICATION : REFER TO PS-67998-0000

MOLEX ID OF MFG PLANT CODE



PART NUMBER LEGEND:

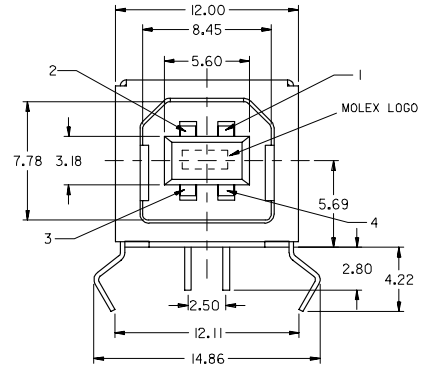
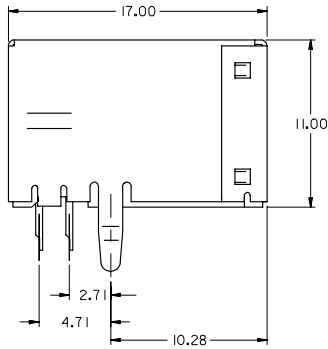
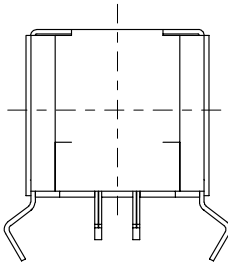
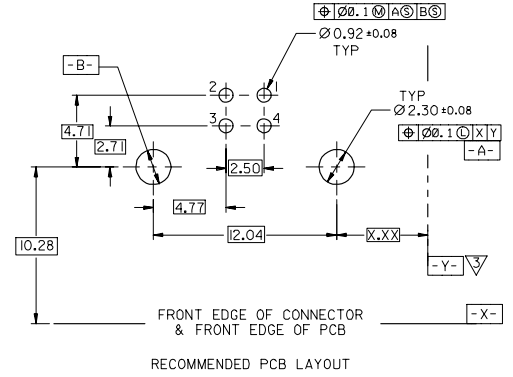
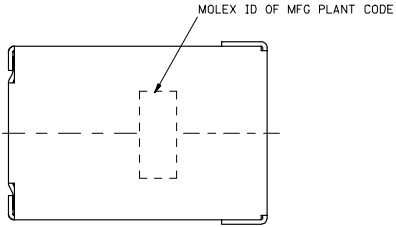
67068- 7051

				MATERIAL : SEE NOTES		MOLEX TAIWAN LTD.	
				FINISH : SEE NOTES		SHEET 4 OF 4	
				WIRE RANGE :		GENERAL TOLERANCES	
				INS. RANGE :		ANGLE : ± 3° DIM : ± .25/.010	
A NEW RELEASE FOR LEAD-FREE				DAVID HU 2006/11/5		ENG. NO.: SD-67068-003	
LTR REVISION RECORD ECN DR DATE				DRAWN BY 2006/11/5 DAVID HU		REV A	
REVISE ONLY ON CAD SYSTEM				APPR'D BY		TITLE : HIGH TEMP/5B B TYPE CONNECTOR WITH STRAIGHT TAB (LEAD-FREE)	
				SCALE 4 : 1			

THIS DRAWING CONTAINS INFORMATION THAT IS PROPRIETARY TO MOLEX (FEMLE) AND SHOULD NOT BE USED WITHOUT WRITTEN PERMISSION

MXT, Sg - 13

- NOTES:
- 1.MATERIAL:
- HOUSING:
- (a)HIGH TEMP NYLON, GLASS FIBRE FILLED, UL94V-0, COLOR: 8#BLACK
 - (b)POLYESTER(PBT), 30% GLASS FIBER FILLED, UL94V-0, COLOR: 9#WHITE
- TERMINAL: PHOSPHOR BRONZE
- METAL SHELL: COPPER ALLOY
- 2.PLATING:
- TERMINAL:
- (c)GOLD FLASH ON CONTACT AREA, 75 MICRONCH MINIMUM PURE TIN(Sn) ON SOLDER TAIL, UNDER 50 MICRONCH MINIMUM NICKEL(Ni) PLATE.
 - (d)30 MICRONCH MINIMUM GOLD(Au) ON CONTACT AREA, 75 MICRONCH MINIMUM PURE TIN(Sn) ON SOLDER TAIL, UNDER 50 MICRONCH MINIMUM NICKEL(Ni) PLATE.
 - (e)GOLD FLASH ON CONTACT AREA, 75 MICRONCH MINIMUM MATTE TIN(Sn) ON SOLDER TAIL, UNDER 50 MICRONCH MINIMUM NICKEL(Ni) PLATE.
 - (f)30 MICRONCH MINIMUM GOLD(Au) ON CONTACT AREA, 75 MICRONCH MINIMUM MATTE TIN(Sn) ON SOLDER TAIL, UNDER 50 MICRONCH MINIMUM NICKEL(Ni) PLATE.
- METAL SHELL:
- (g)50 MICRONCH MINIMUM PURE TIN(Sn) UNDER 50 MICRONCH MINIMUM NICKEL(Ni) PLATE.
 - (h)50 MICRONCH MINIMUM MATTE TIN(Sn) UNDER 50 MICRONCH MINIMUM NICKEL(Ni) PLATE.
3. DATUM AND BASIC DIMENSIONS ESTABLISHED BY CUSTOMER.
RECOMMENDED PCB THICKNESS : 1.60±0.05
4. PRODUCT SPECIFICATION : REFER TO PS-67998-0000



P/N	HOUSING COLOR	PLATING
67068-8000	BLACK	GOLD FLASH SEE NOTES[2-(c),2-(g)]
67068-8001	BLACK	30MICRONCH Au SEE NOTES[2-(d),2-(g)]
67068-9000	WHITE	GOLD FLASH SEE NOTES[2-(c),2-(g)]
67068-9001	WHITE	30MICRONCH Au SEE NOTES[2-(d),2-(g)]
67068-8012	BLACK	30MICRONCH Au SEE NOTES[2-(f),2-(h)]
67068-8013	BLACK	GOLD FLASH SEE NOTES[2-(e),2-(h)]

REVISED EC NO. SH2007-0468 2007/01/19 DRW:HYH01 2007/01/19 CHK:YIANG 2007/01/26 APPR: JICHEN 2007/01/26	DESCRIPTION QUALITY SYMBOLS ▽=0 ▽=0	GENERAL TOLERANCES (UNLESS SPECIFIED)		DIMENSION STYLE MM ONLY		SCALE 4:1	DESIGN UNITS METRIC	THIRD ANGLE PROJECTION																	
		<table border="1"> <thead> <tr> <th></th> <th>mm</th> <th>INCH</th> </tr> </thead> <tbody> <tr> <td>4 PLACES</td> <td>± ---</td> <td>± ---</td> </tr> <tr> <td>3 PLACES</td> <td>± ---</td> <td>± ---</td> </tr> <tr> <td>2 PLACES</td> <td>± 0.25</td> <td>± .010</td> </tr> <tr> <td>1 PLACE</td> <td>± 0.25</td> <td>± .010</td> </tr> <tr> <td colspan="3">ANGULAR ± 3°</td> </tr> </tbody> </table>			mm	INCH	4 PLACES	± ---	± ---	3 PLACES	± ---	± ---	2 PLACES	± 0.25	± .010	1 PLACE	± 0.25	± .010	ANGULAR ± 3°			DRAWN BY DAVID HU DATE 2004/11/05	TITLE USB B TYPE CONNECTOR LEAD-FREE		
			mm	INCH																					
		4 PLACES	± ---	± ---																					
3 PLACES	± ---	± ---																							
2 PLACES	± 0.25	± .010																							
1 PLACE	± 0.25	± .010																							
ANGULAR ± 3°																									
DRAFT WHERE APPLICABLE MUST REMAIN WITHIN DIMENSIONS		CHECKED BY HARVEY DATE 2004/11/05	MOLEX INCORPORATED																						
MATERIAL NO. SEE NOTES		DOCUMENT NO. SD-67068-004		SHEET NO. 1 OF 1																					