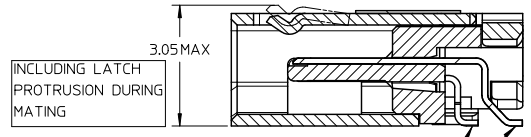
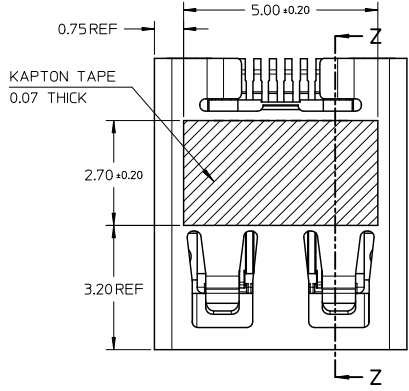
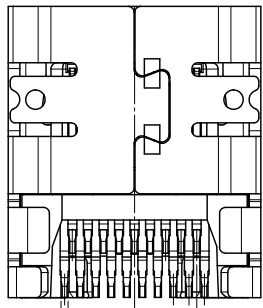


MICRO HDMI-SMT TYPE MOUNTING ISOMETRIC VIEW



SECTION Z-Z

SELECTIVE GOLD FLASH ON SOLDERING FACE ONLY

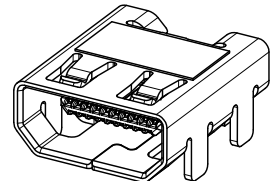
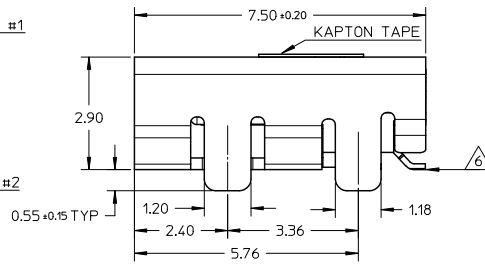
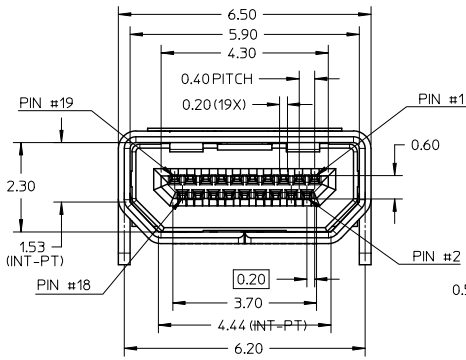


- NOTES:
- MATERIALS:
HOUSING: LCP, 30% GLASS FILLED, UL94V-0
TERMINALS: COPPER ALLOY
SHIELD: STAINLESS STEEL
 - FINISHES:
TERMINALS: GOLD ON CONTACT AREA (Refer Table), 0.05UM MIN GOLD FLASH ON SOLDER TAILS, AND 2.0UM MIN NICKEL UNDERPLATE OVERALL
SHIELD: MATTE TIN (Refer Table) OVER 1.27UM MIN NICKEL
 - PRODUCT SPECIFICATION: PS-46765-001
 - PACKAGING SPECIFICATION: PACKED IN TAPE & REEL
 - SEE SHEET 4 OF 5 FOR RECOMMENDED PCB LAYOUT
 - TERMINAL SOLDER-TAIL COPLANARITY 0.08 MAX

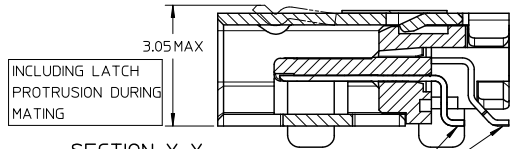
	Contact: 0.76µM Gold Min Shield: 3.8µM Tin Min	Contact: 0.38µM Gold Min Shield: 2.0µM Tin Min
MOUNTING TYPE	PART NUMBER	PART NUMBER
SMT TYPE+KAPTON TAPE	46765-0001	46765-0301
SMT TYPE	46765-0011	46765-0311

RELEASED EC NO: S2011-0647 DRW:MKSHANTHA 2011/02/18 CHKD:JESSECHUA 2011/03/29 APPR:NAGESHKN 2011/03/29	QUALITY SYMBOLS ▽=0 ▽=0	GENERAL TOLERANCES (UNLESS SPECIFIED)		DIMENSION STYLE	SCALE	DESIGN UNITS	THIRD ANGLE PROJECTION	
				MM ONLY	NTS	METRIC		
				mm	INCH	TITLE		
				DRAWN BY DATE			MICRO HDMI, TYPE-D 0.4MM PITCH, 19CKT RECEPTACLE CONNECTOR	
		4 PLACES ± --- ± ---		MKAMARAU 2008/10/14		MOLEX INCORPORATED		
		3 PLACES ± --- ± ---		CHECKED BY DATE		DOCUMENT NO.		
		2 PLACES ± 0.1 ± ---		MKAMARAU 2008/10/14		SD-46765-001		
		1 PLACE ± --- ± ---		APPROVED BY DATE		SHEET NO.		
		ANGULAR ± 2 °		NAGESHKN 2010/11/19		1 OF 5		
		DRAFT WHERE APPLICABLE MUST REMAIN WITHIN DIMENSIONS		MATERIAL NO.		THIS DRAWING CONTAINS INFORMATION THAT IS PROPRIETARY TO MOLEX INCORPORATED AND SHOULD NOT BE USED WITHOUT WRITTEN PERMISSION		
				SEE TABLE				

10 9 8 7 6 5 4 3 2 1



MICRO HDMI-THRU HOLE TYPE MOUNTING ISOMETRIC VIEW



SECTION Y-Y

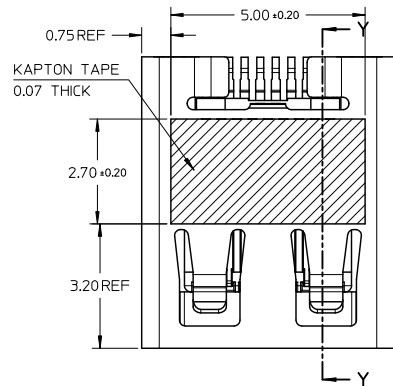
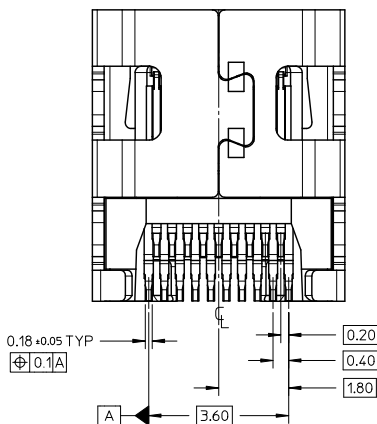
SELECTIVE GOLD FLASH ON SOLDERING FACE ONLY

NOTES:

- MATERIALS:
HOUSING: LCP, 30% GLASS FILLED, UL94V-0
TERMINALS: COPPER ALLOY
SHIELD: STAINLESS STEEL
- FINISHES:
TERMINALS: GOLD ON CONTACT AREA (Refer Table),
0.05UM MIN GOLD FLASH ON SOLDER TAILS,
AND 2.0UM MIN NICKEL UNDERPLATE OVERALL
SHIELD: MATTE TIN (Refer Table) OVER 1.27UM MIN NICKEL
- PRODUCT SPECIFICATION: PS-46765-001
- PACKAGING SPECIFICATION: PACKED IN TAPE & REEL
- SEE SHEET 4 OF 5 FOR RECOMMENDED PCB LAYOUT

△ TERMINAL SOLDER-TAIL COPLANARITY 0.08 MAX

	Contact: 0.76µm Gold Min Shield: 3.8µm Tin Min	Contact: 0.38µm Gold Min Shield: 2.0µm Tin Min
MOUNTING TYPE	PART NUMBER	PART NUMBER
THRU HOLE TYPE+KAPTON TAPE	46765-1001	46765-1301
THRU HOLE TYPE	46765-1011	46765-1311



RELEASED
EC NO: S2011-0647
DRAWN BY: DRWNKSHANTHA
CHECKED BY: JESSIECHIA
APPROVED BY: NAGESHKN
2011/02/18
2011/03/29
2011/03/29

QUALITY SYMBOLS
▽=0
▽=0

GENERAL TOLERANCES (UNLESS SPECIFIED)

	mm	INCH
4 PLACES	± ---	± ---
3 PLACES	± ---	± ---
2 PLACES	± 0.1	± ---
1 PLACE	± ---	± ---
ANGULAR ± 2 °		

DRAFT WHERE APPLICABLE MUST REMAIN WITHIN DIMENSIONS

DIMENSION STYLE
MM ONLY

DRAWN BY	DATE
CHKAMARAU	2008/10/14
CHECKED BY	DATE
CHKAMARAU	2008/10/14
APPROVED BY	DATE
NAGESHKN	2010/11/19

MATERIAL NO.
SEE TABLE

SCALE
NTS

DESIGN UNITS
METRIC

THIRD ANGLE PROJECTION

TITLE
MICRO HDMI, TYPE-D
0.4MM PITCH, 19CKT
RECEPTACLE CONNECTOR

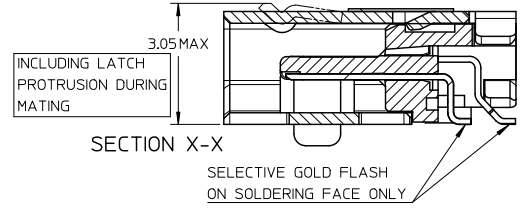
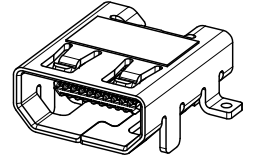
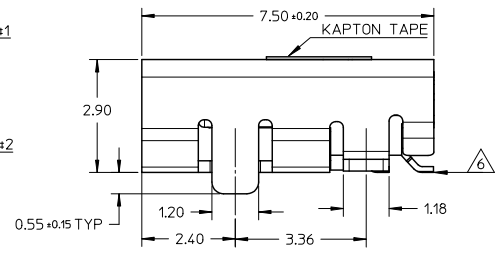
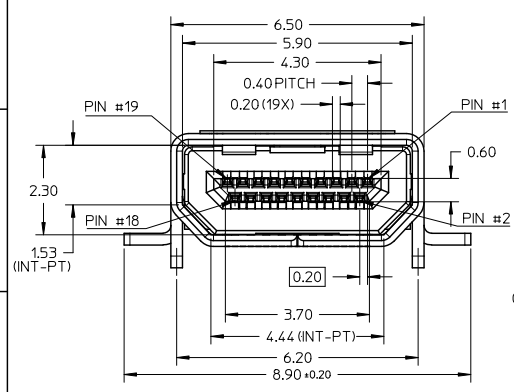
MOLEX INCORPORATED

DOCUMENT NO.
SD-46765-001

SHEET NO.
2 OF 5

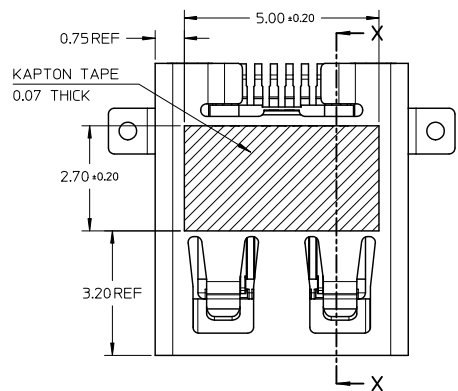
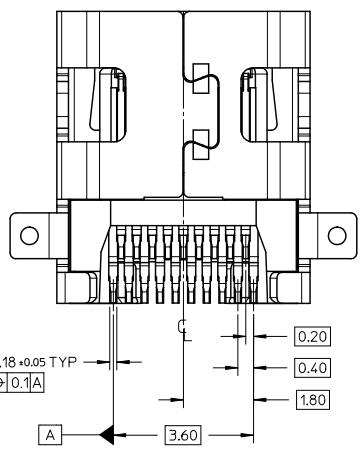
9 8 7 6 5 4 3 2 1

10 9 8 7 6 5 4 3 2 1



- NOTES:
- MATERIALS:
 - HOUSING: LCP, 30% GLASS FILLED, UL94V-0
 - TERMINALS: COPPER ALLOY
 - SHIELD: STAINLESS STEEL
 - FINISHES:
 - TERMINALS: GOLD ON CONTACT AREA (Refer Table), 0.05UM MIN GOLD FLASH ON SOLDER TAILS, AND 2.0UM MIN NICKEL UNDERPLATE OVERALL
 - SHIELD: MATTE TIN (Refer Table) OVER 1.27UM MIN NICKEL
 - PRODUCT SPECIFICATION: PS-46765-001
 - PACKAGING SPECIFICATION: PACKED IN TAPE & REEL
 - SEE SHEET 4 OF 5 FOR RECOMMENDED PCB LAYOUT
 - TERMINAL SOLDER-TAIL COPLANARITY 0.08 MAX

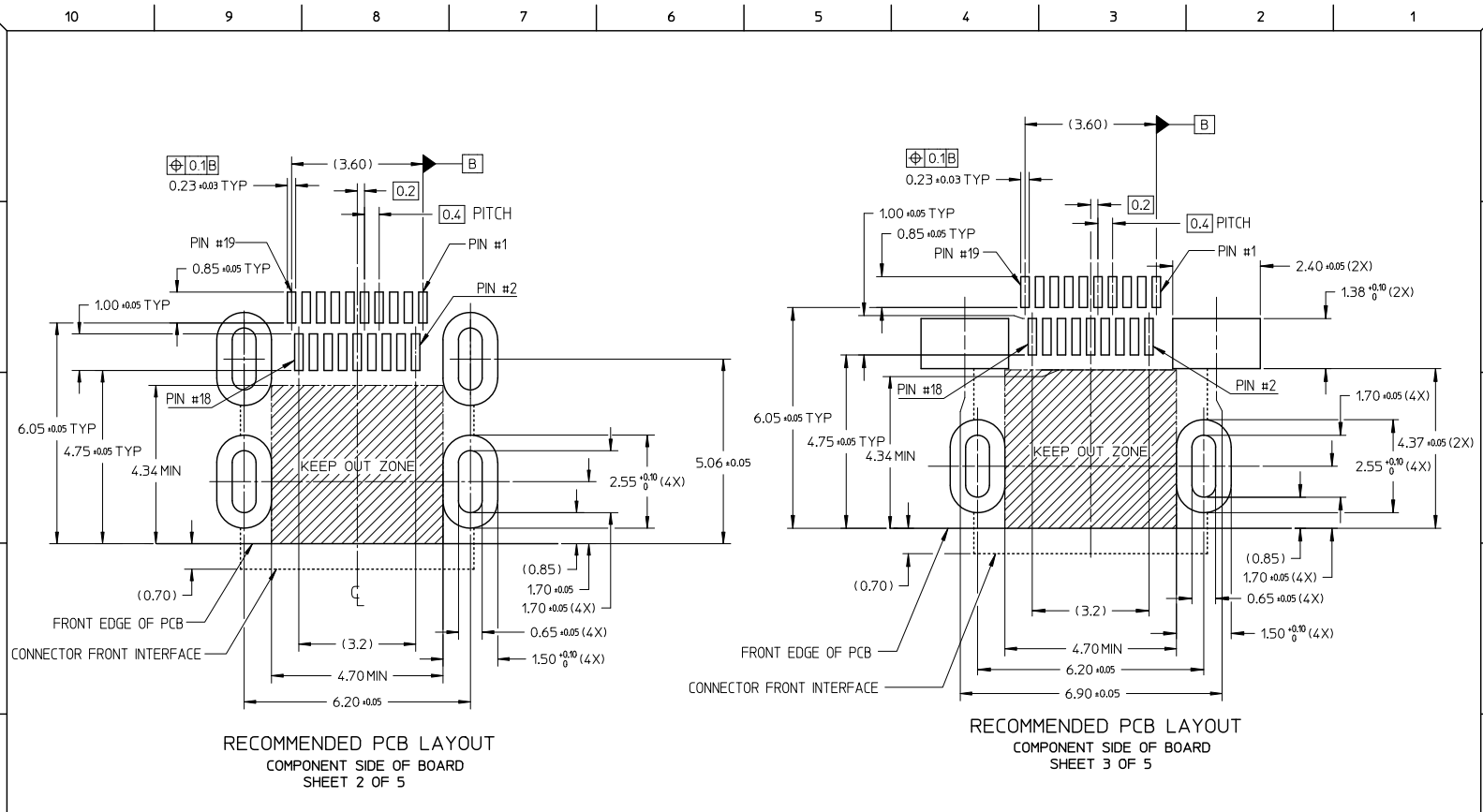
	Contact: 0.76µM Gold Min Shield: 3.8µM Tin Min	Contact: 0.38µM Gold Min Shield: 2.0µM Tin Min
MOUNTING TYPE	PART NUMBER	PART NUMBER
HYBRID TYPE+KAPTON TAPE	46765-2001	46765-2301
HYBRID TYPE	46765-2011	46765-2311



RELEASED EC NO: S2011-0647 DRWNK: SHANTHA 2011/02/18 CHYK: JESSIECHUA 2011/03/29 APPR: NAGESHKN 2011/03/29	QUALITY SYMBOLS ▽=0 ▽=0	GENERAL TOLERANCES (UNLESS SPECIFIED)		DIMENSION STYLE		SCALE	DESIGN UNITS	THIRD ANGLE PROJECTION	
				MM ONLY		NTS	METRIC		
				mm	INCH	DRAWN BY DATE		TITLE	
						MKAMARAU 2008/10/14		MICRO HDMI, TYPE-D 0.4MM PITCH, 19CKT RECEPTACLE CONNECTOR	
				CHECKED BY DATE		MOLEX INCORPORATED			
				MKAMARAU 2008/10/14		DOCUMENT NO.			
				APPROVED BY DATE		SD-46765-001			
				NAGESHKN 2010/11/19		SHEET NO.			
				MATERIAL NO.		3 OF 5			
				SEE TABLE					
				SIZE					
				A3					
				THIS DRAWING CONTAINS INFORMATION THAT IS PROPRIETARY TO MOLEX INCORPORATED AND SHOULD NOT BE USED WITHOUT WRITTEN PERMISSION					

tb_frame_A3_P_AM_T
Rev. E 2006/04/15

9 8 7 6 5 4 3 2 1



RELEASED EIC NO: S2011-0647 DRWN: KSHANTHA 2011/02/18 CHYD: JESSIECHUA 2011/03/29 APPR: NAGESHKN 2011/03/29 REV DESCRIPTION	QUALITY SYMBOLS	GENERAL TOLERANCES (UNLESS SPECIFIED) <table border="1"> <tr> <td></td> <td>mm</td> <td>INCH</td> </tr> <tr> <td>4 PLACES</td> <td>± ---</td> <td>± ---</td> </tr> <tr> <td>3 PLACES</td> <td>± ---</td> <td>± ---</td> </tr> <tr> <td>2 PLACES</td> <td>± 0.1</td> <td>± ---</td> </tr> <tr> <td>1 PLACE</td> <td>± ---</td> <td>± ---</td> </tr> <tr> <td colspan="3">ANGULAR ± 2°</td> </tr> </table>		mm	INCH	4 PLACES	± ---	± ---	3 PLACES	± ---	± ---	2 PLACES	± 0.1	± ---	1 PLACE	± ---	± ---	ANGULAR ± 2°			DIMENSION STYLE	SCALE	DESIGN UNITS	THIRD ANGLE PROJECTION
			mm	INCH																				
	4 PLACES		± ---	± ---																				
	3 PLACES		± ---	± ---																				
2 PLACES	± 0.1	± ---																						
1 PLACE	± ---	± ---																						
ANGULAR ± 2°																								
		MM ONLY	NTS	METRIC																				
		DRAWN BY DATE	TITLE	MOLEX INCORPORATED																				
		CHECKED BY DATE		SD-46765-001																				
		APPROVED BY DATE		5 OF 5																				
		MATERIAL NO.	DOCUMENT NO.																					
		SEE TABLE																						
		DRAFT WHERE APPLICABLE MUST REMAIN WITHIN DIMENSIONS																						
		THIS DRAWING CONTAINS INFORMATION THAT IS PROPRIETARY TO MOLEX INCORPORATED AND SHOULD NOT BE USED WITHOUT WRITTEN PERMISSION																						