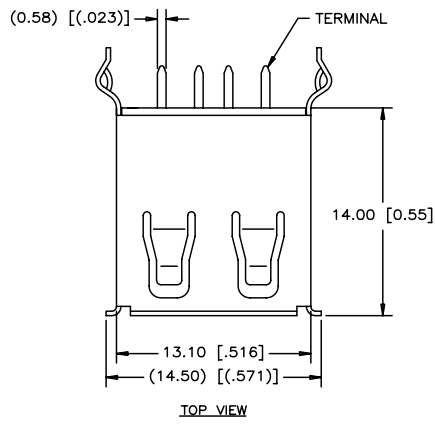


REVISIONS			
SYM	ZONE	ECN, ERN NO.	DATE APPRD.
B		TEMP RATING NOTE ADDED	NOV06/08 A.G.



AMPHENOL PART NUMBER: U E 2 7 - A E X 4 - X O X

SERIES _____
UE27=RECEPTACLE

TYPE _____
A=SERIES A

STYLE _____
E=STRAIGHT PCB, VERTICAL MOUNT

CONTACT & SHIELD PLATING OPTION

5=30.µin[0.76 MICRONS] GOLD OVER NICKEL ON CONTACT MATING AREA,
100.µin[2.54 MICRONS] TIN PLATING ON CONTACT TAILS.

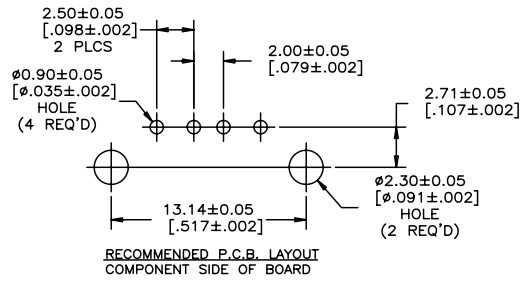
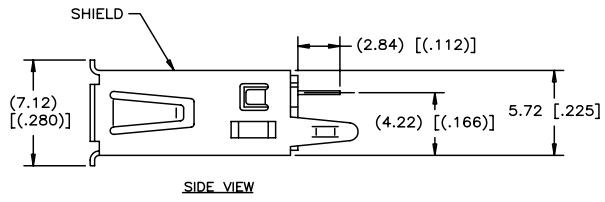
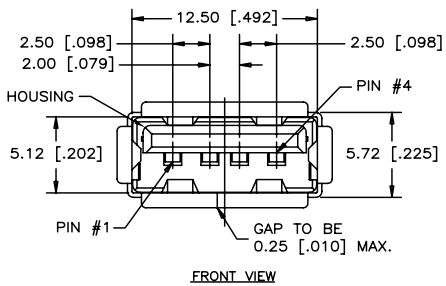
7=GOLD FLASH OVER NICKEL ON CONTACT MATING AREA,
100.µin[2.54 MICRONS] TIN PLATING ON CONTACT TAILS.

MODIFIER
0=PBT HOUSING
H=HIGH TEMP HOUSING (MAXIMUM TEMPERATURE RATING: 260°C FOR 10s)

SHIELDING OPTION
0=STANDARD

COLOUR:
1=BLACK
2=BEIGE (AVAILABLE FOR STANDARD TEMP ONLY)

NUMBER OF CONTACTS
4=4 CONTACTS



NOTES:

HOUSING: ENGINEERING THERMOPLASTIC, FLAMMABILITY UL94V-0.

CONTACTS: COPPER ALLOY. CONTACT PLATING AS FOLLOW: SEE AMPHENOL PART NUMBER SYSTEM FOR PLATING OPTIONS.

SHELL: COPPER ALLOY. PLATING: NICKEL OVER COPPER UNDERPLATE.

MATERIAL	DRAWN	Chigow	DATE	DEC09/08	Amphenol Canada Corp.
	DESIGNED				
FINISH	CHECKED	PAULW	DATE	DEC09/08	TITLE
	I. E. APPRD.				
	Q. A. APPRD.				UNIVERSAL SERIAL BUS (SERIES A) RECEPTACLE, STRAIGHT PCB TAIL, VERTICAL MOUNT-RoHS COMPLIANT
	DWG. APPRD.				
	ENG. REL. NO.				DWG
	REF.				DRAWING NO.
	DIMENSIONS ARE IN	mm [INCHES]	CODE ID. NO.	03554	P-UE27-AEX4-XOX
			SCALE	5/1	WT. _____ SURF. _____ SHEET 1 OF 1

THIS DOCUMENT CONTAINS PROPRIETARY INFORMATION AND SUCH INFORMATION MAY NOT BE DISCLOSED TO OTHERS FOR ANY PURPOSE OR USED FOR MANUFACTURING PURPOSES WITHOUT WRITTEN PERMISSION FROM AMPHENOL CANADA CORP.