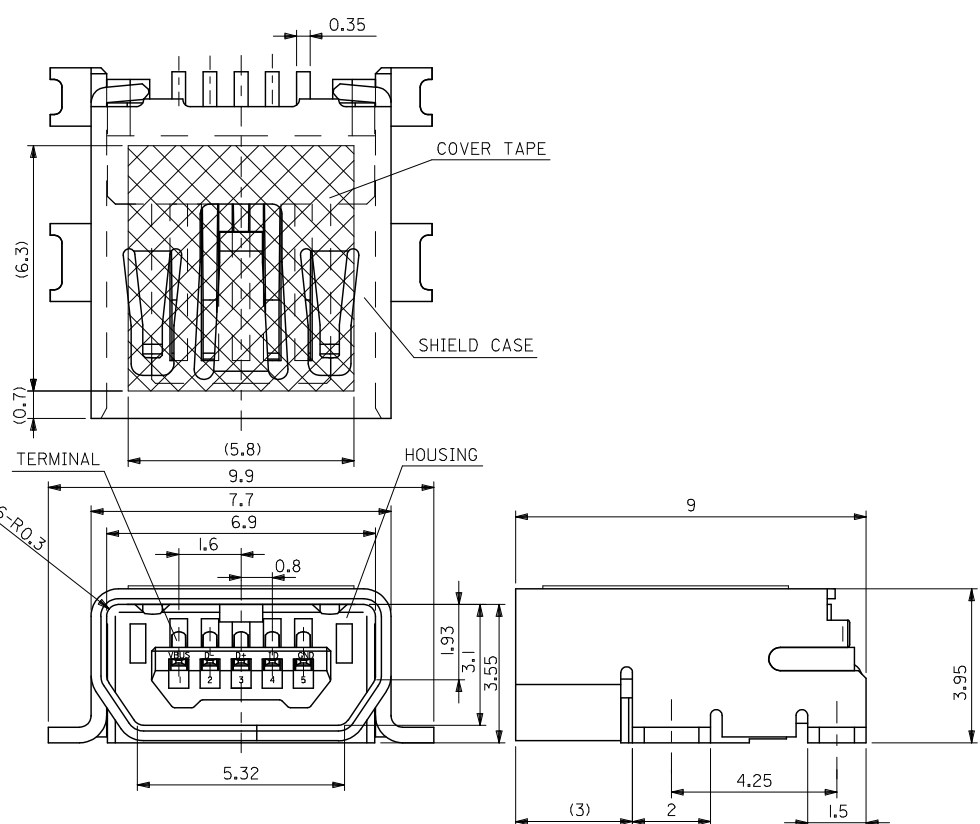
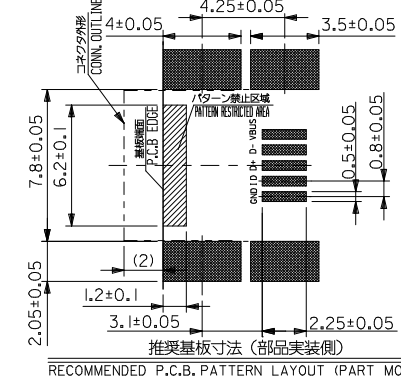


10 9 8 7 6 5 4 3 2 1



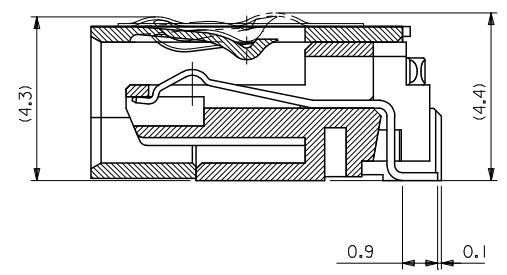
- 注記 1. 材質
NOTES MATERIAL
- ハウジング: PA, ガラス充填, 灰色, UL94V-0
 - HOUSING: PA, GLASS FILLED, GRAY, UL94V-0
 - ターミナル: 銅合金 (t=0.2)
 - TERMINAL: COPPER ALLOY(t=0.2)
 - シールドケース: 銅合金 (t=0.4)
 - SHIELD CASE: COPPER ALLOY(t=0.4)
 - カバーテープ: ポリイミド (t=0.08)
 - COVER TAPE: POLYIMIDE (t=0.08)
2. メッキ仕様
PLATING
- ターミナル
 - TERMINAL
 - 接点部: 金メッキ 0.76MICRO METER MIN.
 - CONTACT AREA: GOLD 0.76MICRO METER MINIMUM.
 - 半田付け部: 銅メッキ 1.0MICRO METER MIN.
 - SOLDER TAPE: TIN 1.0MICRO METER MINIMUM.
 - 下地部: ニッケルメッキ 4.0MICRO METER MIN.
 - UNDER PLATING: NICKEL 4.0MICRO METER MINIMUM.
 - シールドケース
 - SHIELD CASE
 - 銅メッキ 1.0MICRO METER MIN.
 - TIN 1.0MICRO METER MINIMUM.
 - 下地部: ニッケルメッキ 4.0MICRO METER MIN.
 - UNDER PLATING: NICKEL 4.0MICRO METER MINIMUM.
3. テールネール平坦度は0.1mm MAX.
TAIL, NAIL COPLANARITY 0.1mm MAX.
4. 本製品は56579-0571の鉛フリー品である。
THIS PRODUCT IS LEAD FREE OF 56579-0571.



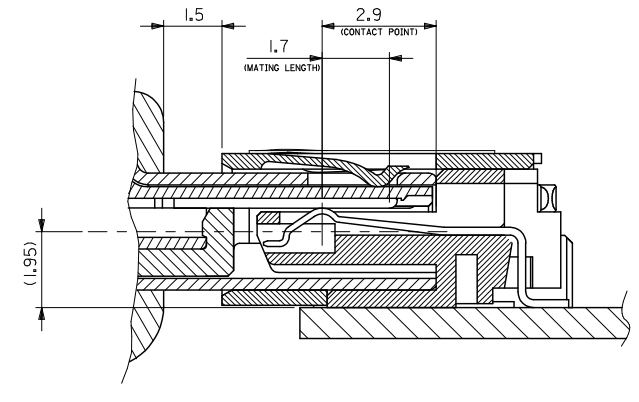
56579-0576	56579-0579
EMBOSSED TAPE	MATERIAL No.
ORDER No.	

MODEL No.56579-***79

REVISED EC NO: J2009-4533 DRAWN BY: DRWNESATO CHKD:HMATSUMOTO APPR:HIKITA A	GENERAL TOLERANCES (UNLESS SPECIFIED)		DIMENSION STYLE		SCALE	DESIGN UNITS		THIRD ANGLE PROJECTION
			MM ONLY		10:1	METRIC		
	10 UNDER	±0.2	DRAWN BY M. NAGATA		DATE 2004/05/17		TITLE	
	10 OVER 30 UNDER	±0.25	CHECKED BY K. TOJO		DATE 2004/05/17		USB SERIES MINI-AB REC.HS'G ASS'Y(SMT) -LEAD FREE-	
30 OVER	±0.3	APPROVED BY M. SASAO		DATE 2004/05/17		MOLEX INCORPORATED		
	ANGULAR ±3°	MATERIAL NO.		SEE TABLE		DOCUMENT NO. SD-56579-015		
DRAFT WHERE APPLICABLE MUST REMAIN WITHIN DIMENSIONS		SIZE A		THIS DRAWING CONTAINS INFORMATION THAT IS PROPRIETARY TO MOLEX INCORPORATED AND SHOULD NOT BE USED WITHOUT WRITTEN PERMISSION				



SECTION



MATING

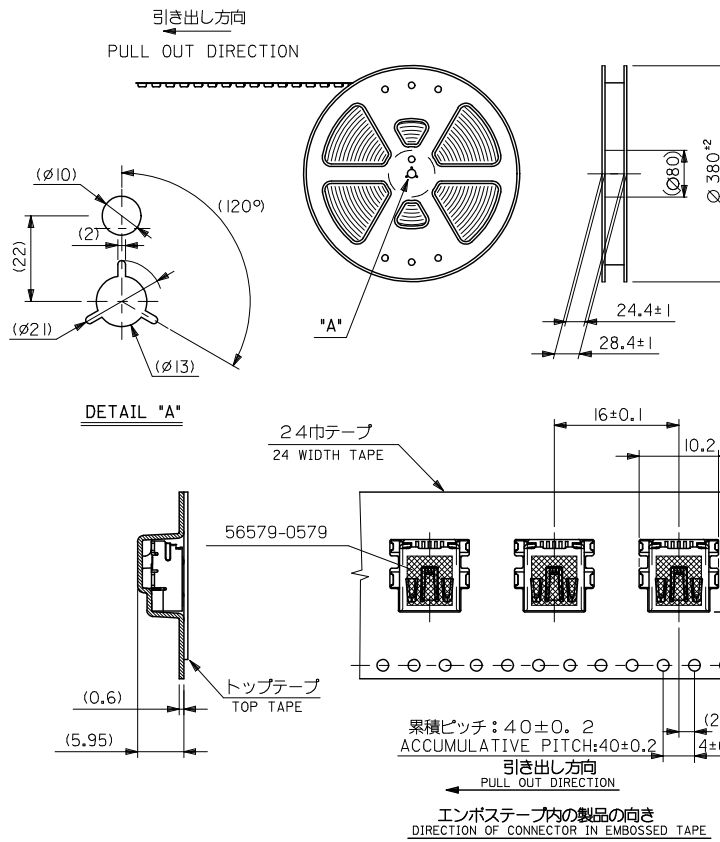
MODEL No.56579-**79

REVISED EC NO: J2009-4533 DRAWN BY: DRWNSATO 2009/06/25 CHYKOHMATSUNO 2009/06/25 APPRNIKITA 2009/06/25	GENERAL TOLERANCES (UNLESS SPECIFIED)		DIMENSION STYLE MM ONLY	SCALE 10:1	DESIGN UNITS METRIC	THIRD ANGLE PROJECTION
	10 UNDER	±0.2	DRAWN BY M. NAGATA	DATE 2004/05/17	TITLE USB SERIES MINI-AB REC.HS'G ASS'Y(SMT) -LEAD FREE-	
	10 OVER 30 UNDER	±0.25	CHECKED BY K. TOJO	DATE 2004/05/17	MOLEX INCORPORATED	
	30 OVER	±0.3	APPROVED BY M. SASAO	DATE 2004/05/17		
ANGULAR	±3 °	MATERIAL NO. SEE SHEET1	SHEET NO. 2 OF 2			
A	DRAFT WHERE APPLICABLE MUST REMAIN WITHIN DIMENSIONS		THIS DRAWING CONTAINS INFORMATION THAT IS PROPRIETARY TO MOLEX INCORPORATED AND SHOULD NOT BE USED WITHOUT WRITTEN PERMISSION			

fb_frame_A3_J_ME_S
Rev. E 2006/04/15

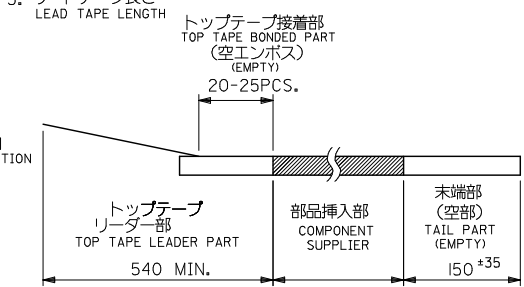
EN-02JA(021)

10 9 8 7 6 5 4 3 2 1



NOTES

- 56579-0579の詳細はSD-56579-015参照
IN THE PACKAGE PART NO.56579-0579 DETAILED, SEE SD-56579-015.
- 梱包数量: 800 個/リール
NUMBER OF CONNECTORS: 800 PCS/REEL
- リードテープ長さ
LEAD TAPE LENGTH



- トップテープの剥離強度: 0.1~1.3N/10~130gf
(剥離方向は下図参照) キャリアテープ幅: 2.4mm
PEEL-OFF FORCE OF TOP TAPE: 0.1~1.3N/10~130gf
(PEELING DIRECTION AS SHOWN IN FOLLOWING FIG.)
CARRIER TAPE WIDTH

尚、本規格値は、出荷時に適用。
(且し、輸送時に剥離が発生しない事。)
(PEEL OFF SHOULD NOT BE ALLOWED, DURING TRANSPORTATION) PEEL OFF DIRECTION



5. 材料
MATERIAL
キャリアテープ: ポリプロピレン POLYSTYREN (PS)
CARRIER TAPE: POLYPROPYLENE
トップテープ: ポリエステル, ポリエチレン
TOP TAPE: POLYESTER, POLYETHYLENE
リール: ポリスチレン <リサイクル材を含む>
REEL: POLYSTYRENE <RECYCLE MATERIAL CONTAINED>
6. 本製品は56579-0578の鉛フリー品である。
THIS PRODUCT IS LEAD FREE OF 56579-0578.

56579-0576
MATERIAL No.

MODEL No.56579-0576

REVISED	EC NO: J2009-1142	2008/11/14	DRW: NITAKAZONO	2008/11/14	CHK: CHIMATSUNO	2008/11/14	APP: NIKITA	2008/11/14	GENERAL TOLERANCES (UNLESS SPECIFIED)		DIMENSION STYLE		SCALE	DESIGN UNITS	THIRD ANGLE PROJECTION	
									10 UNDER	±0.2	MM ONLY		2:1	METRIC	☉	
A									10 OVER	±0.25	DRAWN BY: MNAGATA	DATE: 2004/05/17	TITLE: USB SERIES MINI-AB (SMT) EMBOSSED ASS'Y -LEAD FREE-			
									30 OVER	±0.3	CHECKED BY: KTOJO	DATE: 2004/05/17	MOLEX INCORPORATED			
									ANGULAR	±3°	APPROVED BY: MSASAO	DATE: 2004/05/17	SD-56579-016			
									DRAFT WHERE APPLICABLE MUST REMAIN WITHIN DIMENSIONS		MATERIAL NO. SEE TABLE		DOCUMENT NO.		SHEET NO.	
											SIZE: 3 THIS DRAWING CONTAINS INFORMATION THAT IS PROPRIETARY TO MOLEX INCORPORATED AND SHOULD NOT BE USED WITHOUT WRITTEN PERMISSION				1 OF 1	

fb_frame_A3_J_ME_S
Rev. E 2006/04/15

EN-02JA(021)