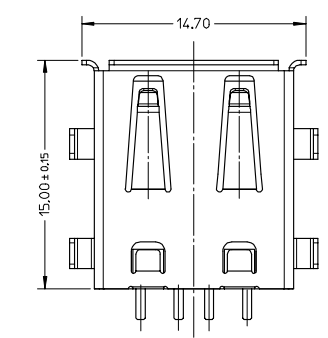
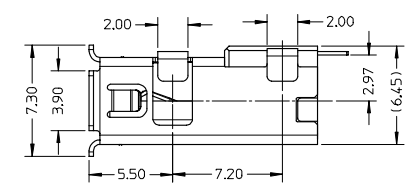
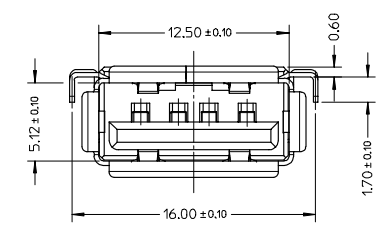


RECOMMENDED PCB LAYOUT (COMPONENT SIDE)
 PCB THICKNESS=1.2mm (DEFAULT TOLERANCE=±0.05)

NOTES:

- MATERIAL:
 HOUSING: PA6T, GLASS FIBRE FILLED, UL94-V0, COLOR: BLACK.
 TERMINAL: PHOSPHOR BRONZE.
 METAL SHELL: COPPER ALLOY.
- PLATING:
 TERMINAL:
 CONTACT AREA: GOLD FLASH PLATING.
 SOLDER AREA: MATTE TIN 2 MICROMETRE MIN.
 UNDERPLATING: NICKLE 1.27 MICROMETRE MIN.
 METAL SHELL:
 SOLDERABLE NICKEL 1.27 MICROMETRE MIN.
- PRODUCT SPECIFICATION REFERENCE TO PS-47504-001.
- COMPLIANT TO RoHS DIRECTIVE 2002/95/EC AND ELV DIRECTIVE 2000/53/EC.



NEW PRODUCT EC NO: SH2008-0222 DRW: KWEI 2007/11/15 CHK: RZHANG 2007/11/16 APPR: JINCHEN 2007/11/23	QUALITY SYMBOLS ▽=0 ▽=0	GENERAL TOLERANCES (UNLESS SPECIFIED)		DIMENSION STYLE MM ONLY		SCALE 4:1	DESIGN UNITS METRIC	THIRD ANGLE PROJECTION		
		4 PLACES ± --- ± ---	3 PLACES ± --- ± ---	2 PLACES ± 0.25 ± ---	1 PLACE ± 0.30 ± ---	ANGULAR ± --- °	DRAWN BY KLAUS WEI	DATE 2006/08/28	TITLE SINGLE USB SMT TYPE REVERSE TYPE	
		DRAFT WHERE APPLICABLE MUST REMAIN WITHIN DIMENSIONS		MATERIAL NO. 475040001	DOCUMENT NO. SD-47504-001	SHEET NO. 1 OF 1	MOLEX INCORPORATED			
		SIZE A3				THIS DRAWING CONTAINS INFORMATION THAT IS PROPRIETARY TO MOLEX INCORPORATED AND SHOULD NOT BE USED WITHOUT WRITTEN PERMISSION				