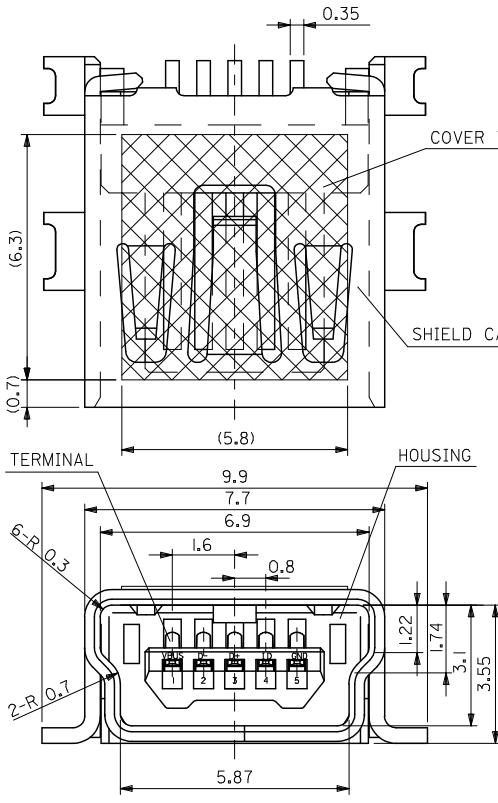


10 9 8 7 6 5 4 3 2 1



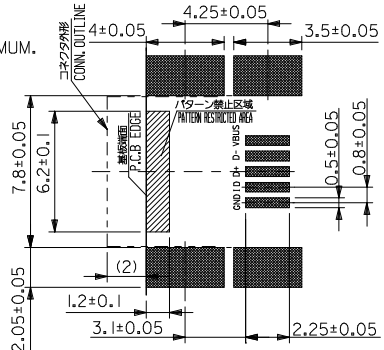
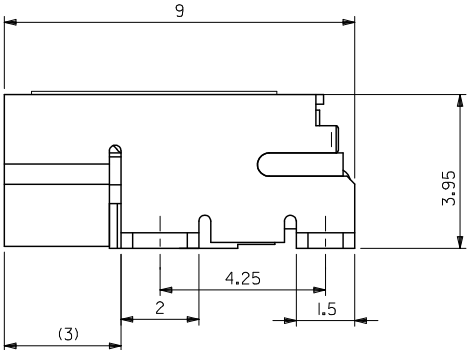
注記 1. 材質
NOTES MATERIAL

ハウジング: ポリアミド、ガラス充填、黒色、UL94V-0
HOUSING: PA, GLASS FILLED, BLACK, UL94V-0
ターミナル: 銅合金 (t=0.2)
TERMINAL: COPPER ALLOY (t=0.2)
シールド ケース: 銅合金 (t=0.4)
SHIELD CASE: COPPER ALLOY (t=0.4)
カバー テープ: ポリイミド (t=0.08)
COVER TAPE: POLYIMIDE (t=0.08)

2. メッキ仕様
PLATING

ターミナル
TERMINAL
接点部: 金メッキ 0.75 MICROMETER MIN.
CONTACT AREA: GOLD 0.75 MICROMETER MINIMUM.
半田付け部: 錫メッキ 無光沢 1.0 MICROMETER MIN.
SOLDER TAIL AREA: MATT TINI.0 MICROMETER MINIMUM.
下地部: ニッケルメッキ 4.0 MICROMETER MIN.
UNDER PLATING: NICKEL 4.0 MICROMETER MINIMUM.
シールド ケース
SHIELD CASE
: 錫メッキ 半光沢 1.0 MICROMETER MIN.
: SEMI-MATTE TIN I.0 MICROMETER MINIMUM.
下地部: ニッケルメッキ 4.0 MICROMETER MIN.
UNDER PLATING: NICKEL 4.0 MICROMETER MINIMUM.

3. テール、ネール平坦度は0.1mm MAX.
TAIL, NAIL COPLANARITY 0.1mm MAX.
4. 本製品は54819-0571の鉛フリー品である。
THIS PRODUCT IS LEAD FREE OF 54819-0571.

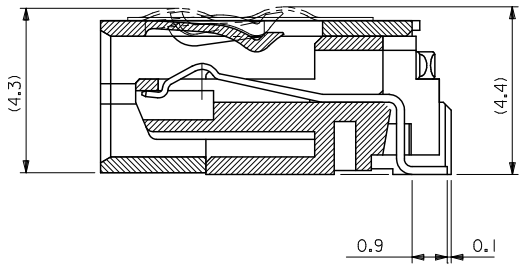


推奨基板寸法 (部品実装側)
RECOMMENDED P.C.B. PATTERN LAYOUT (PART MOUNT SIDE)

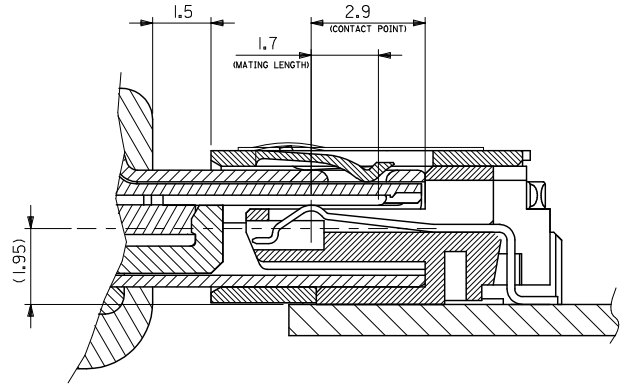
54819-0572	54819-0579
EMBOSSED TAPE	MATERIAL No.
ORDER No.	
MODEL No. 54819-**79	

REVISED REV C	REV	DESCRIPTION	DATE	DATE	DATE	TITLE USB SERIES MINI-B RECEPTACLE ASS'Y FOR SMT -LEAD FREE-	MOLEX INCORPORATED	DOCUMENT NO. SD-54819-027	SHEET NO. 1 OF 2	
	1	GENERAL TOLERANCES (UNLESS SPECIFIED)	DIMENSION STYLE MM ONLY	SCALE 10:1	DESIGN UNITS METRIC					THIRD ANGLE PROJECTION
	2	10 UNDER ±0.2	DRAWN BY H. KAWABATA	DATE 2004/05/21						
	3	10 OVER 30 UNDER ±0.25	CHECKED BY K. TOJO	DATE 2004/05/21						
		30 OVER ±0.3	APPROVED BY M. SASAO	DATE 2004/05/21						
		ANGULAR ±3°	MATERIAL NO. SEE TABLE							
		DRAFT WHERE APPLICABLE MUST REMAIN WITHIN DIMENSIONS	SIZE A3	THIS DRAWING CONTAINS INFORMATION THAT IS PROPRIETARY TO MOLEX INCORPORATED AND SHOULD NOT BE USED WITHOUT WRITTEN PERMISSION						

10 9 8 7 6 5 4 3 2 1



SECTION



MATING

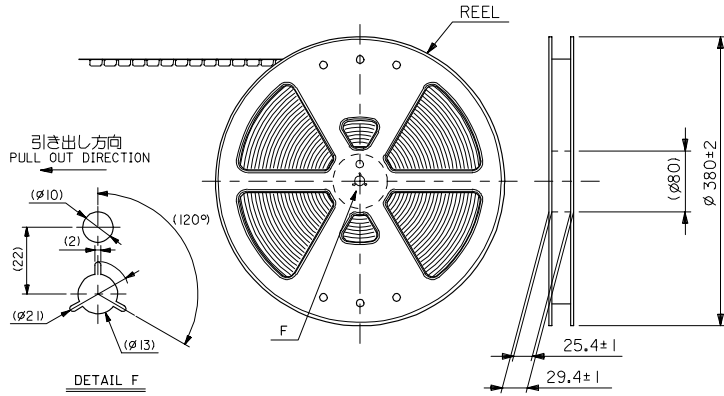
MODEL NO. 54819-***79

REVISED IEC NO: J2009-1533 DRWNSATO 2009/06/25 CHYKHMATSUMOTO 2009/06/25 APPRNIKIITA 2009/06/25	GENERAL TOLERANCES (UNLESS SPECIFIED)		DIMENSION STYLE	SCALE	DESIGN UNITS	THIRD ANGLE PROJECTION
	10 UNDER	±0.2	MM ONLY	10:1	METRIC	
	10 OVER 30 UNDER	±0.25	DRAWN BY	TITLE		
	30 OVER	±0.3	H. KAWABATA 2004/05/21	USB SERIES MINI-B RECEPTACLE ASS'Y FOR SMT -LEAD FREE-		
	ANGULAR ±3 °	CHECKED BY	MOLEX INCORPORATED			
	DRAFT WHERE APPLICABLE MUST REMAIN WITHIN DIMENSIONS	K. TOJO 2004/05/21	SD-54819-027			SHEET NO. 2 OF 2
		APPROVED BY	THIS DRAWING CONTAINS INFORMATION THAT IS PROPRIETARY TO MOLEX INCORPORATED AND SHOULD NOT BE USED WITHOUT WRITTEN PERMISSION			
		M. SASAO 2004/05/21				
		MATERIAL NO.				
		SEE SHEET 1				

ib_frame_A3_J_ME_S Rev. E 2006/04/15

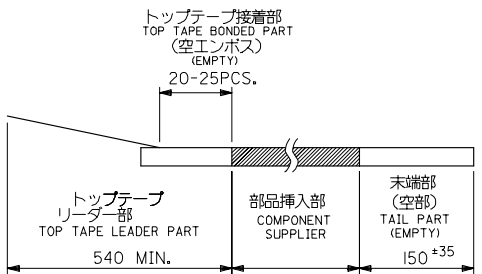
EN-02JA(021)

10 9 8 7 6 5 4 3 2 1

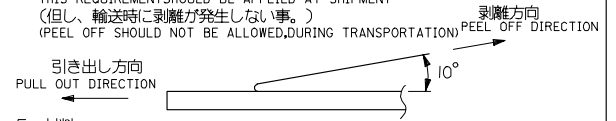


NOTES

- 54819-0579の詳細はSD-54819-027参照
IN THE PACKAGE PART NO.54819-0579 DETAILED, SEE SD-54819-027
- 梱包数量: 800 個/リール
NUMBER OF CONNECTORS: 800 PCS/REEL
- リードテープ長さ
LEAD TAPE LENGTH



- トップテープの剥離強度: 0.1 ~ 1.3 N {10 ~ 130gf}
(剥離方向は下図参照) キャリアテープ幅: 24mm
PEEL-OFF FORCE OF TOP TAPE: 0.1 ~ 1.3 N {10 ~ 130gf}
(PEELING DIRECTION AS SHOWN IN FOLLOWING FIG.)
CARRIER TAPE WIDTH
尚、本規格値は、出荷時に適用。
(但し、輸送時に剥離が発生しない事。)
(PEEL OFF SHOULD NOT BE ALLOWED, DURING TRANSPORTATION)



- 材料
MATERIAL
キャリアテープ: ポリプロピレン
CARRIER TAPE: POLYPROPYLENE
トップテープ: ポリエステル, ポリエチレン
TOP TAPE: POLYESTER, POLYETHYLENE
リール: ポリスチレン
REEL: POLYSTYRENE

- 本製品は 54819-0578 の鉛フリー品である。
THIS PRODUCT IS LEAD FREE OF 54819-0578.

54819-0572

MATERIAL NO.

MODEL NO. 54819-***72

THIRD ANGLE PROJECTION

USB SERIES MINI-B
RECH.S'G EMBOSSED ASS'Y
-LEAD FREE-

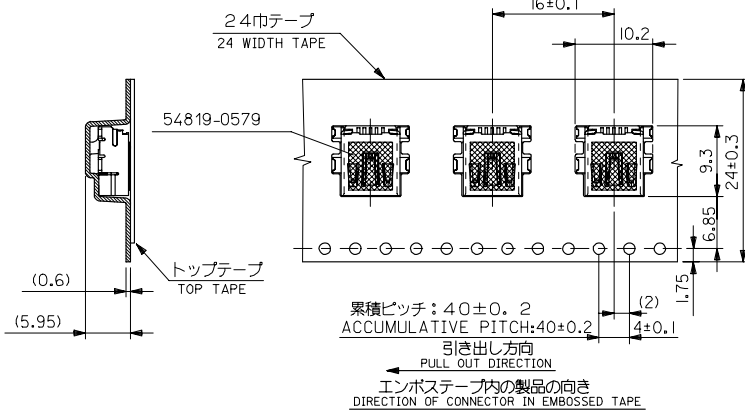
MOLEX INCORPORATED

DOCUMENT NO. SD-54819-028

SHEET NO. 1 OF 1

SEE CHART

THIS DRAWING CONTAINS INFORMATION THAT IS PROPRIETARY TO MOLEX INCORPORATED AND SHOULD NOT BE USED WITHOUT WRITTEN PERMISSION



累積ピッチ: 40 ± 0.2
ACCUMULATIVE PITCH: 40 ± 0.2
エンボステープ内の製品の向き
DIRECTION OF CONNECTOR IN EMBOSSED TAPE

REVISED EC NO: J2006-0378 DRAWN: YAMAGI MOTO 2005/08/03 CHKD: M. ANAKA 2005/08/03 APPR: NUKITA 2005/08/17	GENERAL TOLERANCES (UNLESS SPECIFIED)		DIMENSION STYLE MM ONLY		SCALE 2:1	DESIGN UNITS METRIC	MOLEX INCORPORATED
	10 UNDER	± 0.2	DRAWN BY H. KAWABATA	DATE 2004/05/21	TITLE USB SERIES MINI-B RECH.S'G EMBOSSED ASS'Y -LEAD FREE-		
	10 OVER 30 UNDER	± 0.25	CHECKED BY K. TOJO	DATE 2004/05/21	MATERIAL NO. SD-54819-028		
	30 OVER	± 0.3	APPROVED BY M. SASAO	DATE 2004/05/21	SHEET NO. 1 OF 1		
1	DESCRIPTION	DRAFT WHERE APPLICABLE MUST REMAIN WITHIN DIMENSIONS		SIZE A3	THIS DRAWING CONTAINS INFORMATION THAT IS PROPRIETARY TO MOLEX INCORPORATED AND SHOULD NOT BE USED WITHOUT WRITTEN PERMISSION		