

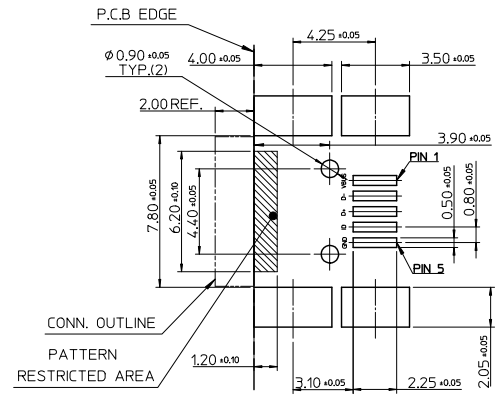
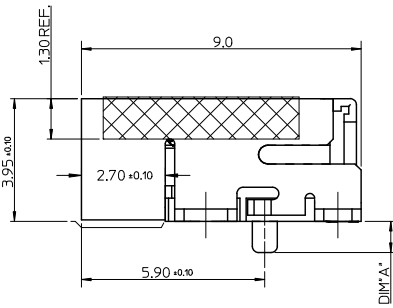
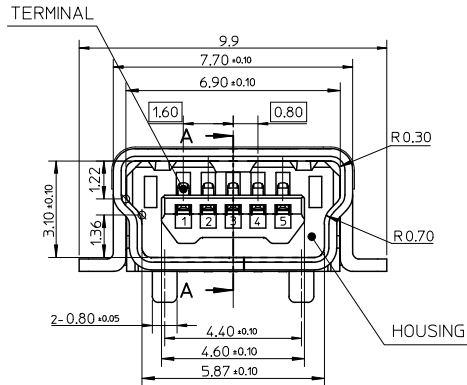
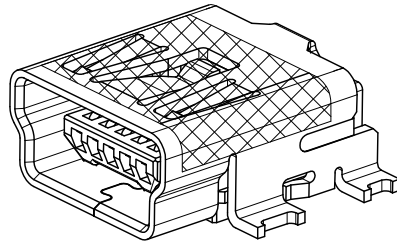
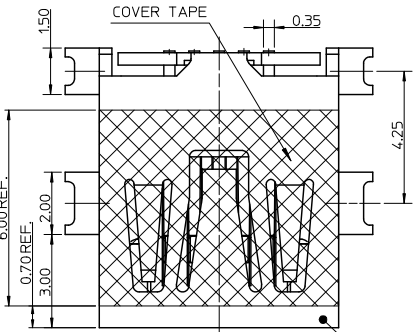
10 9 8 7 6 5 4 3 2 1

TABLE:

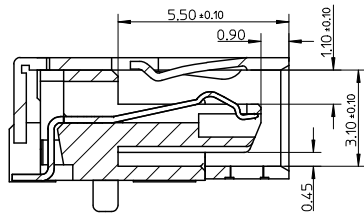
PRODUCT NO.	PACKAGE DOCUMENT	DIM'A*	REMARK
67503-1020	PK-67503-001	1.00	N/A
67503-2020	PK-67503-003	1.00	
67503-1030	PK-67503-001	0.80	
67503-1120	PK-67503-001	1.00	HALOGEN FREE

NOTE :

- MATERIAL :  
HOUSING : HIGH TEMPERATURE THERMAL PLASTIC ,  
BLACK,UL94V-0  
TERMINAL : COPPER ALLOY THICKNESS = 0.2 MM  
SHIELD CASE : COPPER ALLOY THICKNESS = 0.4 MM
- PLATING :  
TERMINAL:  
CONTACT AREA : GOLD 0.75 MICROMETER MINIMUM.  
SOLDER TAIL AREA :PURE TIN 1~3 MICROMETER PLATING.  
UNDER PLATING : NICKEL 1.25 MICROMETER MINIMUM.  
SHIELD CASE :  
PURE TIN 1~3 MICROMETER PLATING.  
UNDER PLATING : NICKEL 1.0 MICROMETER MINIMUM.
- TAIL & NAIL COPLANARITY 0.1 mm MAXIMUM.
- PRODUCT SPECIFICATION REFER TO PS-67803-001.
- PACKAGING INFORMATION REFER TO TABLE.
- COMPLIANT TO RoHS DIRECTIVE 2002/95/EC AND ELV DIRECTIVE 2000/53/EC.



RECOMMENDED P.C.B. PATTERN LAYOUT



SECTION A-A

ADD PART NUMBER  
EC NO: SH2009-0651  
DRAWN: J.SONG 2009/05/18  
CHKD: J.SONG 2009/05/19  
APPR: H.WANG 2009/07/17

DESCRIPTION  
REV

QUALITY SYMBOLS	GENERAL TOLERANCES (UNLESS SPECIFIED)	
	mm	INCH
▽=0	4 PLACES ± ---	± ---
▽=0	3 PLACES ± ---	± ---
	2 PLACES ± 0.25	± ---
	1 PLACE ± 0.25	± ---
	ANGULAR ± 3°	

DRAFT WHERE APPLICABLE  
MUST REMAIN  
WITHIN DIMENSIONS

DIMENSION STYLE		SCALE	DESIGN UNITS	THIRD ANGLE PROJECTION
MM ONLY		8:1	METRIC	☉
DRAWN BY	DATE	TITLE		
LXWANG	2004/11/29	USB SERIES MINI-B REC. ASS'Y SMT TYPE (LEAD FREE)		
CHECKED BY	DATE	MOLEX INCORPORATED		
HARVEY	2004/11/29	SD-67503-010		
APPROVED BY	DATE	SHEET NO.		
YTYAP	2004/11/29	1 OF 1		

MATERIAL NO. SEE TABLE  
DOCUMENT NO. SD-67503-010

9 8 7 6 5 4 3 2 1