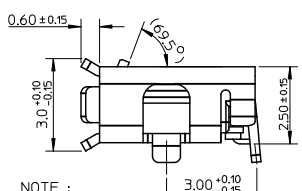
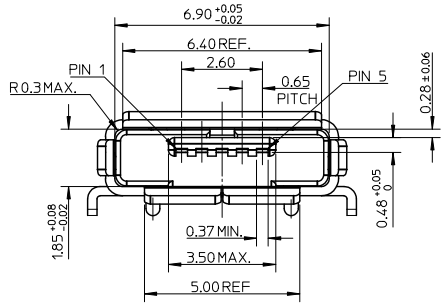
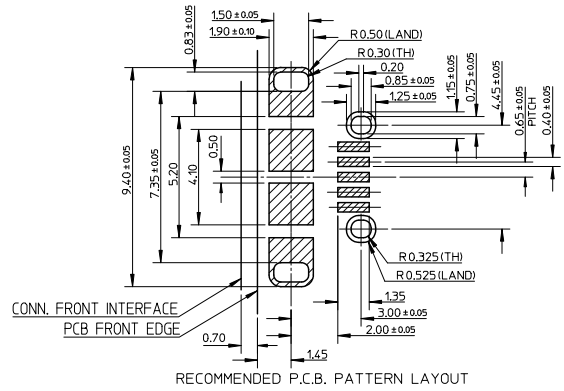
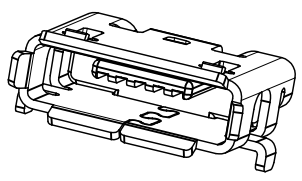
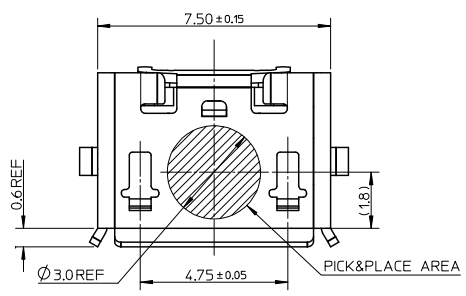
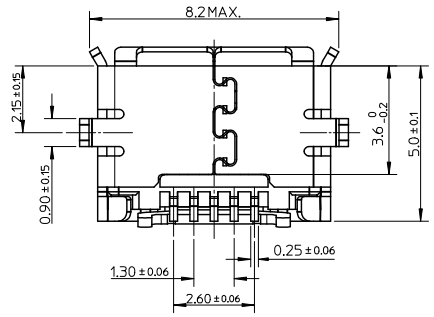


10 9 8 7 6 5 4 3 2 1



NOTE :

- MATERIAL :
HOUSING : LCP, BLACK, UL94V-0
TERMINAL : COPPER ALLOY THICKNESS = 0.15 MM
SHIELD CASE : STAINLESS STEEL THICKNESS = 0.30 MM
- PLATING :
TERMINAL: CONTACT AREA : GOLD FLASH (0.11 MICRON MIN.) OVER MINIMUM 0.75 MICRON Pd/Ni.
SOLDER TAIL AREA : GOLD FLASH (0.05 MICRON MIN).
UNDER PLATING : NICKEL 2.0 MICROMN MINIMUM.
SHIELD : MATTE TIN 1.27 MICRON MINIMUM.
UNDER PLATING : NICKEL 1.27 MICRON MINIMUM.
- TAIL COPLANARITY 0.08 MM MAXIMUM.
- PRODUCT SPEC. : PS-47589-001, PACKING SEPC. : PK-47589-001
- COMPLIANT TO RoHS DIRECTIVE 2002/95/EC AND ELV DIRECTIVE 2000/53/EC.



REVISE EC NO: SH2009-0126 DRAWN: WJANG 2008/08/28 CHKD: XJSONG 2008/09/05 APPR: HWANG 2008/09/22	DESCRIPTION	QUALITY SYMBOLS	GENERAL TOLERANCES (UNLESS SPECIFIED)		DIMENSION STYLE		SCALE	DESIGN UNITS	THIRD ANGLE PROJECTION	
		▽=0	mm	INCH	MM ONLY		1:1	METRIC		
		▽=0	4 PLACES ± --- ± ---	3 PLACES ± --- ± ---	DRAWN BY	DATE	TITLE			
			2 PLACES ± 0.15 ± ---	1 PLACE ± 0.25 ± ---	CHECKED BY	DATE	MICRO USB AB REC. BOTTOM MOUNT ASS'Y			
		ANGULAR ± 3°	DRAFT WHERE APPLICABLE MUST REMAIN WITHIN DIMENSIONS		APPROVED BY		DATE	MOLEX INCORPORATED		
					MATERIAL NO.		DOCUMENT NO.	SHEET NO.		
					47589-0001		SD-47589-001	1 OF 1		
					THIS DRAWING CONTAINS INFORMATION THAT IS PROPRIETARY TO MOLEX INCORPORATED AND SHOULD NOT BE USED WITHOUT WRITTEN PERMISSION					