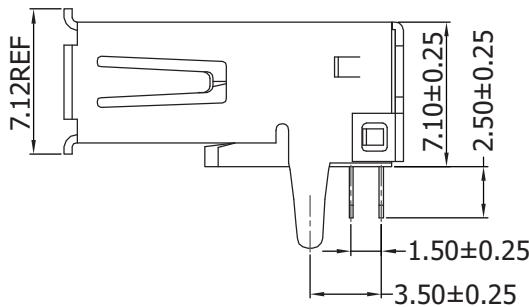
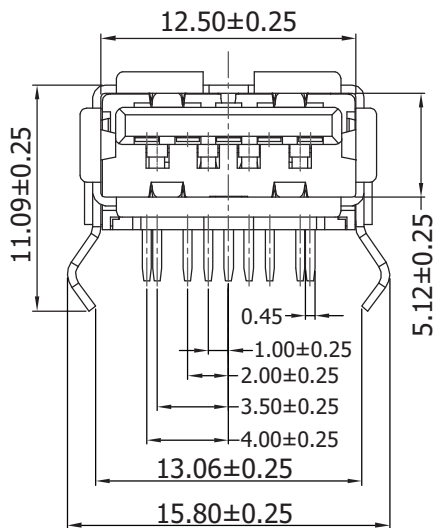


REFERENCE P.C.B. LAYOUT



**Material:**

- Housing: PBT, Color: Blue
- Contact 4P: Brass
- Contact 5P: Phosphor Bronze
- Shell: SPCC
- Contact Plating: Gold Flash and Tin over Nickelplating
- Shell Plating: Nickel

**Electrical:**

- Current Rating: 1Amp @ 30AC Min
- Withstanding Voltage: 500V AC for 1 Min.
- Insulation Resistance: 1,000MΩ Min.
- Contact Resistance: 30MΩ Max
- Mating Force: 3.57kgf Max
- Unmating Force: 1.02kgf Min

Unit: MM±0.25MM

Ⓜ = Assmann logo



ITEM NO.

**AU-Y1005-3-R**

TITLE

USB Connector 3.0, 9Pin A/F, 15μ", DIP 90°

**ASSMANN**  
Electronics, Inc.

1840 W. Drake Drive, Suite 101 • Tempe, AZ 85283  
Toll Free: 1-877-277-6266 • Email: info@usa-assmann.com

THIS DRAWING IS UNPUBLISHED  
©Copyright 2010 by Assmann Electronic Components  
All International Rights Reserved