

November, 2008

Attn.: _____

HIROSE ELECTRIC CO., LTD.

5-23, OSAKI 5-CHOME, SHINAGAWA-KU, TOKYO, JAPAN

Notice of Change to ZX Series Package Quantities

Hirose Electric will be changing the package quantities of the reel for the ZX Series for the reason mentioned below.

Thank you in advance for your cooperation.

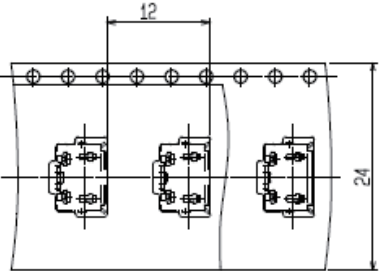
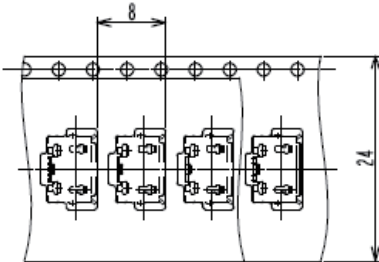
1. Affected Products

ZX62-B-5PA

ZX62-AB-5PA

2. Details of the Change

The quantities will be changed from 2000 to 3500 pieces per reel.

Current	After Modification
<ul style="list-style-type: none"> • Part Number ZX62-B-5PA -----> ZX62-AB-5PA -----> • Embossed tape packaging pitch: 12 mm -----> 	<ul style="list-style-type: none"> ZX62-B-5PA(11) ZX62-AB-5PA(11) 8 mm 

※ When automatically mounting the changed product, it will be necessary to change the setting of the embossed tape feeding pitch to 8 mm.

3. Reason for the Change

The change is being implemented to improve productivity.

4. Differences Accompanying the Change

【Performance】

There will be no difference in performance or quality.

5. Schedule for Implementing the Change

Orders for the current products will be accepted until Tuesday, March 31, 2009. We regret any inconvenience that this may cause.

We kindly ask that orders be changed to 3,500 pieces per reel by the time of the scheduled change.

If you would like clarification concerning any of the points, please contact your Hirose Electric account representative.

Acknowledgment

November, 2008

(Customer→Hirose Electric business representative)

Notice of Change to ZX Series Package Quantities

We acknowledge the aforementioned matter.

●Customer's name: _____

●Acknowledgment stamp (or signature): _____

(Cut on this line)

Document Receipt

November, 2008

(Customer→Hirose Electric business representative)

Notice of Change to ZX Series Package Quantities

We have received the aforementioned document.

●Customer's name: _____

●Received stamp (or signature): _____