

4

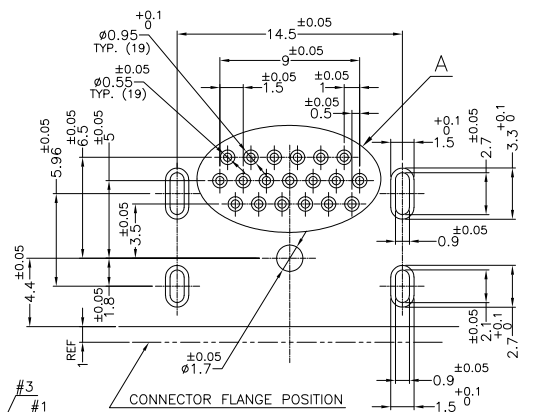
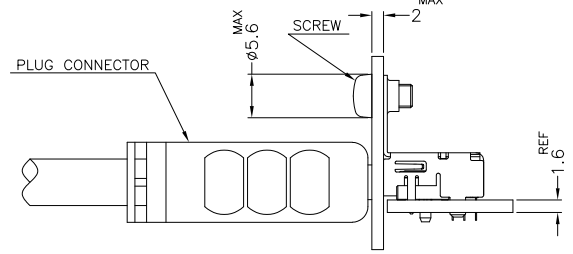
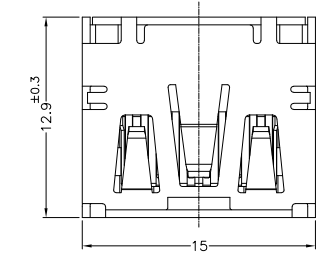
3

2

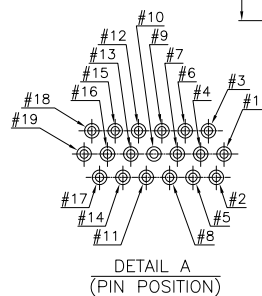
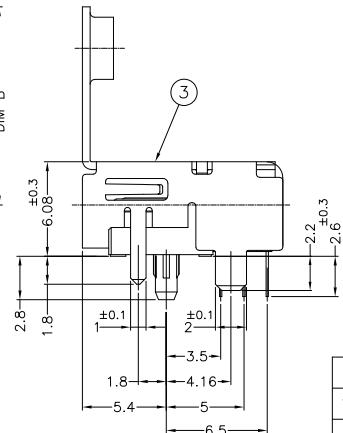
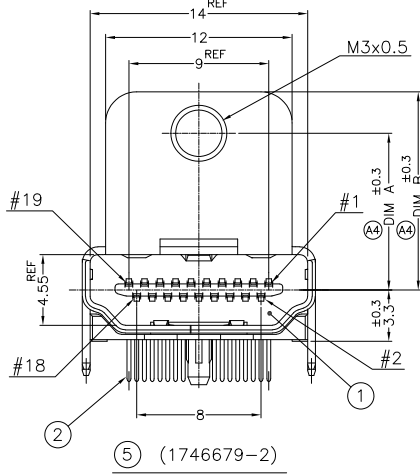
1

THIS DRAWING IS UNPUBLISHED. RELEASED FOR PUBLICATION  
 © COPYRIGHT - By - ALL RIGHTS RESERVED.

| LOC | DIST | REVISIONS                 |         |     |      |
|-----|------|---------------------------|---------|-----|------|
| P   | LTR  | DESCRIPTION               | DATE    | DWN | APVD |
| B1  |      | REVISED PER ECO-11-005030 | 11MAR11 | RK  | HMR  |



MATING CONDITION (REFERENCE)  
 (SCALE 2:1)



P.C.B LAYOUT  
 SHOWN AS CONNECTOR MOUNTING SIDE  
 TOLERANCE: NON-CUMULATIVE  
 (REFERENCE)

|   |                                       |      |            |      |
|---|---------------------------------------|------|------------|------|
| CONTACT AREA: Au 0.3µm MIN.<br>SOLDERING AREA: TIN, ALL OVER UNDER Ni | COPPER ALLOY                          | 19   | CONTACT    | ③    |
| Tin (MATTE), ALL OVER UNDER Ni  | COPPER ALLOY                          | 1    | SHELL      | ②    |
|   | THERMOPLASTIC<br>UL94V-0, BLACK COLOR | 1    | HOUSING    | ①    |
| FINISH  | MATERIAL                              | QTY. | DISCRPTION | ITEM |

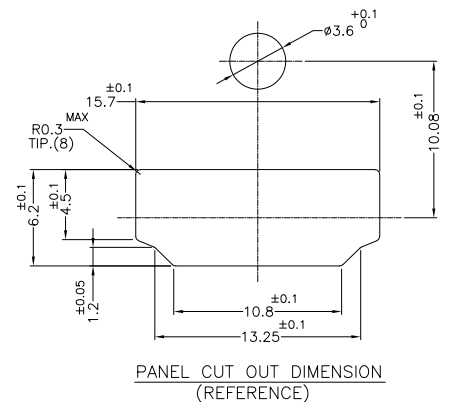
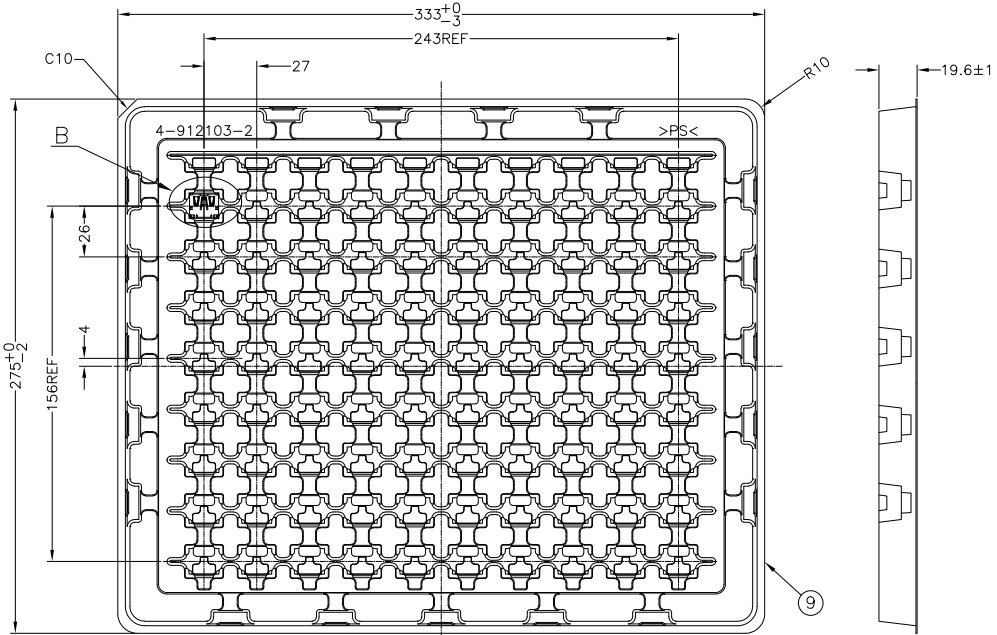
| P/N       | ⑥ | DIM B | DIM A |
|-----------|---|-------|-------|
| 1746679-2 |   | 12.75 | 10.08 |
| 1746679-1 |   | 11.97 | 9     |

THIS DRAWING IS A CONTROLLED DOCUMENT.

|                |  |   |  |
|----------------|--|---|--|
| DIMENSIONS: MM | TOLERANCES UNLESS OTHERWISE SPECIFIED: | DWN Y. HIRATA 15SEP2004                 | <br>TE Connectivity<br>NAME: HDMI 19 POS RECEPTACLE ASSY DIP TYPE -LEAD FREE-<br>SIZE: A3 CAGE CODE: 00779 DRAWING NO: 1746679<br>WEIGHT: CUSTOMER DRAWING |
|                |  | CHK T. KIMURA 15SEP2004                 |  |
|                |  | APVD K. IKEGAMI 15SEP2004               |  |
|                |  | PRODUCT SPEC 108-78180 APPLICATION SPEC |  |
| MATERIAL       | FINISH                                 | WEIGHT                                  | RESTRICTED TO  |
|                |  |   | SCALE: 4:1 SHEET: 1 OF 2 REV: B1   |

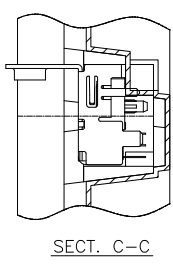
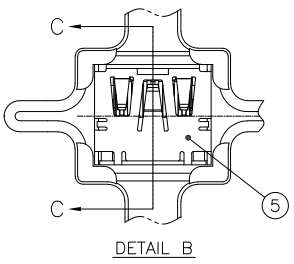
THIS DRAWING IS UNPUBLISHED. RELEASED FOR PUBLICATION  
 © COPYRIGHT - By - ALL RIGHTS RESERVED.

| LOC | DIST | REVISIONS   |      |     |      |  |
|-----|------|-------------|------|-----|------|--|
| P   | LTR  | DESCRIPTION | DATE | DWN | APVD |  |
| -   | -    | SEE SHEET 1 | -    | -   | -    |  |



PART NUMBER: 1746679-1, -2; AS SHOWN

| 1746679-2 | SEE SHEET 1 | 80   | CONNECTOR   | ⑤    |
|-----------|-------------|------|-------------|------|
| 1746679-1 | SEE SHEET 1 | 80   | CONNECTOR   | ⑤    |
|           | PS          | 1    | TRAY        | ④    |
| PART NO   | MATERIAL    | QTY. | DISCRIPTION | ITEM |



|  |      |                  |   |
|--|------|------------------|---|
| THIS DRAWING IS A CONTROLLED DOCUMENT. |      | DWN              | - |
| DIMENSIONS: MM                         |      | CHK              | - |
| TOLERANCES UNLESS OTHERWISE SPECIFIED: |      | APVD             | - |
| 0-PLC                                  | ±0.2 | NAME             |   |
| 1-PLC                                  | ±0.2 | PRODUCT SPEC     |   |
| 2-PLC                                  | ±0.2 | APPLICATION SPEC |   |
| 3-PLC                                  | ±0.2 | WEIGHT           |   |
| 4-PLC                                  | ±0.2 | FINISH           |   |
| ANGLES                                 | ±    | MATERIAL         |   |

**TE** TE Connectivity

HDMI 19 POS  
 RECEPTACLE ASSY DIP TYPE  
 -LEAD FREE-

|      |           |            |               |
|------|-----------|------------|---------------|
| SIZE | CAGE CODE | DRAWING NO | RESTRICTED TO |
| A3   | 00779     | 1746679    | -             |

CUSTOMER DRAWING SCALE NTS SHEET 2 of 2 REV B1