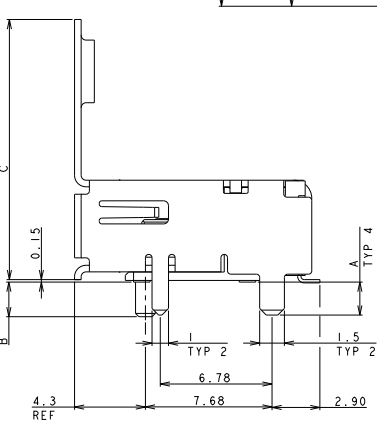
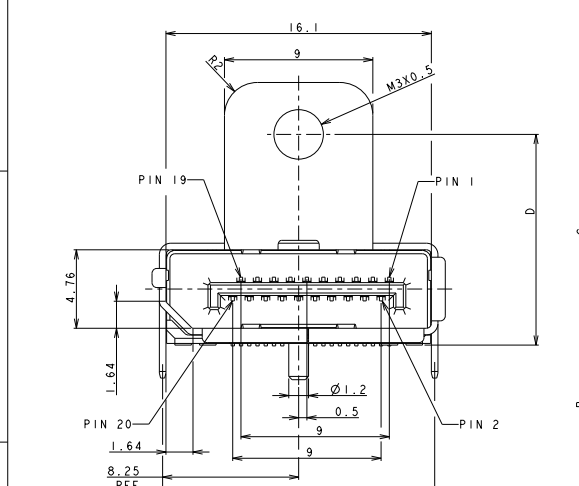
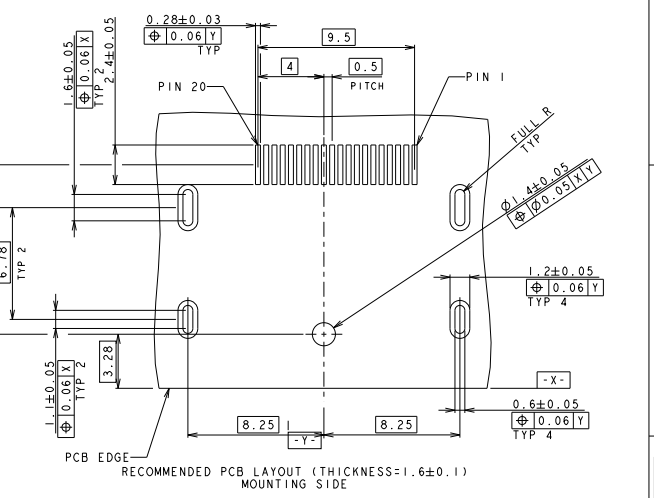
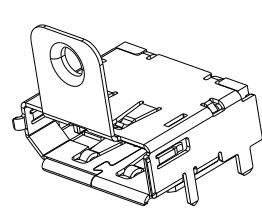
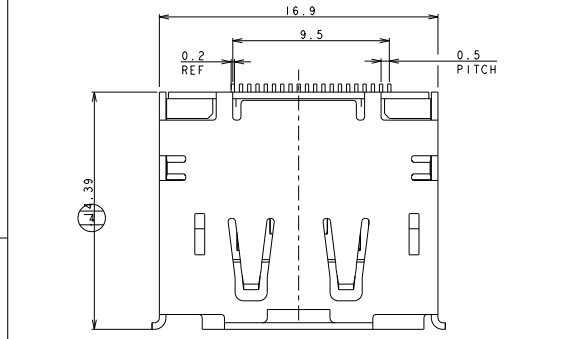


REV	DATE	BY	CHKD	APPROV
A	15FEB08	Y.H.	T.R.	
B	23MAY10	V.P.	H.K.	
C	12JAN11	U.C.	H.K.	



PROPOSED DESIGN  
 PRODUCT NUMBER WILL BE  
 ASSIGNED WHEN RELEASED  
 DESIGN IS SUBJECT TO  
 CHANGE WITHOUT NOTICE

1. MATERIAL:  
 HOUSING: HIGH TEMPERATURE THERMAL PLASTIC, BLACK, UL94V-0.  
 CONTACT: COPPER ALLOY.  
 SHELL: COPPER ALLOY.
2. FINISH:  
 CONTACT: CONTACT AREA: 0.76 MINIMUM MICRON GOLD PLATING OVER 1.27 MINIMUM MICRON NICKEL PLATING ALL  
 SOLDER TAIL AREA: 2.54 MINIMUM MICRON TIN PLATING.  
 SHELL: NICKEL PLATING SOLDERABILITY IS WORSE THAN MATTE TIN PLATING IN SOME CONDITION, IN SUCH CASE, PLEASE SELECT MATTE TIN
3. THIS PRODUCT IS PACKED IN TRAY.

YES	NICKEL	9.5	12.5	2.1	2	9-2040204-1
YES	NICKEL	12.78	15.78	2.1	2	5-2040204-1
NO	MATTE TIN	12.78	15.78	1.9	1.8	1-2040204-5
NO	NICKEL	12.78	15.78	1.9	1.8	1-2040204-1
NO	MATTE TIN	12.78	15.78	2.1	2	2040204-5
NO	NICKEL	12.78	15.78	2.1	2	2040204-1

DIMENSIONS: mm TOLERANCE IS UNLESS OTHERWISE SPECIFIED: 0 P/C ±0.3 1 P/C ±0.3 2 P/C ±0.3 3 P/C ±0.3 4 P/C ±0.3 ANGLES °	DIM A DIM B DIM C DIM D	DIM A DIM B DIM C DIM D	DIM A DIM B DIM C DIM D	PART NUMBER
RECEPTACLE ASSEMBLY DISPLAYPORT RA SMT STD TH-LEG WITH FLANGE				
CUSTOMER DRAWING			SCALE 4:1	SHEET 1 OF 2

4

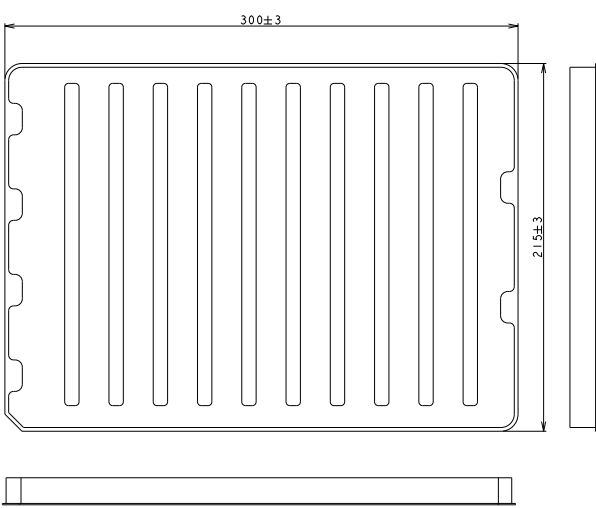
3

2

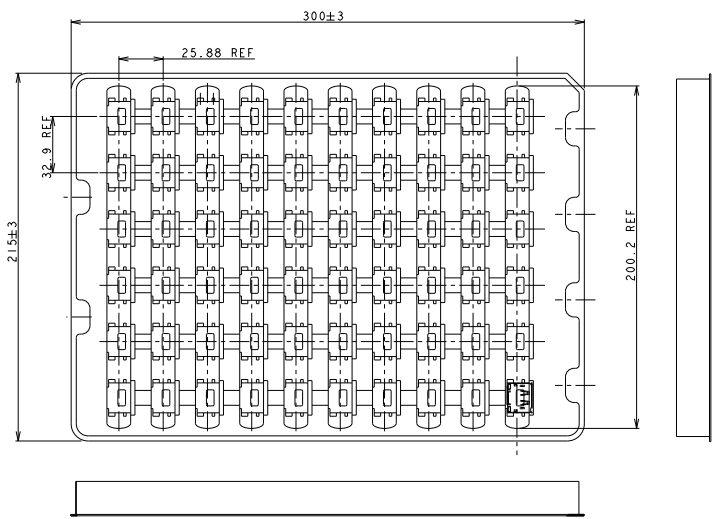
1

THIS DRAWING IS UNPUBLISHED. RELEASED FOR PUBLICATION 2008  
 © COPYRIGHT 2008 BY TYCO ELECTRONICS CORPORATION. ALL RIGHTS RESERVED.

LOC	DIST	REVISIONS			
P	LYR	DESCRIPTION	DATE	BY	APVD
-	-	SEE SHEET 1	-	-	-



UPPER TARY



LOWER TARY

PACKAGE TARY

DIMENSIONS: mm 		TOLERANCE CLASS GENERATED SPECIFIC		DWG CHK APVD PRODUCT SPEC APPLICATION SPEC WEIGHT CUSTOMER DRAWING	Tyco Electronics Tyco Electronics Corporation Kawasaki, Japan NAME <b>RECEPTACLE ASSEMBLY          DISPLAYPORT RA SMT STD TH-LEG          WITH FLANGE</b> SIZE CAGE CODE DRAWING NO <b>A200779 C-2040204</b> SCALE NTS SHEET 2 OF 2 REV C	RESTRICTED
-----------------------	--	---------------------------------------	--	--	--	------------