

4

3

2

1

THIS DRAWING IS UNPUBLISHED. RELEASED FOR PUBLICATION SEP. 2005.  
 © COPYRIGHT 2005 BY TYCO ELECTRONICS CORPORATION. ALL RIGHTS RESERVED.

LOC	DIST	REVISIONS		
J		REVISED	DATE	DWN
			17MAR08	A.Z. S.Y.

NOTICE: THIS COMMUNICATION INCLUDES TYCO ELECTRONICS CONFIDENTIAL OR PROPRIETARY INFORMATION THAT MAY ALSO BE LEGALLY PRIVILEGED.

AVAILABLE	WITHOUT P/N	Au 0.1um MIN OVER PdNi 0.2um MIN	-	-	0.5	10.55	-	-	1.1	1.1	WITHOUT BOSS	EMBOSS PACKING (SEE SHEET 2)	WITHOUT FLANGE TYPE (SEE SHEET 6)	9-1747981-2
AVAILABLE	WITH P/N	Au 0.1um MIN OVER PdNi 0.2um MIN	-	M3 x 0.5	1.0	10.55	12.75	10.08	2.2	1.8	WITH BOSS	SOFT TRAY PACKING (SEE SHEET 4)	WITH FLANGE TYPE (SEE SHEET 7)	9-1747981-1
AVAILABLE	WITHOUT P/N	Au 0.1um MIN OVER PdNi 0.2um MIN	-	M3 x 0.5	0.5	10.05	10.95	7.98	2.2	1.8	WITHOUT BOSS	CLEAR TRAY PACKING (SEE SHEET 4)	WITH FLANGE TYPE (SEE SHEET 7)	8-1747981-1
AVAILABLE	WITHOUT P/N	Au 0.1um MIN OVER PdNi 0.2um MIN	-	M3 x 0.5	1.0	10.55	12.75	10.08	2.2	1.8	WITH BOSS	SOFT TRAY PACKING (SEE SHEET 4)	WITH FLANGE TYPE (SEE SHEET 7)	3-1747981-1
NOT AVAILABLE	WITHOUT P/N	Au 0.1um MIN OVER PdNi 0.2um MIN	16.3	#4-40 UNC	0.5	10.55	12.75	10.08	2.2	1.8	WITH BOSS	EMBOSS PACKING (SEE SHEET 3)	WITH FLANGE TYPE (SEE SHEET 7)	2-1747981-4
AVAILABLE	WITHOUT P/N	Au 0.76um MIN	16.3	M3 x 0.5	1.0	10.55	12.75	10.08	2.2	1.8	WITHOUT BOSS	EMBOSS PACKING (SEE SHEET 3)	WITH FLANGE TYPE (SEE SHEET 7)	2-1747981-3
NOT AVAILABLE	WITHOUT P/N	Au 0.1um MIN OVER PdNi 0.2um MIN	-	#4-40 UNC	0.5	10.05	12.75	10.08	2.2	1.8	WITHOUT BOSS	HARDTRAY PACKING (-)	WITH FLANGE TYPE (SEE SHEET 7)	2-1747981-2
AVAILABLE	WITHOUT P/N	Au 0.76um MIN	-	M3 x 0.5	1.0	10.55	12.75	10.08	2.2	1.8	WITHOUT BOSS	SOFT TRAY PACKING (SEE SHEET 4)	WITH FLANGE TYPE (SEE SHEET 7)	2-1747981-1
AVAILABLE	WITHOUT P/N	Au 0.1um MIN OVER PdNi 0.2um MIN	-	M3 x 0.5	1.0	10.55	12.75	10.08	1.5	1.5	WITHOUT BOSS	SOFT TRAY PACKING (SEE SHEET 4)	WITH FLANGE TYPE (SEE SHEET 7)	1-1747981-8
AVAILABLE	WITHOUT P/N	Au 0.1um MIN OVER PdNi 0.2um MIN	16.3	M3 x 0.5	1.0	10.55	12.75	10.08	2.2	1.8	WITHOUT BOSS	EMBOSS PACKING (SEE SHEET 3)	WITH FLANGE TYPE (SEE SHEET 7)	1-1747981-7
AVAILABLE	WITHOUT P/N	Au 0.1um MIN OVER PdNi 0.2um MIN	-	M3 x 0.5	0.5	10.05	10.95	7.98	2.2	1.8	WITHOUT BOSS	SOFT TRAY PACKING (SEE SHEET 5)	WITH FLANGE TYPE (SEE SHEET 7)	1-1747981-6
AVAILABLE	WITHOUT P/N	Au 0.1um MIN OVER PdNi 0.2um MIN	14.3	M3 x 0.5	0.5	10.05	10.95	7.98	1.5	1.5	WITHOUT BOSS	EMBOSS PACKING (SEE SHEET 3)	WITH FLANGE TYPE (SEE SHEET 7)	1-1747981-5
AVAILABLE	WITHOUT P/N	Au 0.1um MIN OVER PdNi 0.2um MIN	-	M3 x 0.5	1.0	10.55	12.75	10.08	2.2	1.8	WITHOUT BOSS	SOFT TRAY PACKING (SEE SHEET 4)	WITH FLANGE TYPE (SEE SHEET 7)	1-1747981-4
AVAILABLE	WITHOUT P/N	Au 0.1um MIN OVER PdNi 0.2um MIN	-	#4-40 UNC	0.5	10.05	12.75	10.08	2.2	1.8	WITHOUT BOSS	SOFT TRAY PACKING (SEE SHEET 4)	WITH FLANGE TYPE (SEE SHEET 7)	1-1747981-3
AVAILABLE	WITHOUT P/N	Au 0.1um MIN OVER PdNi 0.2um MIN	-	M3 x 0.5	0.5	10.05	10.95	7.98	1.5	1.5	WITHOUT BOSS	SOFT TRAY PACKING (SEE SHEET 4)	WITH FLANGE TYPE (SEE SHEET 7)	1-1747981-2
AVAILABLE	WITHOUT P/N	Au 0.1um MIN OVER PdNi 0.2um MIN	-	M3 x 0.5	0.5	10.05	10.95	7.98	2.2	1.8	WITHOUT BOSS	SOFT TRAY PACKING (SEE SHEET 4)	WITH FLANGE TYPE (SEE SHEET 7)	1-1747981-1
AVAILABLE	WITHOUT P/N	Au 0.1um MIN OVER PdNi 0.2um MIN	-	-	0.5	10.05	-	-	1.5	1.5	WITHOUT BOSS	EMBOSS PACKING (SEE SHEET 2)	WITHOUT FLANGE TYPE (SEE SHEET 6)	1747981-2
AVAILABLE	WITHOUT P/N	Au 0.1um MIN OVER PdNi 0.2um MIN	-	-	0.5	10.05	-	-	2.2	1.8	WITHOUT BOSS	EMBOSS PACKING (SEE SHEET 2)	WITHOUT FLANGE TYPE (SEE SHEET 6)	1747981-1

TOOL STATUS	PART NUMBER MARKING	CONTACT AREA PLATING SPEC	DIM H	SCREW SIZE DIM G	DIM F	DIM E	DIM D	DIM C	DIM B	DIM A	BOSS	PACKING	CONNECTOR TYPE	PART NUMBER
-------------	---------------------	---------------------------	-------	------------------	-------	-------	-------	-------	-------	-------	------	---------	----------------	-------------

1 CONTACT COPLANALITY IS 0.1 MAXIMUM. REFER TO THE TABLE FOR BOSS.  
 THIS DIMENSION MEANS CENTER OF THE POCKET. SCREW SIZE  
 FINISH PART NUMBER MAKING  
 CONTACT: CONTACT AREA J: SEE TABLE  
 2um MIN Sn PLATING ON SOLDERING AREA  
 2um MIN Ni UNDER PLATING ALL OVER  
 SHELL: 1um MIN Sn PLATING ALL OVER  
 1um MIN Ni UNDER PLATING ALL OVER

THIS DRAWING IS A CONTROLLED DOCUMENT.

DWN	Y. HIRATA	15SEP2005
CHK	T. KIMURA	15SEP2005
APVD	K. IKEGAMI	15SEP2005
NAME	Tyco Electronics Corporation Kawasaki, Japan	
PRODUCT SPEC	HDMI 19 POS RECEPTACLE ASSY SMT TYPE -LEAD FREE-	
APPLICATION SPEC	108-78180-1	
WEIGHT	SIZE	CAGE CODE
	A3	00779
DRAWING NO	1747981	
CUSTOMER DRAWING	SCALE	1 of 8
	NTS	REV F2

4

3

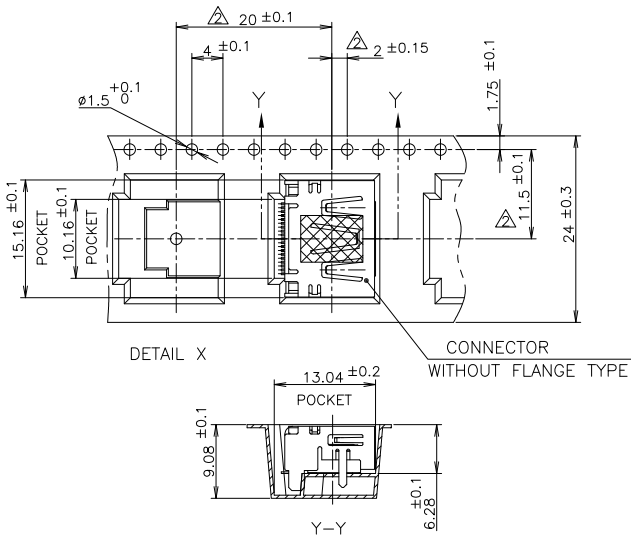
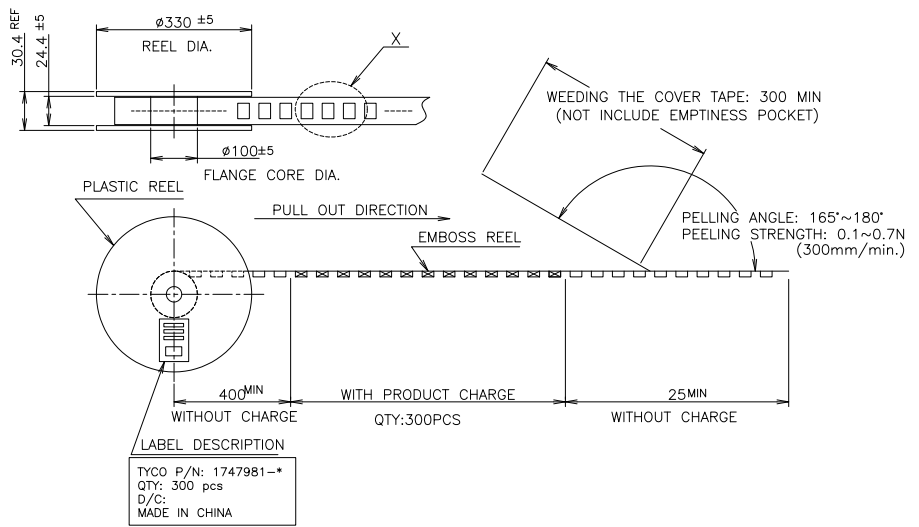
2

1

THIS DRAWING IS UNPUBLISHED. RELEASED FOR PUBLICATION SEP. 2005.  
 © COPYRIGHT 2005 BY TYCO ELECTRONICS CORPORATION. ALL RIGHTS RESERVED.

LOC		DIST		REVISIONS			
P	LTR	DESCRIPTION		DATE	DWN	APVD	
		SEE SHEET 1					

NOTICE: THIS COMMUNICATION INCLUDES TYCO ELECTRONICS CONFIDENTIAL OR PROPRIETARY INFORMATION THAT MAY ALSO BE LEGALLY PRIVILEGED.



300	WITHOUT FLANGE TYPE	9-1747981-2
300	WITHOUT FLANGE TYPE	1747981-2
300	WITHOUT FLANGE TYPE	1747981-1
QTY	CONNECTOR TYPE	PART NUMBER

THIS DRAWING IS A CONTROLLED DOCUMENT.

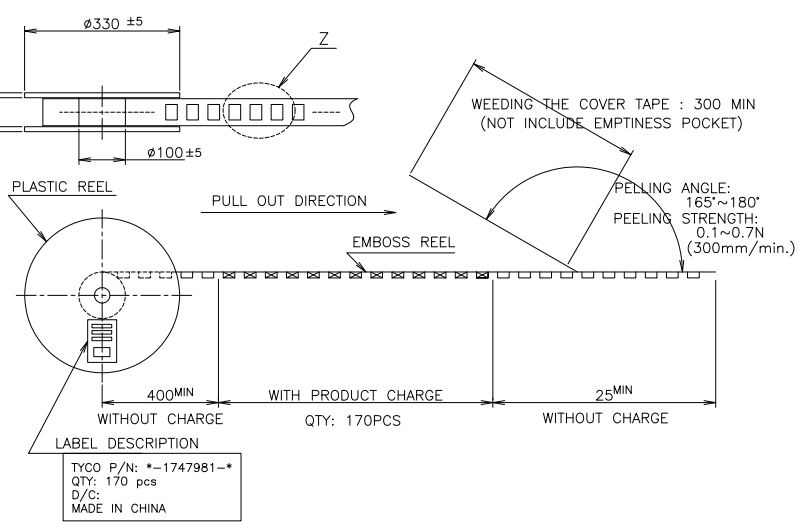
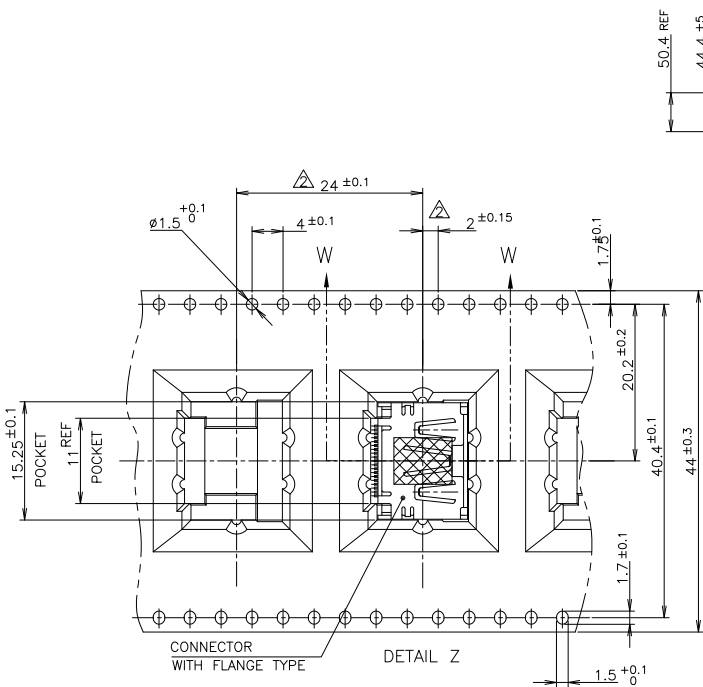
DIMENSIONS: 單位: 毫米 mm	TOLERANCES UNLESS OTHERWISE SPECIFIED: 公差	0 PLC ± 0.2	1 PLC ± 0.2	2 PLC ± 0.2	3 PLC ± 0.2	4 PLC ± 0.2	ANGLES ±	FINISH 仕上	MATERIAL 材料
-----------------------------	--	-------------	-------------	-------------	-------------	-------------	----------	--------------	----------------

DWN	CHK	APVD	Tyco Electronics Tyco Electronics Corporation Kawasaki, Japan	
PRODUCT SPEC 製品規格 108-78180-1			NAME 名称 HDMI 19 POS RECEPTACLE ASSY SMT TYPE -LEAD FREE-	
SIZE	CAGE CODE	DRAWING NO 番号	RESTRICTED TO	
A3	00779	1747981	-	
CUSTOMER DRAWING			SCALE 尺度	NTS
			SHEET	2 of 8
			REV	F2

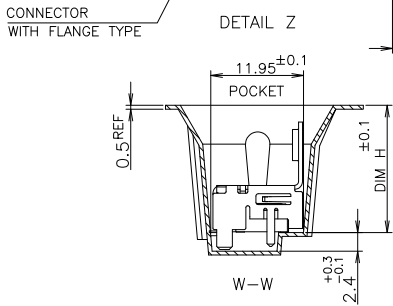
THIS DRAWING IS UNPUBLISHED. RELEASED FOR PUBLICATION SEP. 2005.  
 © COPYRIGHT 2005 BY TYCO ELECTRONICS CORPORATION. ALL RIGHTS RESERVED.

LOC		DIST		REVISIONS			
P	LTR	DESCRIPTION		DATE	DWN	APVD	
-	-	SEE SHEET 1		-	-	-	-

NOTICE: THIS COMMUNICATION INCLUDES TYCO ELECTRONICS CONFIDENTIAL OR PROPRIETARY INFORMATION THAT MAY ALSO BE LEGALLY PRIVILEGED.



PLASTIC REEL  
 PULL OUT DIRECTION  
 EMBOSS REEL  
 WITHOUT CHARGE  
 WITH PRODUCT CHARGE QTY: 170PCS  
 WITHOUT CHARGE  
 LABEL DESCRIPTION  
 TYCO P/N: \*-1747981-\*  
 QTY: 170 pcs  
 D/C: MADE IN CHINA



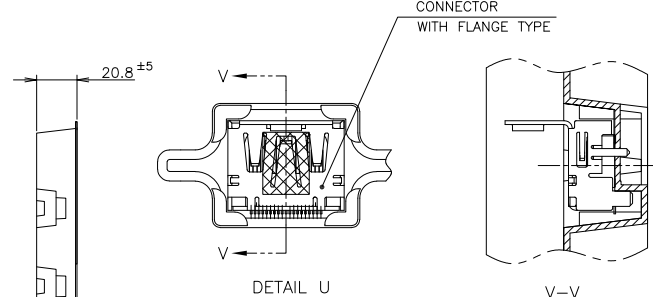
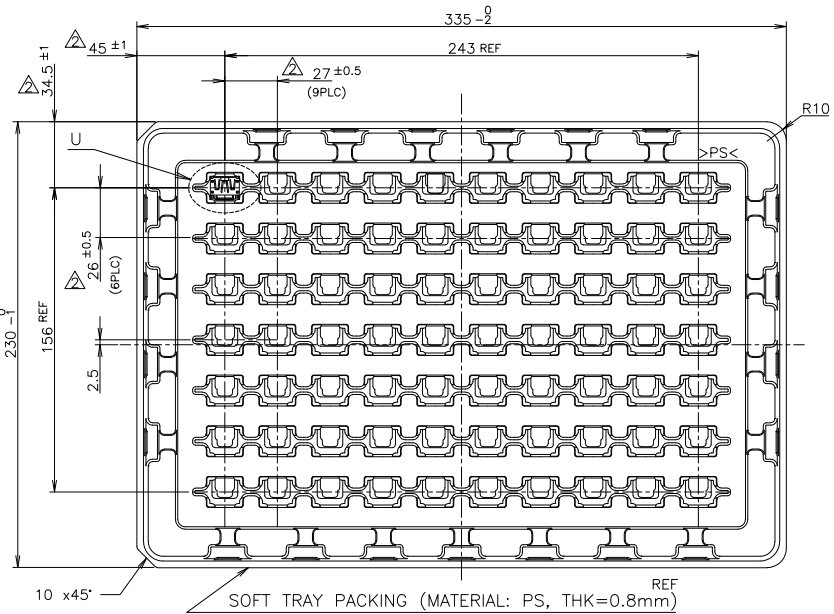
170	WITH FLANGE TYPE	2-1747981-4
170	WITH FLANGE TYPE	2-1747981-3
170	WITH FLANGE TYPE	1-1747981-7
170	WITH FLANGE TYPE	1-1747981-5
QTY	CONNECTOR TYPE	PART NUMBER

THIS DRAWING IS A CONTROLLED DOCUMENT.  
 DIMENSIONS: 単位: 純 mm  
 TOLERANCES UNLESS OTHERWISE SPECIFIED: 公差表  
 0 PLC ±0.2  
 1 PLC ±0.2  
 2 PLC ±0.2  
 3 PLC ±0.2  
 4 PLC ±0.2  
 ANGLES ±  
 FINISH 仕上

DWN	Tyco Electronics Corporation Kawasaki, Japan			RESTRICTED TO
CHK	NAME 名称			
APVD	PRODUCT SPEC 製品規格 108-78180-1			
	APPLICATION SPEC 取付適用規格			
WEIGHT	SIZE A3	CAGE CODE 00779	DRAWING NO 1747981	
CUSTOMER DRAWING	SCALE 尺度 NTS	SHEET 3 of 8	REV F2	

THIS DRAWING IS UNPUBLISHED. RELEASED FOR PUBLICATION SEP. 2005.  
 COPYRIGHT 2005 BY TYCO ELECTRONICS CORPORATION. ALL RIGHTS RESERVED.

LOC	DIST	REVISIONS			
J		REV	DATE	DWN	APVD
		1			



70	WITH FLANGE TYPE	9-1747981-1
70	WITH FLANGE TYPE	8-1747981-1
70	WITH FLANGE TYPE	3-1747981-1
70	WITH FLANGE TYPE	2-1747981-1
70	WITH FLANGE TYPE	1-1747981-8
70	WITH FLANGE TYPE	1-1747981-4
70	WITH FLANGE TYPE	1-1747981-3
70	WITH FLANGE TYPE	1-1747981-2
70	WITH FLANGE TYPE	1-1747981-1
QTY	CONNECTOR TYPE	PART NUMBER

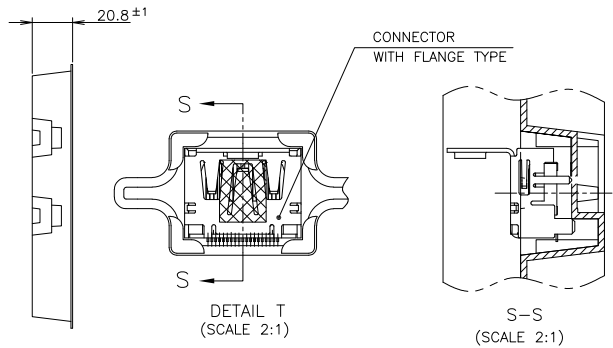
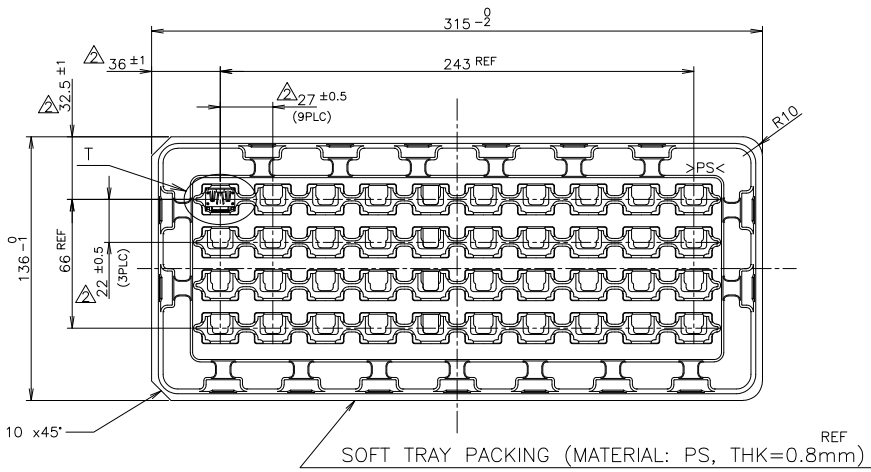
NOTICE: THIS COMMUNICATION INCLUDES TYCO ELECTRONICS CONFIDENTIAL OR PROPRIETARY INFORMATION THAT MAY ALSO BE LEGALLY PRIVILEGED.

THIS DRAWING IS A CONTROLLED DOCUMENT.

DIMENSIONS: 單位: 毫米 mm	TOLERANCES UNLESS OTHERWISE SPECIFIED: 一般公差	DWN	Tyco Electronics Corporation Kawasaki, Japan	
	0 PLC ± 0.2	CHK	NAME	HDMI 19 POS
	1 PLC ± 0.2	APVD	PRODUCT SPEC	RECEPTACLE ASSY SMT TYPE
MATERIAL	2 PLC ± 0.2 ± 0.3	PRODUCT SPEC		-LEAD FREE-
	3 PLC ± 0.2	APPLICATION SPEC		
	4 PLC ± 0.2	取付適用規格		
	ANGLES ± 0.2	WEIGHT		
FINISH 仕上		SIZE		A3
		CAGE CODE		00779
		DRAWING NO		1747981
		RESTRICTED TO		
		CUSTOMER DRAWING		
		SCALE	尺度	NTS
		SHEET	4 of 8	
		REV	F2	

THIS DRAWING IS UNPUBLISHED. RELEASED FOR PUBLICATION SEP. 2005.  
 © COPYRIGHT 2005 BY TYCO ELECTRONICS CORPORATION. ALL RIGHTS RESERVED.

LOC		DIST		REVISIONS			
P	LTR	DESCRIPTION		DATE	DWN	APVD	
J							
SEE SHEET 1							



NOTICE: THIS COMMUNICATION INCLUDES TYCO ELECTRONICS CONFIDENTIAL OR PROPRIETARY INFORMATION THAT MAY ALSO BE LEGALLY PRIVILEGED.

THIS DRAWING IS A CONTROLLED DOCUMENT.

DIMENSIONS: 單位: 毫米 mm	TOLERANCES UNLESS OTHERWISE SPECIFIED: 一般公差
0 PLC	± 0.2
1 PLC	± 0.2
2 PLC	± 0.2 ± 0.3
3 PLC	± 0.2
4 PLC	± 0.2
ANGLES	± -
MATERIAL 材料	FINISH 仕上

40	WITH FLANGE TYPE	1-1747981-6
QTY	CONNECTOR TYPE	PART NUMBER
Tyco Electronics Corporation Kawasaki, Japan		
PRODUCT SPEC 製品仕様 108-78180-1 APPLICATION SPEC 取付適用規格		
SIZE A3	CAGE CODE 00779	DRAWING NO 1747981
CUSTOMER DRAWING		RESTRICTED TO
SCALE 尺度 NTS	SHEET 5 of 8	REV F2

4

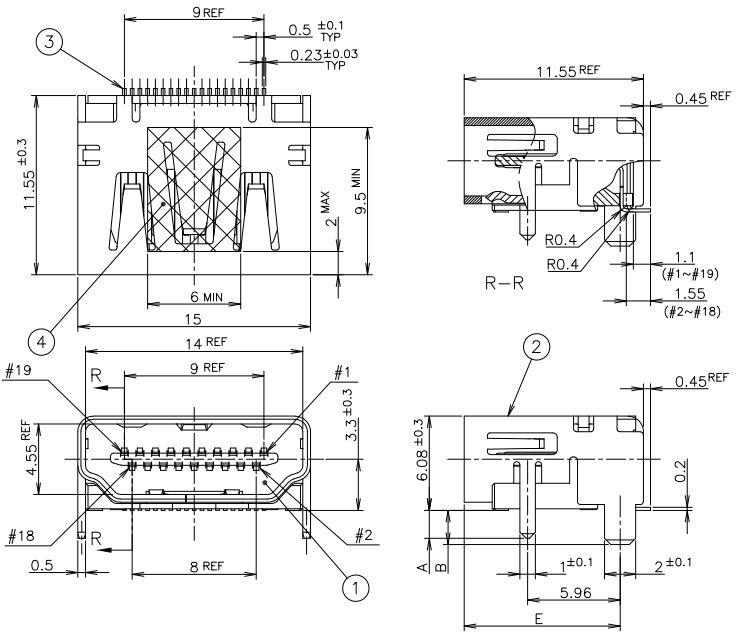
3

2

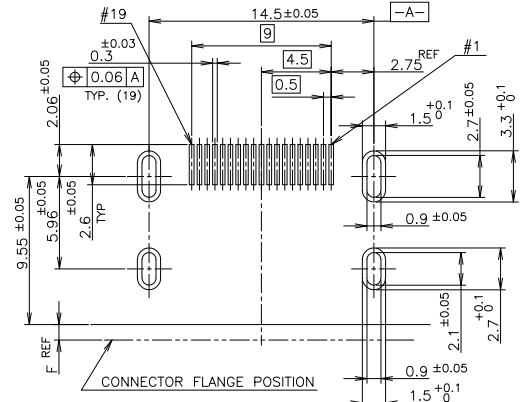
1

THIS DRAWING IS UNPUBLISHED. RELEASED FOR PUBLICATION SEP. 2005.  
 © COPYRIGHT 2005 BY TYCO ELECTRONICS CORPORATION. ALL RIGHTS RESERVED.

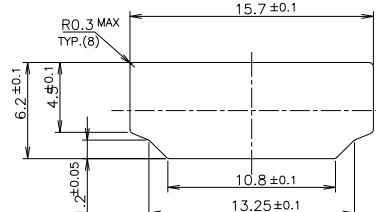
LOC	DIST	REVISIONS		
P	LTR	DESCRIPTION	DATE	DWN
-		SEE SHEET 1	-	-



CONNECTOR WITHOUT FLANGE TYPE



P.C.B LAYOUT SHOWN AS CONNECTOR MOUNTING SIDE TOLERANCE: NON-CUMULATIVE (REFERENCE)



PANEL CUT OUT DIMENSION (REFERENCE)

NOTICE: THIS COMMUNICATION INCLUDES TYCO ELECTRONICS CONFIDENTIAL OR PROPRIETARY INFORMATION THAT MAY ALSO BE LEGALLY PRIVILEGED.

FINISH	MATERIAL	QTY	DISCRPTION	ITEM
	POLYIMIDE	1	POLYIMIDE TAPE	④
	COPPER ALLOY	19	CONTACT	③
	COPPER ALLOY	1	SHELL	②
	THERMOPLASTIC UL94V-0, BLACK COLOR	1	HOUSING	①

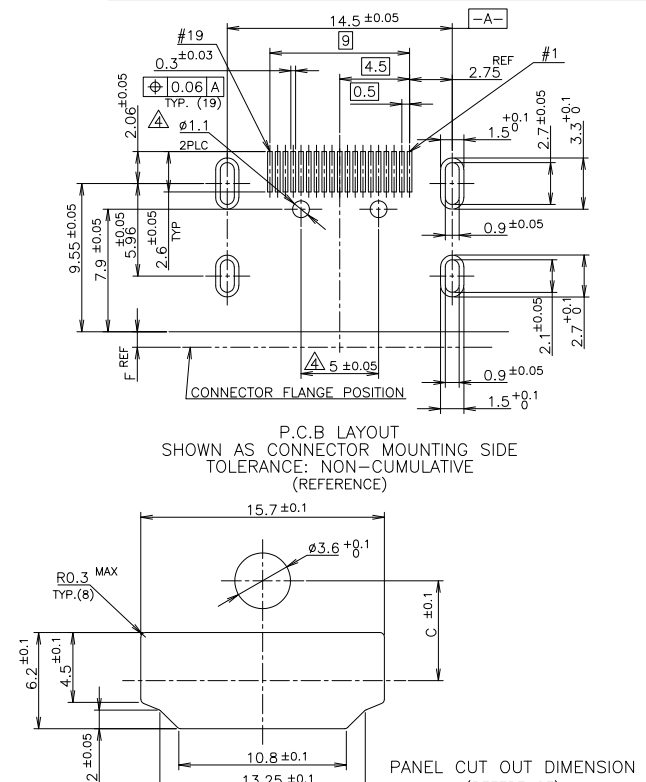
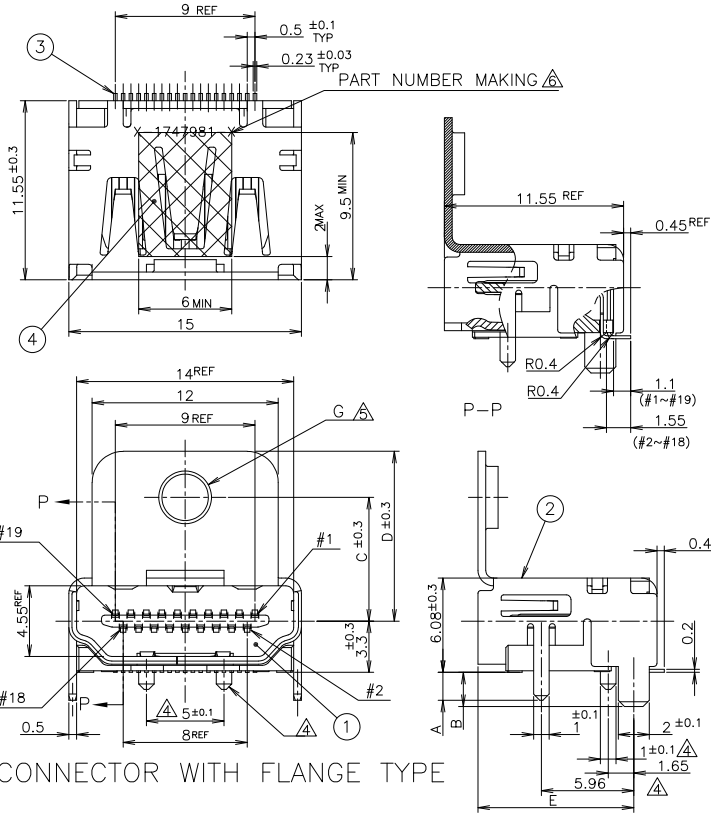
THIS DRAWING IS A CONTROLLED DOCUMENT.

DIMENSIONS: 單位: 毫米 mm	TOLERANCES UNLESS OTHERWISE SPECIFIED: 公差表	DWN	Tyco Electronics Tyco Electronics Corporation Kawasaki, Japan	
	0 PLC ±0.2 1 PLC ±0.2 2 PLC ±0.2 3 PLC ±0.2 4 PLC ±0.2 ANGLES ± FINISH 仕上	CHK	NAME 名稱	HDMI 19 POS RECEPTACLE ASSY SMT TYPE -LEAD FREE-
	MATERIAL 材料	APVD	PRODUCT SPEC 製品規格	108-78180-1
		WEIGHT	SIZE	A3
		CUSTOMER DRAWING	CAGE CODE	00779
			DRAWING NO	1747981
			RESTRICTED TO	
			SCALE	4:1
			SHEET	6 of 8
			REV	F2

AMP 1470-19 REV 31MAR2000

THIS DRAWING IS UNPUBLISHED. RELEASED FOR PUBLICATION SEP. 2005.  
 © COPYRIGHT 2005 BY TYCO ELECTRONICS CORPORATION. ALL RIGHTS RESERVED.

LOC	DIST	REVISIONS				
P	LTR	変更	DESCRIPTION	DATE	DWN	APVD
		SEE SHEET 1				



NOTICE: THIS COMMUNICATION INCLUDES TYCO ELECTRONICS CONFIDENTIAL OR PROPRIETARY INFORMATION THAT MAY ALSO BE LEGALLY PRIVILEGED.

THIS DRAWING IS A CONTROLLED DOCUMENT.

FINISH	MATERIAL	QTY	DISCRIPTION	ITEM
	POLYIMIDE	1	POLYIMIDE TAPE	④
	COPPER ALLOY	19	CONTACT	③
	COPPER ALLOY	1	SHELL	②
	THERMOPLASTIC UL94V-0, BLACK COLOR	1	HOUSING	①

DIMENSIONS: 単位: 純	TOLERANCES UNLESS OTHERWISE SPECIFIED: 公差
0 PLC	± 0.2
1 PLC	± 0.2
2 PLC	± 0.2
3 PLC	± 0.2
4 PLC	± 0.2
4 P.C.C ANGLES	± 0.2
FINISH 仕上	

CHK	Tyco Electronics		Tyco Electronics Corporation	
APVD	NAME 名称		Kawasaki, Japan	
PRODUCT SPEC 製品仕様	SIZE		HDMI 19 POS	
APPLICATION SPEC 取付適用規格	CAGE CODE		RECEPTACLE ASSY SMT TYPE	
WEIGHT	DRAWING NO 番号		-LEAD FREE-	
CUSTOMER DRAWING	A300779	④=1747981	RESTRICTED TO	
	SCALE 尺度	NTS	SHEET 7 of 8	REV F2

AMP 1470-19 REV 31MAR2000

4

3

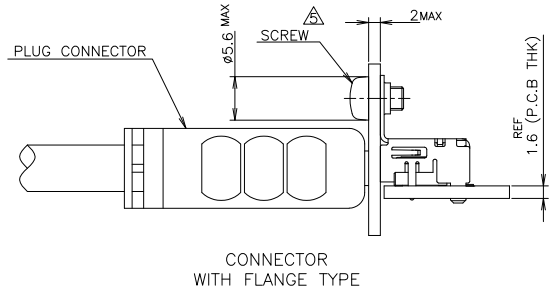
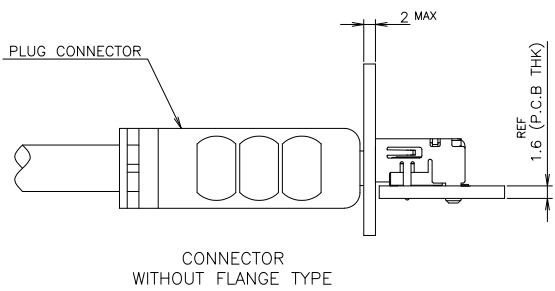
2

1

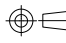
THIS DRAWING IS UNPUBLISHED. RELEASED FOR PUBLICATION SEP. 2005.  
 © COPYRIGHT 2005 BY TYCO ELECTRONICS CORPORATION. ALL RIGHTS RESERVED.

LOC		DIST		REVISIONS				
				変更		DATE	DWN	APVD
P	LTR	DESCRIPTION		DATE	DWN	APVD		
-	-	SEE SHEET 1		-	-	-		

NOTICE: THIS COMMUNICATION INCLUDES TYCO ELECTRONICS CONFIDENTIAL OR PROPRIETARY INFORMATION THAT MAY ALSO BE LEGALLY PRIVILEGED.



MATING CONDITION (REFERENCE)  
(SCALE 2:1)

THIS DRAWING IS A CONTROLLED DOCUMENT.		DWN	Tyco Electronics Corporation Kawasaki, Japan	
DIMENSIONS: 単位: 純 mm	TOLERANCES UNLESS OTHERWISE SPECIFIED: 一般公差	CHK	NAME 名称	HDMI 19 POS RECEPTACLE ASSY SMT TYPE -LEAD FREE-
	0 PLC ± 0.2	APVD	PRODUCT SPEC 製品規格	108-78180-1
	1 PLC ± 0.2	WEIGHT	APPLICATION SPEC 取付適用規格	
MATERIAL 材料	FINISH 仕上	SIZE	CAGE CODE	DRAWING NO 番号
		A3	00779	1747981
CUSTOMER DRAWING		SCALE 尺度	2:1	SHEET 8 of 8
				REV F2