

4

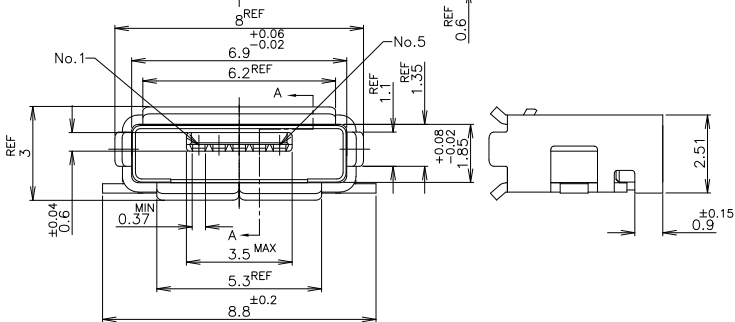
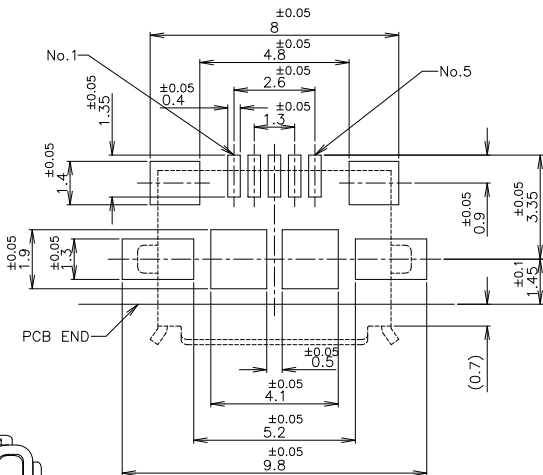
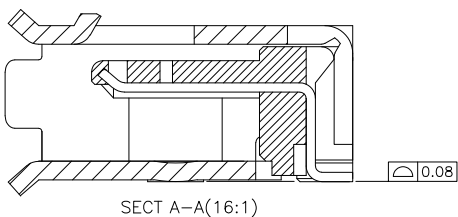
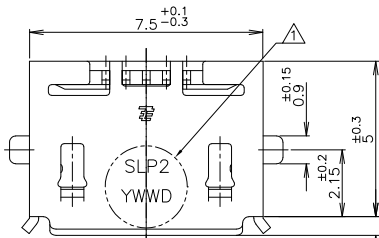
3

2

1

THIS DRAWING IS UNPUBLISHED. RELEASED FOR PUBLICATION JAN. 2007.
 © COPYRIGHT 2007 By - ALL RIGHTS RESERVED.

LOC		DIST		REVISIONS			
				DESCRIPTION	DATE	DWN	APVD
J				REVIS			
P	LTR			DESCRIPTION	DATE	DWN	APVD
	D1			REVISED PER ECO-11-005030	11MAR11	RK	HMR



- △ DATE CODE AND VERSION MARKING
- 2. OVERALL TOLERANCE: ±0.2
- 3. MATERIAL HOUSING : THERMOPLASTIC RESIN UL94V-0
CONTACT : COPPER ALLOY
SHELL : STAINLESS STEEL
- 4. FINISH CONTACT : Ni UNDER PL
Au PL AT
SHELL : Ni UNDER PL
Sn PL

THIS DRAWING IS A CONTROLLED DOCUMENT.

DIMENSIONS:	TOLERANCES UNLESS OTHERWISE SPECIFIED:
單位: 毫米	數公差
0 PLC	±
1 PLC	±
2 PLC	±
3 PLC	±
4 PLC	±
ANGLES	± 10
FINISH	仕上

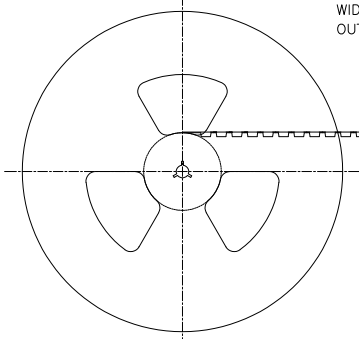
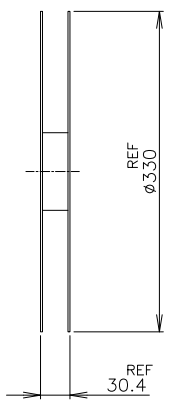
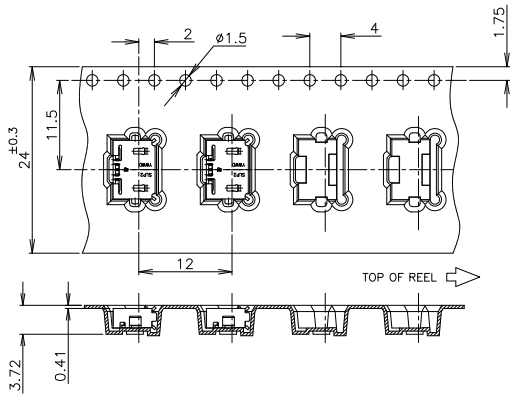
DWN	06AUG2007
J.TSUJI	
CHK	07AUG2007
T.KUSUHARA	
APVD	07AUG2007
T.KUSUHARA	
PRODUCT SPEC	
製品規格	
108-78434	
APPLICATION SPEC	
取付適用規格	
WEIGHT	
CUSTOMER DRAWING	

TE Connectivity		NAME		RESTRICTED TO
		MICRO USB RECEPTACLE STANDARD TYPE AB ASSY		
SIZE	CAGE CODE	DRAWING NO	REV	
A3	00779	1981584	D1	
SCALE		SHEET	REV	
尺度 8:1		1 of 2	D1	

1981584-1	MATERIAL
PART NUMBER	材料

THIS DRAWING IS UNPUBLISHED. RELEASED FOR PUBLICATION JAN. 2007.
 © COPYRIGHT 2007 By - ALL RIGHTS RESERVED.

LOC	DIST	REVISIONS				
J		REV	DESCRIPTION	DATE	DWN	APVD
		1	変更			
			SEE SHEET 1			



カバーテープリーダー部
 外周1巻
 WIDE COVER TAPE AROUND
 OUT PERIPHERY 1 TURN

剥離強度 0.1-1.3N MAX(300±10mm/min)
 PEELING STRENGTH
 剥離強度 165~180°
 PEELING ANGLE

引き出し方向
 TOP OF REEL

1000個/リール
 1000EA/REEL

HOLES
 8穴

空部 WITHOUT CHARGE 300mm程度 APPROX
 製品装填部 WITH PRODUCT CHARGE
 空部 WITHOUT CHARGE 600mm程度 APPROX

THIS DRAWING IS A CONTROLLED DOCUMENT.		DWN	TE Connectivity	
DIMENSIONS: 単位: 概 MM		CHK	MICRO USB RECEPTACLE STANDARD TYPE AB ASSY	
TOLERANCES UNLESS OTHERWISE SPECIFIED: 一般公差		APVD	RESTRICTED TO	
0 PLC ±		NAME	—	
1 PLC ±		PRODUCT SPEC	—	
2 PLC ±		製品規格	—	
3 PLC ±		APPLICATION SPEC	—	
4 PLC ±		取付適用規格	—	
FINISH 仕上		WEIGHT	—	
MATERIAL		SIZE	CAGE CODE	DRAWING NO
		A3	00779	1981584
CUSTOMER DRAWING		SCALE	SHEET	REV
		尺度 2:1	2 of 2	D1