

4

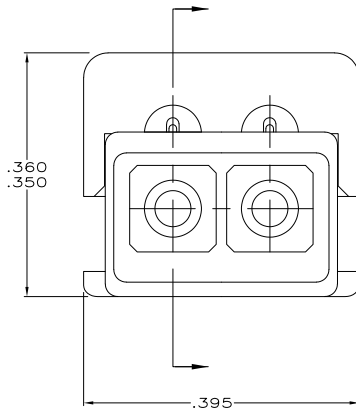
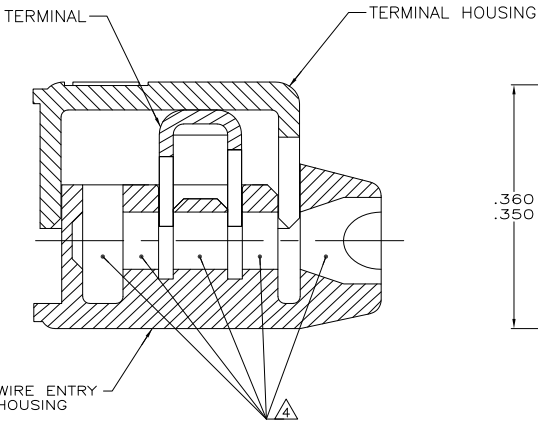
3

2

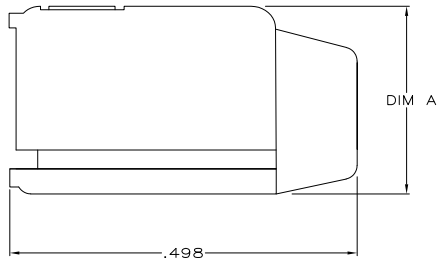
1

THIS DRAWING IS UNPUBLISHED. RELEASED FOR PUBLICATION  
 © COPYRIGHT BY TYCO ELECTRONICS CORPORATION. ALL RIGHTS RESERVED.

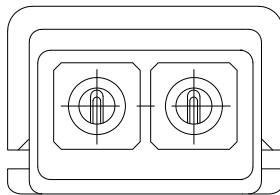
LOC	DIST	REVISIONS					
HM	00	P	LTR	DESCRIPTION	DATE	BY	APPD
		S		REV PER ECO-09-001811	30JAN09	LH	JJ
		T		REACTIVATE -1, REV ECO-09-016232	10JUL09	LH	JJ



UNCRIMPED



CRIMPED



- ALL DIMENSIONS ARE FOR REFERENCE ONLY.
- MATERIAL: HOUSING - THERMOPLASTIC (CLEAR)  
TERMINAL - TIN PLATED PHOSPHOR BRONZE
- WIRE RANGE: 19-26 AWG SOLID COPPER CONDUCTORS.
- SEALANT ADDED TO HOUSING IN THREE AREAS.
- FOR CRIMPING INFORMATION SEE APPLICATION SPECIFICATION 114-6010.
- MATERIAL: HOUSING - THERMOPLASTIC (YELLOW)  
TERMINAL - PHOS BRZ
- MATERIAL: HOUSING - THERMOPLASTIC (CLEAR)  
TERMINAL - PHOS BRZ
- MATERIAL: HOUSING - THERMOPLASTIC (YELLOW)  
TERMINAL - TIN PLATED BRASS

QUANTITY	DESCRIPTION	PART NUMBER
1000	WITH SEALANT	1-552795-8
5	WITH SEALANT	1-552795-7
<b>OBSOLETE</b>	BULK WITHOUT SEALANT	1-552795-5
100	WITHOUT SEALANT	1-552795-4
100	WITH SEALANT	1-552795-2
500	WITH SEALANT	552795-6
<b>OBSOLETE</b>	BULK WITH SEALANT	552795-5
1000	WITHOUT SEALANT	552795-4
SUPSD BY 552795-4	1000 WITHOUT SEALANT	552795-3
	1000 WITH SEALANT	552795-2
	1000 WITH SEALANT	552795-1
	PARTS PER CONTAINER	
	DESCRIPTION	PART NUMBER

THIS DRAWING IS A CONTROLLED DOCUMENT.

DIMENSIONS: INCHES	0 PLG ± .005 1 PLG ± .005 2 PLG ± .005 3 PLG ± .005 4 PLG ± .005 ANGLES ± .5°	FINISH	—
MATERIAL	—	FINISH	—

DESIGNED BY: L. HALL	20FEB04	Checked By: A. KINKA	24FEB04
APPROVED BY: A. KINKA	24FEB04	NAME: A. KINKA	24FEB04
PRODUCT SPEC: —	APPLICATION SPEC: —	SIZE: A2	CAGE CODE: 00779
WEIGHT: —	REVISION: C	DRAWING NO: 552795	RESTRICTED TO: —
CUSTOMER DRAWING	SCALE: 10:1	SHEET: 1 OF 1	REV: T

Typo Electronics Corporation  
 Harrisburg, Pa 17105-3608  
 TEL-SPLICE ASSEMBLY, 2 WIRE (INTERNATIONAL)