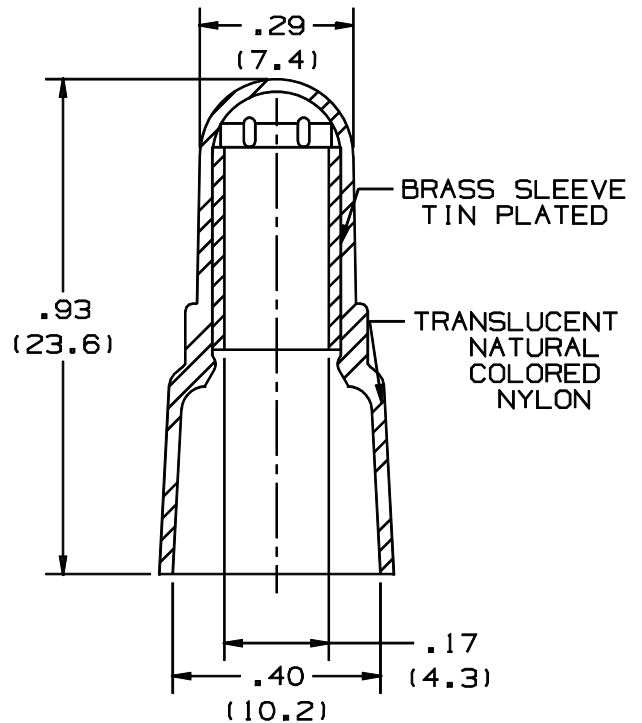


THIS COPY IS PROVIDED ON A RESTRICTED BASIS AND IS NOT TO BE USED IN ANY WAY DETRIMENTAL TO THE INTERESTS OF PANDUIT CORP.

WIRE COMBINATION CHART

WIRE SIZE	NO. OF WIRES	NUMBER OF ADDITIONAL WIRES OF ONE SIZE			
		#18	#16	#14	#12
#18	1	3-6	2-5	2-3	1
	2	2-5	2-4	1-2	1
	3	1-4	1-3	1-2	1
	4	1-3	1-3	1-2	1
	5	1-2	1-2	1	0
	6	1	1	1	0
#16	1	3-6	2-4	1-2	1
	2	1-5	1-3	1-2	1
	3	1-4	1-2	1	1
	4	1-2	1	1	0
	5	1	0	0	0
#14	1	2-6	1-4	1-2	1
	2	1-4	1-2	1	1
	3	1	0	0	0
#12	1	1-4	1-3	1-2	1



NOTES :

- UL LISTED AND CSA CERTIFIED FOR:
  - A. 600V. MAX. BLDG. WIRE, 1000V. MAX. IN SIGNS, FIXTURES AND LUMINARIES
  - B. 221°F (105°C) MAX. TEMP. RATING
  - C. WIRE COMBINATIONS OF #18AWG-#12 SOLID OR STRANDED COPPER WIRE
- PACKAGE QUANTITY:
  - STD. PKG. -C = 100
  - BULK PKG. -M = 1000
- DIMENSIONS IN BRACKETS ARE IN MILLIMETERS
- INSTALLATION TOOLS:
  - UL LISTED AND CSA CERTIFIED: CT-100, CT-250, CT-550, CT-1550, & CT-1551
- WIRE STRIP LENGTH: 1/2 <sup>1/32</sup> .0 (12.7 <sup>1/8</sup> .0)



A41343\_03

03	1/01	RM		FILESPEC WAS N41343AA_PCD_02						<p>TINLEY PARK, ILLINOIS</p> <p>NYLON INSULATED WIRE JOINT JN418-212</p>	
02	11/95	ED		REVISED NOTES, TABLE, & DIMEN.S	03808						
01	11-88	DW	LM	REDRAWN TO REVISIONS							
REV	DATE	BY	CHK	DESCRIPTION	ECN #	CUST	PM	DRAWN BY	CHK'D	SCALE	DRAWING NO.
								DAW		NONE	A41343A