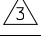
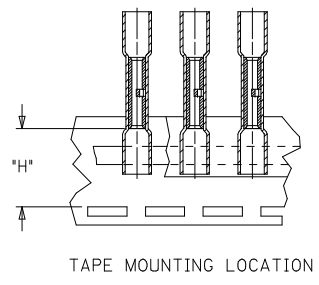
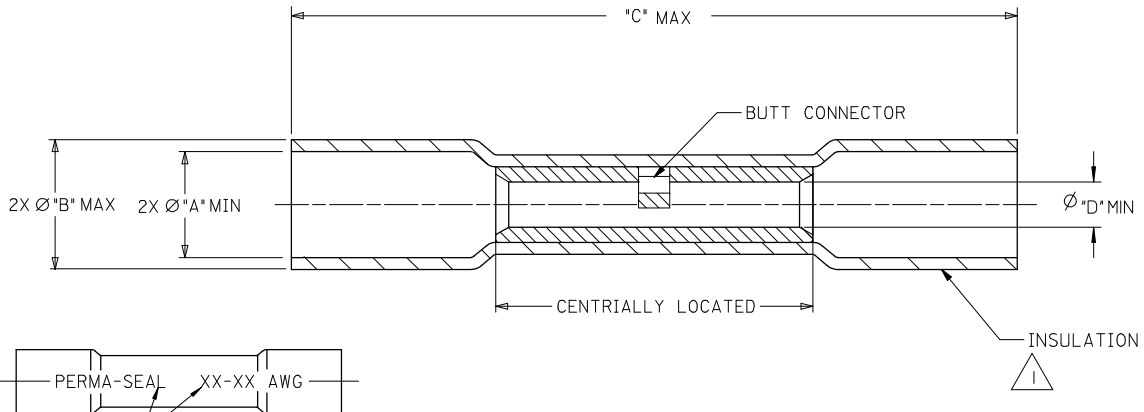


MATERIAL NUMBER	ENGINEERING NUMBER	MYLAR TAPE MATERIAL NUMBER	MYLAR TAPE ENGINEERING NUMBER	PERMA-SEAL COLOR	WIRE AWG 	"A" $\text{\textcircled{F}}$ MIN	"B" $\text{\textcircled{F}}$ Ø MAX	"C" $\text{\textcircled{F}}$ MAX	"H" $\text{\textcircled{F}}$ ±.010/0.25	"D" $\text{\textcircled{F}}$ MIN
I91640013	SAA-22-18	I91640014	SAA-22-18T	RED	22-18	.185/4.70	.280/7.11	1.55/39.4	.767/19.48	.059/1.50
I91640044	SBB-16-14	I91640045	SBB-16-14T	BLUE	16-14	.195/4.95	.308/7.82	1.55/39.4	.727/18.47	.091/2.31
I91640056	SC-12-10	I91640057	SC-12-10T	YELLOW	12-10	.275/6.99	.383/9.73 $\text{\textcircled{F}}$	1.80/45.7	.800/23.32	.139/3.53 $\text{\textcircled{F}}$
I91640079	$\text{\textcircled{F}}$ SD-354	---	---	RED	8	.300/7.62	.448/11.38	2.05/52.4	---	.165/4.19



SALES DRAWING

- NOTES,
- $\text{\textcircled{1}}$  INSULATION MATERIAL; HEAT SHRINKABLE TUBING WITH HOTMELT INNER LINER. SEE CHART FOR COLOR.
  - $\text{\textcircled{2}}$  SEAMLESS TIN PLATED COPPER TERMINAL.
  - $\text{\textcircled{3}}$  PRINTED TEXT IN BLACK APPROXIMATELY .12 (3.0) HIGH.
  - $\text{\textcircled{F}}$  4. PART IS ROHS COMPLIANT.  $\text{\textcircled{F}}$

UPDATE MAX LENGTH IEC NO: WNA2008-0006 2007/12/20 TIDRWANETHRODAHL CHKD: JMACNEIL 2007/12/29 APPR: JMACNEIL 2008/01/08 REV DESCRIPTION	QUALITY SYMBOLS	GENERAL TOLERANCES (UNLESS SPECIFIED)	DIMENSION STYLE IN/MM	SCALE 1:1	DESIGN UNITS INCH	THIRD ANGLE PROJECTION
	$\nabla=0$	4 PLACES ± --- ± ---	DRAWN BY BRE	DATE 2002/03/22	TITLE PERMA-SEAL NIAC BUTT CONNECTORS	
	$\nabla=0$	3 PLACES ± --- ± ---	CHECKED BY HEB	DATE 2002/03/22	MOLEX INCORPORATED	
		2 PLACES ± --- ± ---	APPROVED BY RWD	DATE 2002/03/22	MATERIAL NO. SEE CHART	DOCUMENT NO. SD-19164-017
		1 PLACE ± --- ± ---	DRAFT WHERE APPLICABLE MUST REMAIN WITHIN DIMENSIONS			
		ANGULAR ± ---°	THIS DRAWING CONTAINS INFORMATION THAT IS PROPRIETARY TO MOLEX INCORPORATED AND SHOULD NOT BE USED WITHOUT WRITTEN PERMISSION			