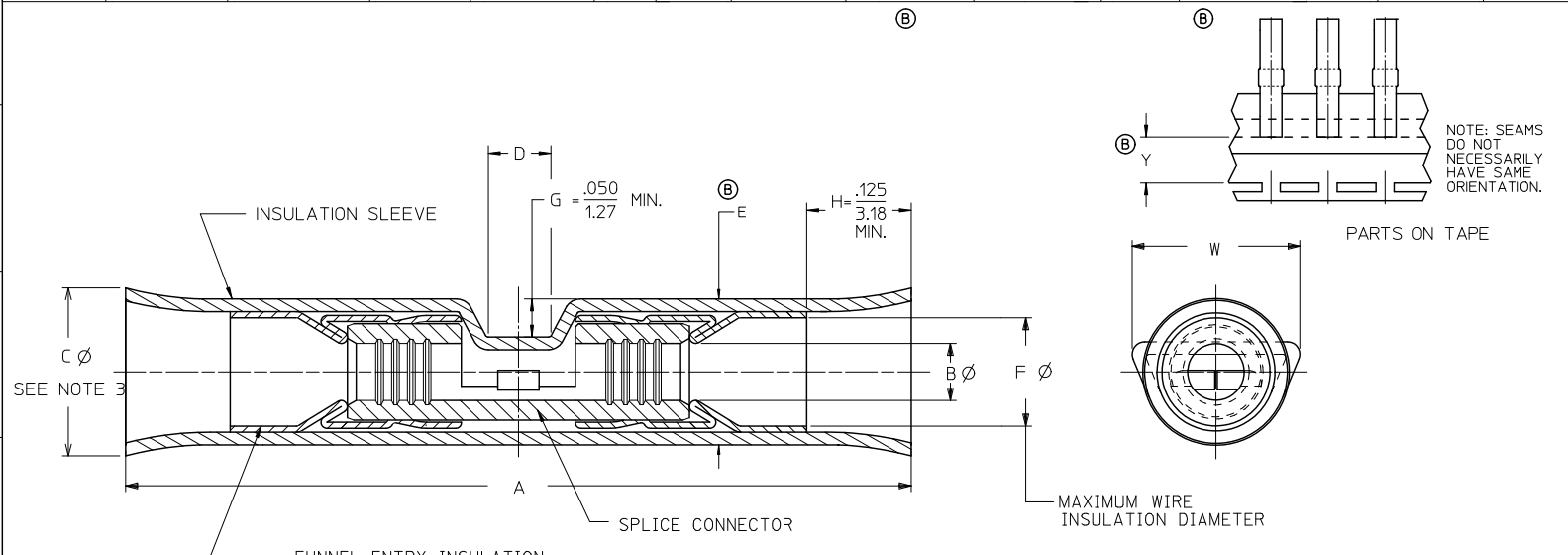


LOOSE PIECE		TAPE MOUNTED		WIRE AWG	INSUL COLOR	DIMENSIONS								
MATERIAL NO.	ENGINEERING P/N	MIL-T-7928/5 PART NO.	MATERIAL NO.			ENGINEERING P/N	A MAX.	B	C	D MIN.	E	F MIN.	W MAX.	Y NOMINAL
191990007	WA-840	M7928/5-3	191990008	WA-840T	22-18	RED	1.300/(33.02)	.052 TO .073 (1.32 TO 1.85)	.160 TO .220 (4.06 TO 5.59)	.08/(2.0)	.160 TO .210 (4.06 TO 5.33)	.11/(2.8)	.250/(6.35)	.48/(12.1)
191990009	WB-841	M7928/5-4	191990010	WB-841T	16-14	BLUE	1.300/(33.02)	.081 TO .095 (2.06 TO 2.41)	.180 TO .260 (4.57 TO 6.60)	.08/(2.0)	.180 TO .250 (4.57 TO 6.35)	.14/(3.6)	.290/(7.37)	.49/(12.4)
191990011	WC-842	M7928/5-5	-	-	12-10	YELLOW	1.700/(43.18)	.129 TO .139 (3.28 TO 3.53)	.250 TO .320 (6.35 TO 8.13)	.11/(2.8)	.250 TO .310 (6.35 TO 7.87)	.20/(5.1)	.340/(8.64)	-



NOTES:

- MATERIAL INSULATION: TRANSPARENT NYLON FERRULE: TIN PLATED COPPER ALLOY CONNECTOR: TIN PLATED COPPER
- PARTS ARE ROHS COMPLIANT.
- FLARE PERMISSIBLE, NOT REQUIRED.

ALLOW FLARE, MATCH MIL EC NO: WNA2011-0273 DRAWN BY: THRODAHL 2010/11/18 CHKD: JMACNEIL 2010/11/19 APPR: JMACNEIL 2010/12/02	QUALITY SYMBOLS ▽=0 ▽=0	GENERAL TOLERANCES (UNLESS SPECIFIED)		DIMENSION STYLE	SCALE	DESIGN UNITS	THIRD ANGLE PROJECTION
		mm	INCH	IN/MM	---	INCH	
		4 PLACES	± --- ± ---	DRAWN BY	DATE	TITLE	
		3 PLACES	± --- ± ---	RCM	1993/03/04	AVIKRIMP WINDOW BUTT SPLICE	
		2 PLACES	± --- ± ---	CHECKED BY	DATE		
		1 PLACE	± --- ± ---	JM	1993/03/04		
		ANGULAR ± --- °		APPROVED BY	DATE		
		DRAFT WHERE APPLICABLE MUST REMAIN WITHIN DIMENSIONS		JMACNEIL	2010/12/02		
		SEE CHART		MATERIAL NO.	DOCUMENT NO.	SHEET NO.	
		SIZE B		THIS DRAWING CONTAINS INFORMATION THAT IS PROPRIETARY TO MOLEX INCORPORATED AND SHOULD NOT BE USED WITHOUT WRITTEN PERMISSION		1 OF 1	