

4

3

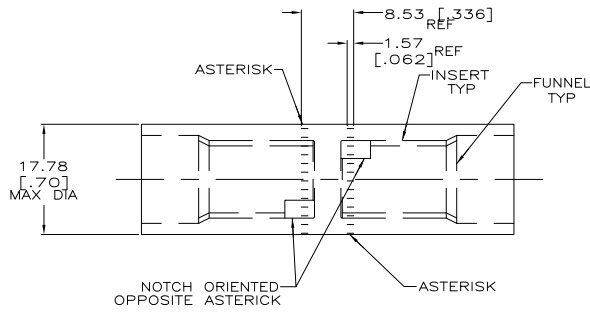
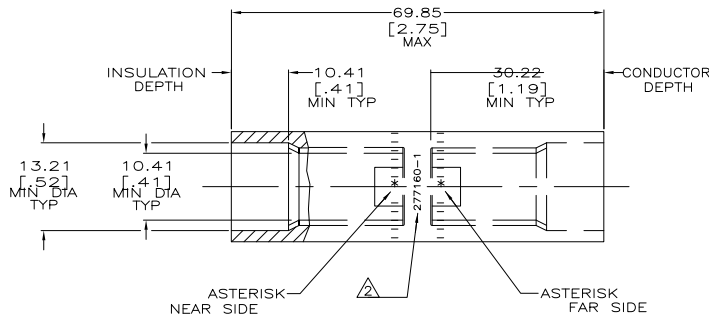
2

1

THIS DRAWING IS UNPUBLISHED. RELEASED FOR PUBLICATION
 © COPYRIGHT BY TYCO ELECTRONICS CORPORATION. ALL RIGHTS RESERVED.

LOC		DIST		REVISIONS		
P	LTR	DESCRIPTION	DATE	BY	APPD	
G	86	M	REV PER ECR 08-004875	26FEB08	JR MS	

1 WIRE INSULATION: 10.79[.425] - 11.94[.470] DIA
 △ STAMP " 277160-1 AMP 1/0 AL - 2CU"
 APPROX AS SHOWN



SPLICE: COPPER ASTM B-187 TIN PL ASTM B 545 0.00381[.000150] MIN THK INSERT & FUNNEL: BRASS ASTM B36 NICKEL PL SAE AMS QQ-N-290A, DATED JULY 2000, 0.00254 [0.000100] MIN THK	277160-1
MATERIAL & FINISH	PART NO.

THIS DRAWING IS A CONTROLLED DOCUMENT.		CHK: SCHRUM 7/5/99	Tyco Electronics Corporation Harrisburg, PA 17105-3608	
CR REVISIONS: MM (INCHES)	BY	DATE	NAME	DESCRIPTION
0	PLC	5/7/90	MS FEHER	WIRE SPLICE, BUTT, SEALED COPALUM,
1	PLC	2/24/92	MS FEHER	55.5mm2 [1.70] ALUMINUM
2	PLC			34.3mm2 [2] COPPER
3	PLC			APPLICATION SPEC
4	PLC			114-2134
5	PLC			SIZE: 76.0 GRAMS A2 00779 C=277160
MATERIAL	FINISH	REVISIONS	SCALE	SHEET
SEE TABLE	SEE TABLE	CUSTOMER DRAWING	2:1	1 of 1

AMP 1471-9 REV 31MM2000

277160

A