

4

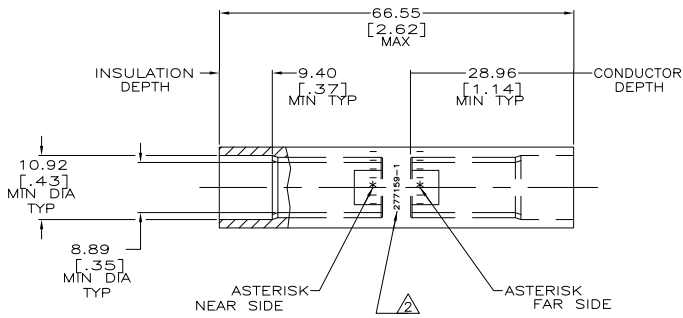
3

2

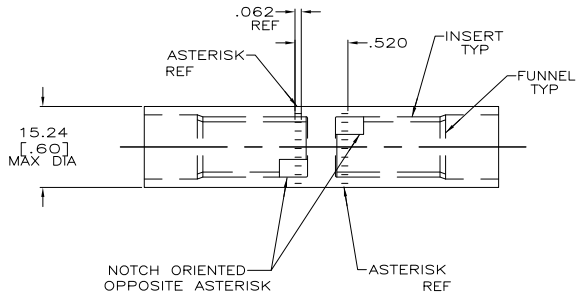
1

THIS DRAWING IS UNPUBLISHED. RELEASED FOR PUBLICATION BY TYCO ELECTRONICS CORPORATION. ALL RIGHTS RESERVED.

LOC	DIST	REVISIONS		
G	86	P	LTR	DATE
		L	REV PER ECR-08-004875	26FEB08
				JR MS



1 WIRE INSULATION: 8.64[.340] - 9.65[.380] DIA
 △ STAMP " 277159-1 AMP 2AL-4CU"
 APPROX AS SHOWN



SPLICE: COPPER ASTM B-187 TIN PL B-545 0.00381[.000150] MIN THK INSERT & FUNNEL: BRASS ASTM B36 NICKEL PL SAE AMS QQ-N-290A, DATED JULY 2000, 0.00254 [.000100] MIN THK	277159-1
MATERIAL & FINISH	PART NO.

THIS DRAWING IS A CONTROLLED DOCUMENT.		DRK SCHURM 7/5/99	Tyco Electronics Corporation	
DIMENSIONS:		MS FISHER 5/1/90	Harrisburg, PA 17105-3608	
MM (INCHES)	DRYER'S DIMENSIONS OTHERWISE SPECIFIED:	MS RHODES 5/1/90	WIRE SPLICE, BUTT, SEALED COPALUM,	
0 PLC # -	1 PLC # -	2 PLC # -	3 PLC # -	4 PLC # -
0 ANGLE # -	1 ANGLE # -	2 ANGLE # -	3 ANGLE # -	4 ANGLE # -
MATERIAL	FINISH	108-11011	35.0mm2 [2] ALUMINUM	22.0mm2 [4] COPPER
SEE TABLE	SEE TABLE	114-2134	SIZE	QAGE CODE
		50.3 GRAMS	A2	00779
		CUSTOMER DRAWING	C=277159	RESTRICTED TO
			SCALE	2:1
			SHEET	1 of 1
			REV	L

AMP 1471-9 REV 31MM2000

277159

A