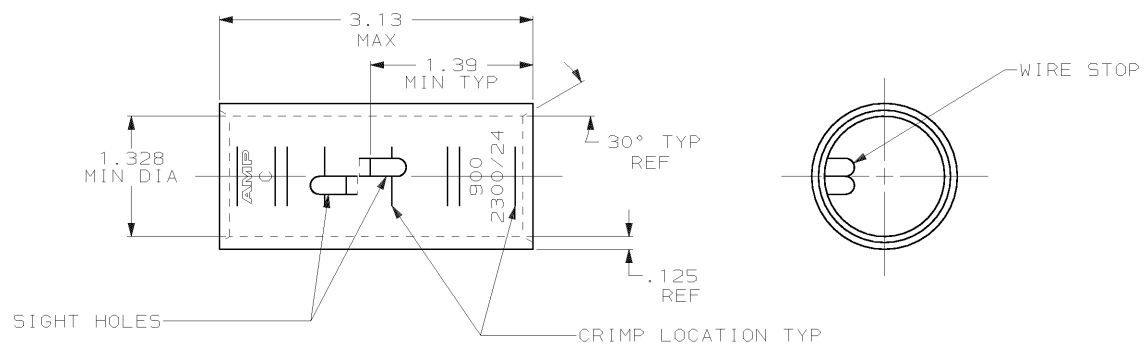


DRAWING MADE IN THIRD ANGLE PROJECTION

THIS DRAWING IS UNPUBLISHED. RELEASED FOR PUBLICATION, 19
 © COPYRIGHT 19 BY AMP INCORPORATED. ALL INTERNATIONAL RIGHTS RESERVED.

LOC	DIST	REVISIONS				
P	F	ZONE	LTR	DESCRIPTION	DATE	APPD
G	86		M	REV PER 063A-0637-01	03OCT02	JR/MS



1 TIN PL .000150 MIN THK MIL-T-10727

CLEANED	850-950	COPPER	1-324470-0
FINISH	MCM	ASTM-B-75	324470
	WIRE RANGE	ANNEALED	PART NO
DO NOT SCALE PRINT. UNLESS SPECIFIED DIMENSIONS IN INCHES TOLERANCES ON:	DR 4/24/89 DK SCHULTZ	AMP INCORPORATED Harrisburg, Pa. 17105	
2. PLC DEC ± -	CHK 4/24/89 MSFEHER		
3. PLC DEC ± -	APPD 11/8/89	NAME SPLICE, BUTT, AMPPOWER WIRE SIZE: 900 MCM	
ANGLES ± -	APPD 11/8/89 TL SHUTTER		
MATERIAL	PRODUCT SPEC	SIZE	FSCM NO
SEE TABLE	-	B	00779
FINISH	APPLICATION SPEC	DRAWING NO	324470
SEE TABLE	-	SCALE	1:1
	WEIGHT .575 LB.	SHEET	1 OF 1

CUSTOMER DRAWING