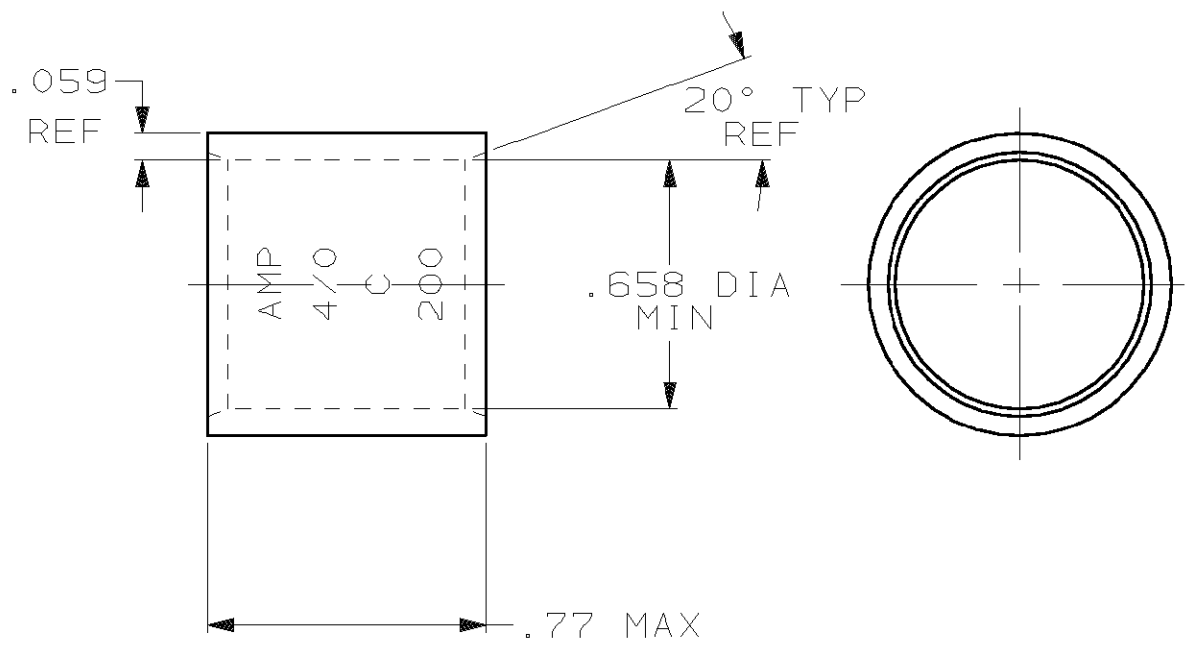




LOC G	DIST 86	P	F	REVISIONS			
				LTR	DESCRIPTION	DATE	APPROVED
				D	REV PER OG3A-0637-01	030CT02	JR/MS

THIS DRAWING IS UNPUBLISHED. RELEASED FOR PUBLICATION BY AMP INCORPORATED. ALL INTERNATIONAL RIGHTS RESERVED. © COPYRIGHT 19



OBSOLETE	CLEANED	1-324446-0
	TIN PL MIL-T-10727 .000150 MIN THK	324446
	FINISH	PART NO

DO NOT SCALE PRINT. UNLESS SPECIFIED DIMENSIONS IN INCHES TOLERANCES ON: 2 PLC DEC ± - 3 PLC DEC ± - ANGLES ± -	DR 1/16/89 P FORTNEY	AMP INCORPORATED Harrisburg, Pa. 17105		
	CHK 6/20/89 MS FEHER			
MATERIAL COPPER ASTM-B-75 ANNEALED	APPD 6/20/89 WJ VOCKROTH	NAME WIRE SPLICE, PARALLEL, AMPOWER, WIRE SIZE: 4/0		
	APPD 6/20/89 R ADAMS			
FINISH SEE TABLE	PRODUCT SPEC -	SIZE <b>A</b>	FSCM NO 00779	DRAWING NO 324446
	APPLICATION SPEC -	SCALE 2:1	SHEET 1 OF 1	
	WEIGHT .033 LB.			

