

4

3

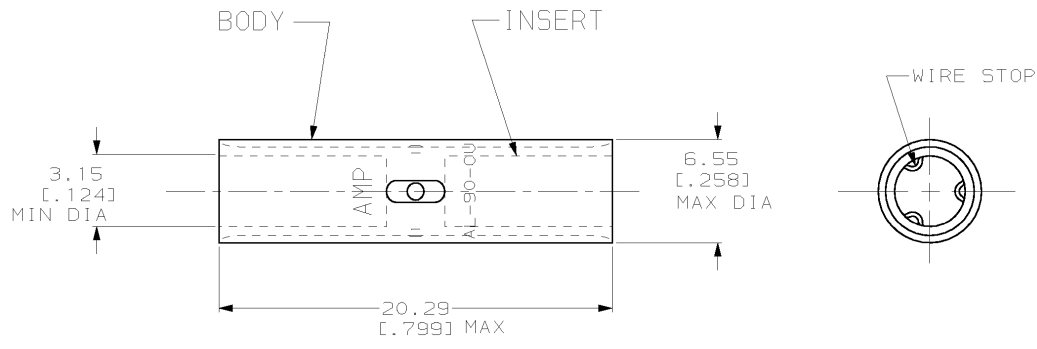
2

1

THIS DRAWING IS UNPUBLISHED. RELEASED FOR PUBLICATION .19 . . .
 © COPYRIGHT 19 BY AMP INCORPORATED. ALL RIGHTS RESERVED.

LOC	DIST	REVISIONS				
P	LTR	DESCRIPTION	DATE	DWN	APVD	
G	86	E	REDRAWN PER 0G3A-0746-00	21NOV00	JR MS	

1 MAXIMUM LENGTH DOES NOT INCLUDE MANUFACTURING TABS.
 2 PRELIMINARY - NOT FOR PRODUCTION



QTY	DESCRIPTION	PART NO.	MATERIAL & FINISH
2500	WIRE SPLICE ON TAPE	52004-1	BODY: COPPER PER ASTM B-152, TIN PLATE PER ASTM B 545
1	WIRE SPLICE	52004	[INSERT: BRASS (MIL-C-50) TIN PL. ASTM B 545,

THIS DRAWING IS A CONTROLLED DOCUMENT.

DIMENSIONS: MM (INCHES)	TOLERANCES UNLESS OTHERWISE SPECIFIED:	DWN: JR RUTH 21NOV00	AMP AMP Incorporated Harrisburg, PA 17105-3608
0 PLC ±-	1 PLC ±-	CHK: M SPICER 21NOV00	
1 PLC ±-	2 PLC ±0.20 [0.008]	APVD: M SPICER 21NOV00	
2 PLC ±-	3 PLC ±-	NAME: WIRE SPLICE, COPALUM-STRANDED/SOLID, WIRE SIZE: 12-10	
3 PLC ±-	4 PLC ±-	PRODUCT SPEC: -	RESTRICTED TO: -
MATERIAL: SEE TABLE	FINISH: SEE TABLE	APPLICATION SPEC: -	SIZE: A3 CAGE CODE: 00779 DRAWING NO: 52004
		WEIGHT: -	SCALE: 5:1 SHEET: 1 OF 1 REV: E

CUSTOMER DRAWING