

4

3

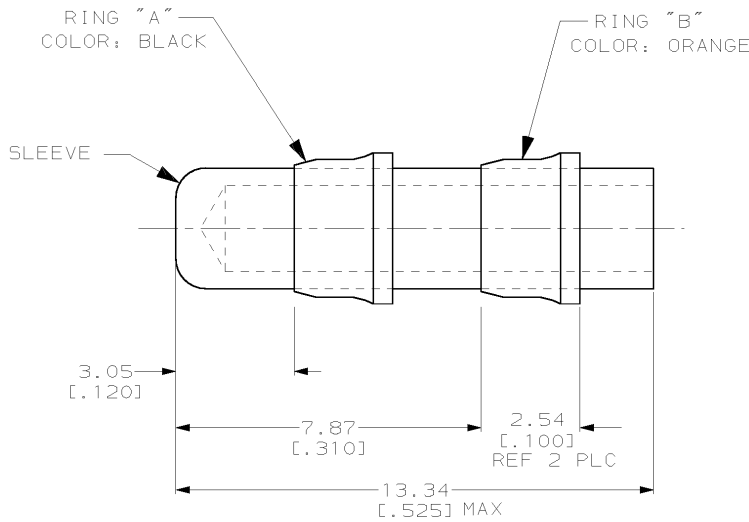
2

1

THIS DRAWING IS UNPUBLISHED. RELEASED FOR PUBLICATION .19 . . .  
 © COPYRIGHT 19 BY AMP INCORPORATED. ALL RIGHTS RESERVED.

LOC	DIST	REVISIONS				
P	LTR	DESCRIPTION	DATE	DWN	APVD	
G	14	E	REV PER 063A-0541-00	25SEP00	JR	TM

1 WIRE INSULATION DIA IS 1.90-2.21  
 [.075-.087]



TEFLON ASTM D-1710		SLEEVE	
COPPER PER ASTM B152 / NICKEL PL PER QQ-N-290		RING "B"	
COPPER PER ASTM B152 / NICKEL PL PER QQ-N-290		RING "A"	
MATERIAL / FINISH		DESCRIPTION	
THIS DRAWING IS A CONTROLLED DOCUMENT.		DWN JR RUTH 31MAY00 CHK JR HERSEY 31MAY00 APVD T MICHELUTTI 31MAY00 <b>AMP</b> AMP Incorporated Harrisburg, PA 17105-3608	
DIMENSIONS: MM (INCHES)	TOLERANCES UNLESS OTHERWISE SPECIFIED:	PRODUCT SPEC	PRE-INSULATED SPARE WIRE CAP
0 PLC ±-	1 PLC ±-	APPLICATION SPEC	RESTRICTED TO
2 PLC ±0, 40 [.015]	3 PLC ±-	WEIGHT	A3 00779 C- 328859
4 PLC ±-	ANGLES ±-	SIZE CAGE CODE DRAWING NO	SCALE 10:1 SHEET 1 OF 1 REV E
MATERIAL SEE TABLE	FINISH SEE TABLE	CUSTOMER DRAWING	

AMP 1470-19 REV 11 JUN97

25-SEP-00 13:54:37 amp13469 /home/amp13469/edmod