

4

3

2

1

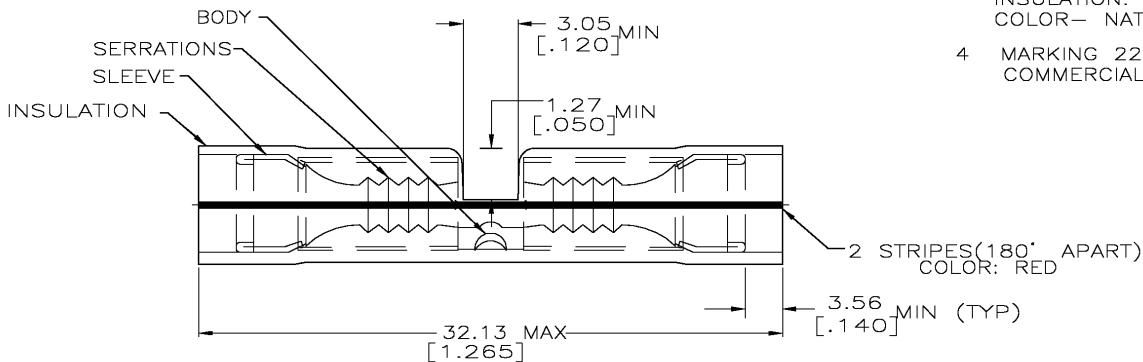
THIS DRAWING IS UNPUBLISHED. RELEASED FOR PUBLICATION
 © COPYRIGHT - BY TYCO ELECTRONICS CORPORATION. ALL RIGHTS RESERVED.

LOC	DIST	REVISIONS			
P	LTR	DESCRIPTION	DATE	DWN	APVD
	K	REV PER OG3A-0582-04	31AUG04	JR	TM

AMP
WIRE RANGE

22-16 AWG
STRANDED

- 1 WIRE INSULATION DIA 2.03 [.080] TO 3.18 [.125].
- 2 FINISH: BODY AND SLEEVE: TIN/LEAD (93-7) PLATE PER ASTM B545. (3% MIN LEAD CONTENT)
- 3 MATERIAL: BODY AND SLEEVE, COPPER PER ASTM B152 INSULATION: PVF² COLOR- NATURAL
- 4 MARKING 22-18 FOR MILITARY; COMMERCIAL RANGE 22-16



-	25	LOOSE PIECE, BOX	8-53548-3
M7928/6-3 CLASS 2	2500	ON TAPE	53548-2
M7928/6-3 CLASS 1 & 2	1000	LOOSE PIECE	53548-1
MILITARY PART NUMBER & CLASS PER MIL-T-7928	QTY	PACKAGE TYPE	PART NO.

AMP INCORPORATED CUSTOMER SERVICE SYSTEMS		MAX RECOMMENDED OPERATING TEMPERATURE: 150°C	THIS DRAWING IS A CONTROLLED DOCUMENT.		DWN S.S. GOULDEN 9-28-93	tyco Electronics Tyco Electronics Corporation Harrisburg, Pa 17105-3608
FOR ADDITIONAL PRODUCT INFORMATION OR COPIES OF DRAWINGS AND TECHNICAL DOCUMENTS 1-800-522-6752	PRODUCT INFORMATION CENTER	VOLTAGE RATING: -	DIMENSIONS: MM [INCHES]	TOLERANCES UNLESS OTHERWISE SPECIFIED: 0 PLC ± - 1 PLC ± - 2 PLC ± 0.20 [008] 3 PLC ± - 4 PLC ± - ANGLES ± -	CHK R. HERSEY 9-28-93	
FOR APPLICATION TOOLING ASSISTANCE CENTER 1-800-722-1111	TOOLING ASSISTANCE CENTER	CIRCULAR MIL AREA: 0.26-1.85mm² [509-3,260] STRANDED	MATERIAL		APVD M. ELLIS 9-28-93	PRODUCT SPEC 108-11023
FOR ORDER ENTRY 1-800-526-5142	TOOLING INFORMATION	THIS DRAWING IS A CONTROLLED DOCUMENT FOR AMP INCORPORATED. IT IS SUBJECT TO CHANGE AND THE CONTROLLING ENGINEERING ORGANIZATION SHOULD BE CONTACTED FOR THE LATEST REVISION.		FINISH	APPLICATION SPEC	SIZE A3
AMP 1470-19 REV 31MAR2000					WEIGHT	CAGE CODE 00779
						DRAWING NO C-53548
						RESTRICTED TO
						CUSTOMER DRAWING
						SCALE 1:1
						SHEET 1 OF 1
						REV K